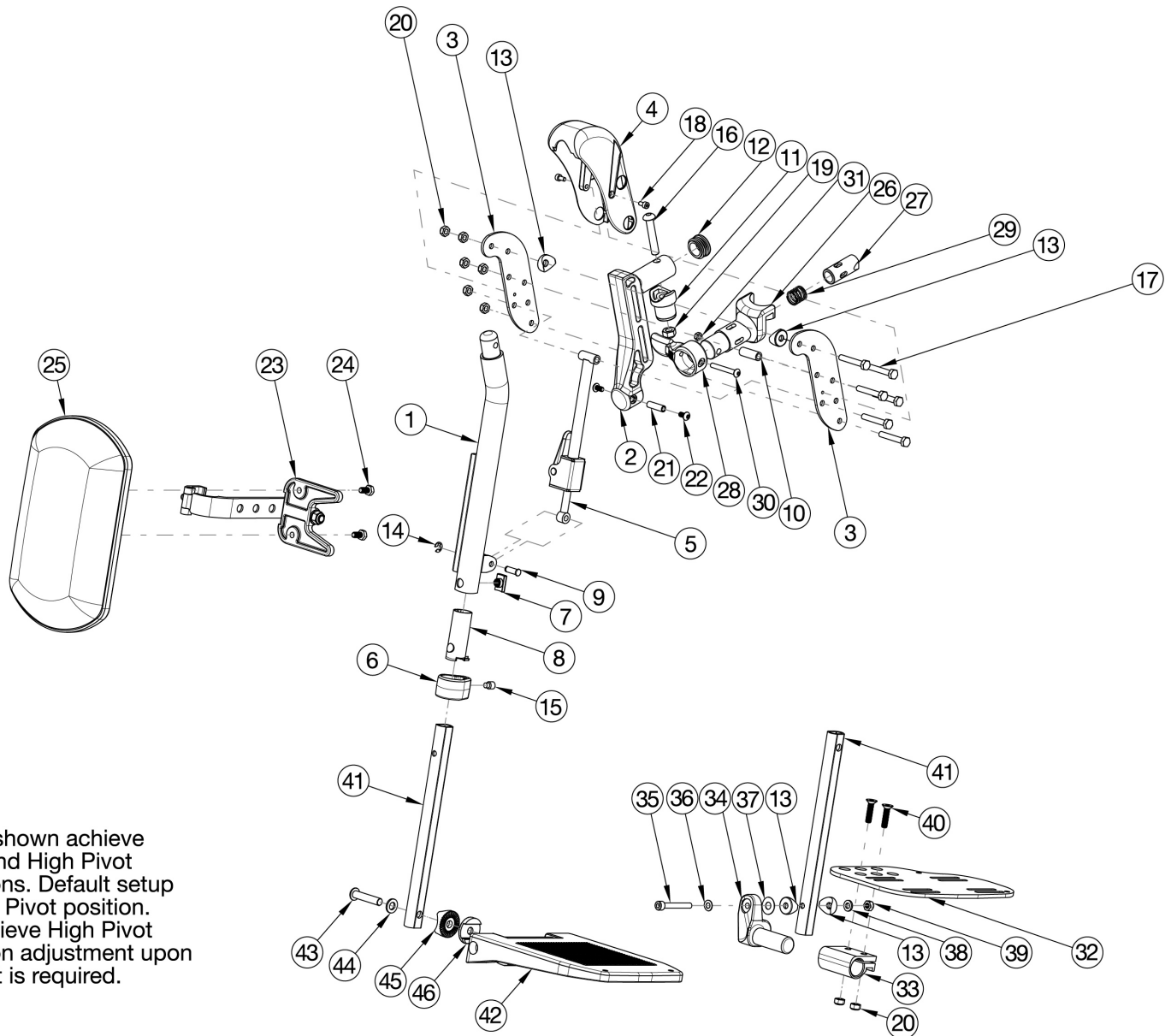


Liberty Pro Elevating Leg Rest



Parts shown achieve Low and High Pivot positions. Default setup is Low Pivot position. To achieve High Pivot position adjustment upon receipt is required.

Seat to Footrest Length range for Short Extension is 8.5" - 17". Seat to Footrest Length range for Long Extension is 11.5" - 19". If chair was built with a fixed front frame or hangers were omitted, then latch blocks need to be ordered with ELRs. Please reference the "Seat Frame" parts manual page.

Item Number	Part Number	Description	Quantity
1a, 1b, 2-24, 25b, 26b, 27b, 28b, 29-31, 41a, 47a, 48	110567	Pro ELR Assembly 14, Composite Footplate, Short Ext, 4-Way Out Release, Pair	1
1a, 1b, 2-24, 25a, 26b, 27b, 28b, 29-31, 41a, 47a, 48	110568	Pro ELR Assembly 15, Composite Footplate, Short Ext, 4-Way Out Release, Pair	1

Item Number	Part Number	Description	Quantity
1a, 1b, 2-24, 25a, 26b, 27b, 28b, 29-31, 41a, 47b, 48	110569	Pro ELR Assembly 16-17, Composite Footplate, Short Ext, 4-Way Out Release, Pair	1
1a, 1b, 2-24, 25a, 26b, 27b, 28b, 29-31, 41a, 47c, 48	110570	Pro ELR Assembly 18-24, Composite Footplate, Short Ext, 4-Way Out Release, Pair	1
1a, 2-24, 25b, 26b, 27b, 28b, 29-31, 41a, 47a, 48	110551	Pro ELR Assembly 14, Composite Footplate, Short Ext, 4-Way Out Release, Right	1
1a, 2-24, 25a, 26b, 27b, 28b, 29-31, 41a, 47a, 48	110552	Pro ELR Assembly 15, Composite Footplate, Short Ext, 4-Way Out Release, Right	1
1a, 2-24, 25a, 26b, 27b, 28b, 29-31, 41a, 47b, 48	110553	Pro ELR Assembly 16-17, Composite Footplate, Short Ext, 4-Way Out Release, Right	1
1a, 2-24, 25a, 26b, 27b, 28b, 29-31, 41a, 47c, 48	110554	Pro ELR Assembly 18-24, Composite Footplate, Short Ext, 4-Way Out Release, Right	1
1b, 2-24, 25b, 26b, 27b, 28b, 29-31, 41a, 47a, 48	110535	Pro ELR Assembly 14, Composite Footplate, Short Ext, 4-Way Out Release, Left	1
1b, 2-24, 25a, 26b, 27b, 28b, 29-31, 41a, 47a, 48	110536	Pro ELR Assembly 15, Composite Footplate, Short Ext, 4-Way Out Release, Left	1
1b, 2-24, 25a, 26b, 27b, 28b, 29-31, 41a, 47b, 48	110537	Pro ELR Assembly 16-17, Composite Footplate, Short Ext, 4-Way Out Release, Left	1
1b, 2-24, 25a, 26b, 27b, 28b, 29-31, 41a, 47c, 48	110538	Pro ELR Assembly 18-24, Composite Footplate, Short Ext, 4-Way Out Release, Left	1
1a, 1b, 2-24, 25b, 26b, 27b, 28b, 29-31, 41b, 47a, 48	110575	Pro ELR Assembly 14, Composite Footplate, Long Ext, 4-Way Out Release, Pair	1
1a, 1b, 2-24, 25a, 26b, 27b, 28b, 29-31, 41b, 47a, 48	110576	Pro ELR Assembly 15, Composite Footplate, Long Ext, 4-Way Out Release, Pair	1
1a, 1b, 2-24, 25a, 26b, 27b, 28b, 29-31, 41b, 47b, 48	110577	Pro ELR Assembly 16-17, Composite Footplate, Long Ext, 4-Way Out Release, Pair	1
1a, 1b, 2-24, 25a, 26b, 27b, 28b, 29-31, 41b, 47c, 48	110578	Pro ELR Assembly 18-24, Composite Footplate, Long Ext, 4-Way Out Release, Pair	1

Item Number	Part Number	Description	Quantity
1a, 2-24, 25b, 26b, 27b, 28b, 29-31, 41b, 47a, 48	110559	Pro ELR Assembly 14, Composite Footplate, Long Ext, 4-Way Out Release, Right	1
1a, 2-24, 25a, 26b, 27b, 28b, 29-31, 41b, 47a, 48	110560	Pro ELR Assembly 15, Composite Footplate, Long Ext, 4-Way Out Release, Right	1
1a, 2-24, 25a, 26b, 27b, 28b, 29-31, 41b, 47b, 48	110561	Pro ELR Assembly 16-17, Composite Footplate, Long Ext, 4-Way Out Release, Right	1
1a, 2-24, 25a, 26b, 27b, 28b, 29-31, 41b, 47c, 48	110562	Pro ELR Assembly 18-24, Composite Footplate, Long Ext, 4-Way Out Release, Right	1
1b, 2-24, 25b, 26b, 27b, 28b, 29-31, 41b, 47a, 48	110543	Pro ELR Assembly 14, Composite Footplate, Long Ext, 4-Way Out Release, Left	1
1b, 2-24, 25a, 26b, 27b, 28b, 29-31, 41b, 47a, 48	110544	Pro ELR Assembly 15, Composite Footplate, Long Ext, 4-Way Out Release, Left	1
1b, 2-24, 25a, 26b, 27b, 28b, 29-31, 41b, 47b, 48	110545	Pro ELR Assembly 16-17, Composite Footplate, Long Ext, 4-Way Out Release, Left	1
1b, 2-24, 25a, 26b, 27b, 28b, 29-31, 41b, 47c, 48	110546	Pro ELR Assembly 18-24, Composite Footplate, Long Ext, 4-Way Out Release, Left	1
1a, 1b, 2-24, 25a, 26b, 27b, 28b, 29-31, 41a, 42a, 43-46	504503	PRO ELR Assembly 15/16 Comp Angle Adj FP Short Ext 4-Way Out Release PAIR	1
1a, 1b, 2-24, 25a, 26b, 27b, 28b, 29-31, 41a, 42b, 43-46	504504	PRO ELR Assembly 17/18 Comp Angle Adj FP Short Ext 4-Way Out Release PAIR	1
1a, 1b, 2-24, 25a, 26b, 27b, 28b, 29-31, 41a, 42c, 43-46	504505	PRO ELR Assembly 19-22 Comp Angle Adj FP Short Ext 4-Way Out Release PAIR	1
1a, 2-24, 25a, 26b, 27b, 28b, 29-31, 41a, 42a, 43-46	504491	PRO ELR Assembly 15/16 Comp Angle Adj FP Short Ext 4-Way Out Release Right	1
1a, 2-24, 25a, 26b, 27b, 28b, 29-31, 41a, 42b, 43-46	504492	PRO ELR Assembly 17/18 Comp Angle Adj FP Short Ext 4-Way Out Release Right	1

Item Number	Part Number	Description	Quantity
1a, 2-24, 25a, 26b, 27b, 28b, 29-31, 41a, 42c, 43-46	504493	PRO ELR Assembly 19-22 Comp Angle Adj FP Short Ext 4-Way Out Release Right	1
1b, 2-24, 25a, 26b, 27b, 28b, 29-31, 41a, 42a, 43-46	504479	PRO ELR Assembly 15/16 Comp Angle Adj FP Short Ext 4-Way Out Release Left	1
1b, 2-24, 25a, 26b, 27b, 28b, 29-31, 41a, 42b, 43-46	504480	PRO ELR Assembly 17/18 Comp Angle Adj FP Short Ext 4-Way Out Release Left	1
1b, 2-24, 25a, 26b, 27b, 28b, 29-31, 41a, 42c, 43-46	504481	PRO ELR Assembly 19-22 Comp Angle Adj FP Short Ext 4-Way Out Release Left	1
1a, 1b, 2-24, 25a, 26b, 27b, 28b, 29-31, 41b, 42a, 43-46	504509	PRO ELR Assembly 15/16 Comp Angle Adj FP Long Ext 4-Way Out Release PAIR	1
1a, 1b, 2-24, 25a, 26b, 27b, 28b, 29-31, 41b, 42b, 43-46	504510	PRO ELR Assembly 17/18 Comp Angle Adj FP Long Ext 4-Way Out Release PAIR	1
1a, 1b, 2-24, 25a, 26b, 27b, 28b, 29-31, 41b, 42c, 43-46	504511	PRO ELR Assembly 19-22 Comp Angle Adj FP Long Ext 4-Way Out Release PAIR	1
1a, 2-24, 25a, 26b, 27b, 28b, 29-31, 41b, 42a, 43-46	504497	PRO ELR Assembly 15/16 Comp Angle Adj FP Long Ext 4-Way Out Release Right	1
1a, 2-24, 25a, 26b, 27b, 28b, 29-31, 41b, 42b, 43-46	504498	PRO ELR Assembly 17/18 Comp Angle Adj FP Long Ext 4-Way Out Release Right	1
1a, 2-24, 25a, 26b, 27b, 28b, 29-31, 41b, 42c, 43-46	504499	PRO ELR Assembly 19-22 Comp Angle Adj FP Long Ext 4-Way Out Release Right	1
1b, 2-24, 25a, 26b, 27b, 28b, 29-31, 41b, 42a, 43-46	504485	PRO ELR Assembly 15/16 Comp Angle Adj FP Long Ext 4-Way Out Release Left	1
1b, 2-24, 25a, 26b, 27b, 28b, 29-31, 41b, 42b, 43-46	504486	PRO ELR Assembly 17/18 Comp Angle Adj FP Long Ext 4-Way Out Release Left	1
1b, 2-24, 25a, 26b, 27b, 28b, 29-31, 41b, 42c, 43-46	504487	PRO ELR Assembly 19-22 Comp Angle Adj FP Long Ext 4-Way Out Release Left	1

Item Number	Part Number	Description	Quantity
1a, 1b, 2-24, 25b, 26b, 27b, 28b, 29-31, 32a, 32b, 33, 34a, 34b, 35-40, 41a	504548	PRO ELR Assembly 14 Angle Adj FP Short Ext 4-Way Out Release PAIR	1
1a, 1b, 2-24, 25a, 26b, 27b, 28b, 29-31, 32a, 32b, 33, 34a, 34b, 35-40, 41a	504549	PRO ELR Assembly 15 Angle Adj FP Short Ext 4-Way Out Release PAIR	1
1a, 1b, 2-24, 25a, 26b, 27b, 28b, 29-31, 32c, 32d, 34a, 33, 34b, 35-40, 41a	504550	PRO ELR Assembly 16/17 Angle Adj FP Short Ext 4-Way Out Release PAIR	1
1a, 1b, 2-24, 25a, 26b, 27b, 28b, 29-31, 32e, 32f, 33, 34a, 34b, 35-40, 41a	504551	PRO ELR Assembly 18-24 Angle Adj FP Short Ext 4-Way Out Release PAIR	1
1a, 2-24, 25b, 26b, 27b, 28b, 29-31, 32b, 33, 34a, 35-40, 41a	504532	PRO ELR Assembly 14 Angle Adj FP Short Ext 4-Way Out Release Right	1
1a, 2-24, 25a, 26b, 27b, 28b, 29-31, 32b, 33, 34a, 35-40, 41a	504533	PRO ELR Assembly 15 Angle Adj FP Short Ext 4-Way Out Release Right	1
1a, 2-24, 25a, 26b, 27b, 28b, 29-31, 32d, 33, 34a, 35-40, 41a	504535	PRO ELR Assembly 16/17 Angle Adj FP Short Ext 4-Way Out Release Right	1
1a, 2-24, 25a, 26b, 27b, 28b, 29-31, 32f, 33, 34a, 35-40, 41a	504536	PRO ELR Assembly 18-24 Angle Adj FP Short Ext 4-Way Out Release Right	1
1b, 2-24, 25b, 26b, 27b, 28b, 29-31, 32a, 33, 34b, 35-40, 41a	504516	PRO ELR Assembly 14 Angle Adj FP Short Ext 4-Way Out Release Left	1
1b, 2-24, 25a, 26b, 27b, 28b, 29-31, 32a, 33, 34b, 35-40, 41a	504517	PRO ELR Assembly 15 Angle Adj FP Short Ext 4-Way Out Release Left	1
1b, 2-24, 25a, 26b, 27b, 28b, 29-31, 32c, 33, 34b, 35-40, 41a	504518	PRO ELR Assembly 16/17 Angle Adj FP Short Ext 4-Way Out Release Left	1

Item Number	Part Number	Description	Quantity
1b, 2-24, 25a, 26b, 27b, 28b, 29-31, 32e, 33, 34b, 35-40, 41a	504519	PRO ELR Assembly 18-24 Angle Adj FP Short Ext 4-Way Out Release Left	1
1a, 1b, 2-24, 25b, 26b, 27b, 28b, 29-31, 32a, 32b, 33, 34a, 34b, 35-40, 41b	504556	PRO ELR Assembly 14 Angle Adj FP Long Ext 4-Way Out Release PAIR	1
1a, 1b, 2-24, 25a, 26b, 27b, 28b, 29-31, 32a, 32b, 33, 34a, 34b, 35-40, 41b	504557	PRO ELR Assembly 15 Angle Adj FP Long Ext 4-Way Out Release PAIR	1
1a, 1b, 2-24, 25a, 26b, 27b, 28b, 29-31, 32c, 32d, 33, 34a, 34b, 35-40, 41b	504558	PRO ELR Assembly 16/17 Angle Adj FP Long Ext 4-Way Out Release PAIR	1
1a, 1b, 2-24, 25a, 26b, 27b, 28b, 29-31, 32e, 32f, 33, 34a, 34b, 35-40, 41b	504559	PRO ELR Assembly 18-24 Angle Adj FP Long Ext 4-Way Out Release PAIR	1
1a, 2-24, 25b, 26b, 27b, 28b, 29-31, 32b, 33, 34a, 35-40, 41b	504541	PRO ELR Assembly 14 Angle Adj FP Long Ext 4-Way Out Release Right	1
1a, 2-24, 25a, 26b, 27b, 28b, 29-31, 32b, 33, 34a, 35-40, 41b	504542	PRO ELR Assembly 15 Angle Adj FP Long Ext 4-Way Out Release Right	1
1a, 2-24, 25a, 26b, 27b, 28b, 29-31, 32d, 33, 34a, 35-40, 41b	504534	PRO ELR Assembly 16/17 Angle Adj FP Long Ext 4-Way Out Release Right	1
1a, 2-24, 25a, 26b, 27b, 28b, 29-31, 32f, 33, 34a, 35-40, 41b	504543	PRO ELR Assembly 18-24 Angle Adj FP Long Ext 4-Way Out Release Right	1
1b, 2-24, 25b, 26b, 27b, 28b, 29-31, 32a, 33, 34b, 35-40, 41b	504524	PRO ELR Assembly 14 Angle Adj FP Long Ext 4-Way Out Release Left	1
1b, 2-24, 25a, 26b, 27b, 28b, 29-31, 32a, 33, 34b, 35-40, 41b	504525	PRO ELR Assembly 15 Angle Adj FP Long Ext 4-Way Out Release Left	1

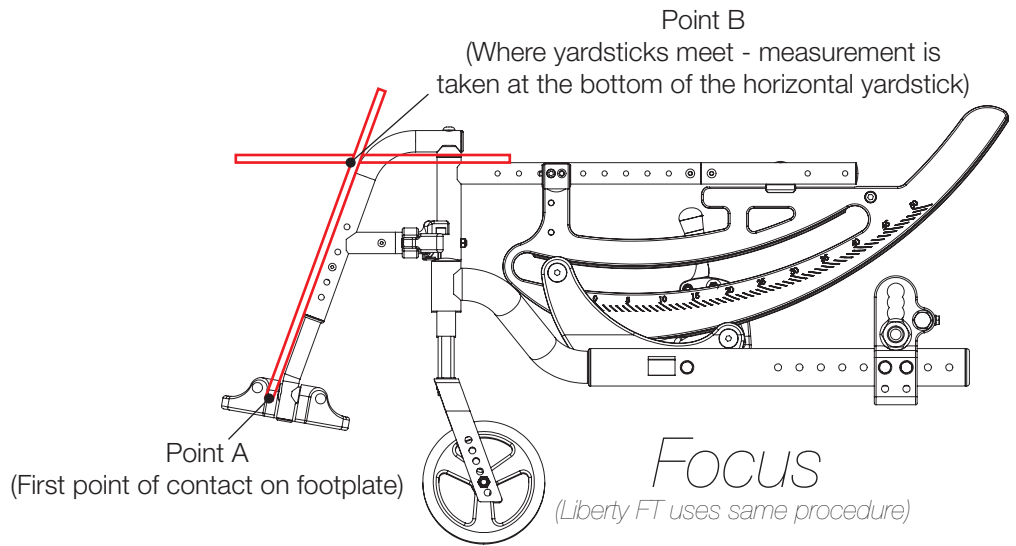
Item Number	Part Number	Description	Quantity
1b, 2-24, 25a, 26b, 27b, 28b, 29-31, 32c, 33, 34b, 35-40, 41b	504526	PRO ELR Assembly 16/17 Angle Adj FP Long Ext 4-Way Out Release Left	1
1b, 2-24, 25a, 26b, 27b, 28b, 29-31, 32e, 33, 34b, 35-40, 41b	504527	PRO ELR Assembly 18-24 Angle Adj FP Long Ext 4-Way Out Release Left	1
1a, 2-22, 26b, 27b, 28b, 29 - 31	506827	PRO ELR Upper Assembly with 4-Way Out Hanger Release Right	1
1b, 2-22, 26b, 27b, 28b, 29 - 31	506828	PRO ELR Upper Assembly with 4-Way Out Hanger Release Left	1
26b, 27b, 28b, 29 - 31	003642INST	Assembled 4-Way Out Hanger Release, Right with Instruction	1
26b, 27b, 28b, 29 - 31	003643INST	Assembled 4-Way Out Hanger Release, Left with Instruction	1
1a, 2-20	003342	Pro ELR Upper Assembly, Right	1
1b, 2-20	003343	Pro ELR Upper Assembly, Left	1
4, 18	504473	Cover Kit, Adjustable PRO ELR	1
6-8,15	504475	Footrest Adjustment Kit, Adj PRO ELR	1
3	003121	Side Plate, Pro ELR	1
4	003122	Cover, Pro ELR	1
5	115767	Lock Rod Assembly, Pro ELR w/ Instructions	1
6	003190	Clamp, Footrest Extension	1
7	003191	Mandrel, Footrest Extension	1
8	003140	Sleeve, Footrest Extension	1
9	003131	Clevis Pin, 6mm x .64L	1
10	003123	Spacer, .375OD x .242ID x 1.030LG	1
11	000032	Footrest Hanger Pivot Saddle	1
12	100804	Tube End Plug 1"	1
13	000053	Saddle 3/4"	4
14	102822	E-Ring, M6, YZ	1
15	103009	M8 x 12 Dog Pt Set Screw Blk ZN	1
16	100673	M8 x 45 BTN SHCS BLKZC	1

Item Number	Part Number	Description	Quantity
17	102940	M6 x 38 HHCS, 8mm THD, BLK ZN	6
18	102800	M4 x 8mm SHCS Blk Zn	2
19	100659	M8 Nylock Nut Blk Zn	1
20	100658	M6 Nylock Nut Blk Zn	6
21	000073	M5 x 24 Threaded Barrel	1
22	100669	M5 x 10 BTN SHCS BLKZC w/Patch	2
23	003344	Pro ELR Calf Pad Bracket Assembly	1
24	101823	M6 X 20 Hhcs Blk Zn	2
25a	101585	Calf Pad	1
25b	101470	Pediatric Calf Pad	1
26	003226INST	Hanger Latch Bracket with 4-way Release Instruction	1
27	003227INST	Hanger Latch Pin with 4-Way Release Instruction	1
28	003228INST	Hanger Latch, 4-Way, Lever with Instruction	1
29	000119	Hanger Spring	1
30	001374	M5 x 40 BHCS P/THD BLKZC	1
31	100657	M5 Nylock Nut Blk Zn	1
32a	000105	Footplate Angle Adjustable 14-15" Wide CAT/TILT Left (Std ELR Right)	1
32b	000106	Footplate Angle Adjustable 14-15" Wide CAT/TILT Right (Std ELR Left)	1
32c	000107	Footplate Angle Adjustable 16-17" Wide CAT/TILT Left (Std ELR Right)	1
32d	000108	Footplate Angle Adjustable 16-17" Wide CAT/TILT Right (Std ELR Left)	1
32e	000109	Footplate Angle Adjustable 18-24" Wide CAT/TILT Left (Std ELR Right)	1
32f	000110	Footplate Angle Adjustable 18-24" Wide CAT/TILT Right (Std ELR Left)	1
33	100502	Angle Adj Footplate Clamp 2"	1
34a	000047	Footplate Angle Adjustable Casting 3/4 Right	1
34b	000049	Footplate Angle Adjustable Casting 3/4" Left	1
35	101472	M6 x 45 SHCS BLK ZC	1
36	101455	M6 Belleville Washer (.252 x .551 x .050)	1

Item Number	Part Number	Description	Quantity
37	000428	Wear Washer	1
38	100746	M6 Flat Washer Blk Zn	1
39	120030	M6 Top Lock Nut	1
40	100662	M6 x 25 FSHCS BLK ZC	2
41a	003150	Pro ELR Extension Tube Short	1
41b	003151	Pro ELR Extension Tube Long	1
42a	003173	Composite Angle Adjustable Footplate Small 15-16" Wide	1
42b	003174	Composite Angle Adjustable Footplate Medium 17-18" Wide	1
42c	003175	Composite Angle Adjustable Footplate Large 19-24" Wide	1
43-46	003185	Extension Tube Hardware Assembly with Ext Tube Plug for Composite Angle Adjustable Footplate <i>The Extension Tube is not shown in the diagram.</i>	1
47a	100537	Footplate Composite 14-15" Wide CAT/TILT	1
47b	100540	Footplate Composite 16-17" Wide CAT/TILT	1
47c	100542	Footplate Composite 18-24" Wide CAT/TILT	1
48d	101849	M6 x 65 SHCS Blk Zn	1

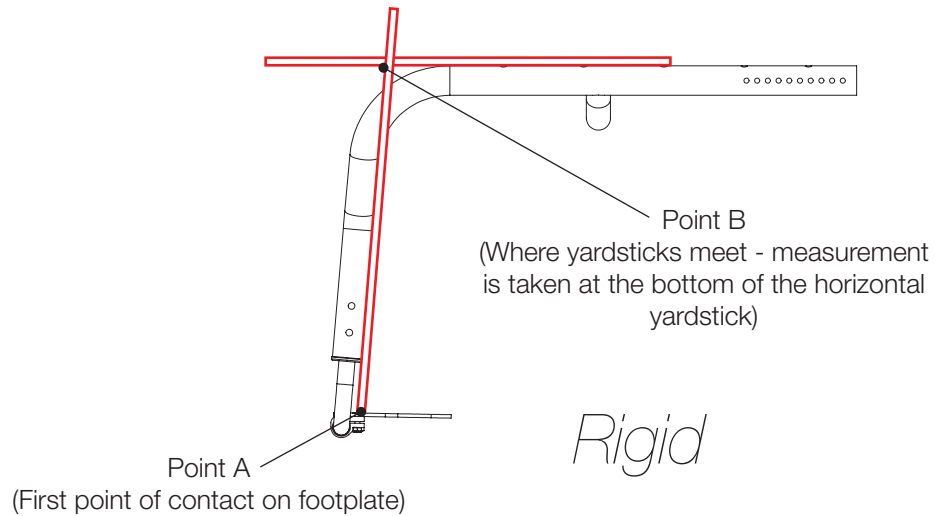
Distance between Point A and Point B = Footplate Length

NOTE: The yardstick on the top plane of the seat frame must lie flat against frame. The yardstick going from the footplate to the second yardstick must be square against the hanger tube.



Distance between Point A and Point B = Footplate Length

NOTE: The yardstick on the top plane of the seat frame must lie flat against frame. The yardstick going from the footplate to the second yardstick must be square against the front tube.



Distance between Point A and Point B = Footplate Length

NOTE: The yardstick on the top plane of the hanger must lie flat against hanger. The yardstick going from the footplate to the second yardstick must be square against the hanger tube.

