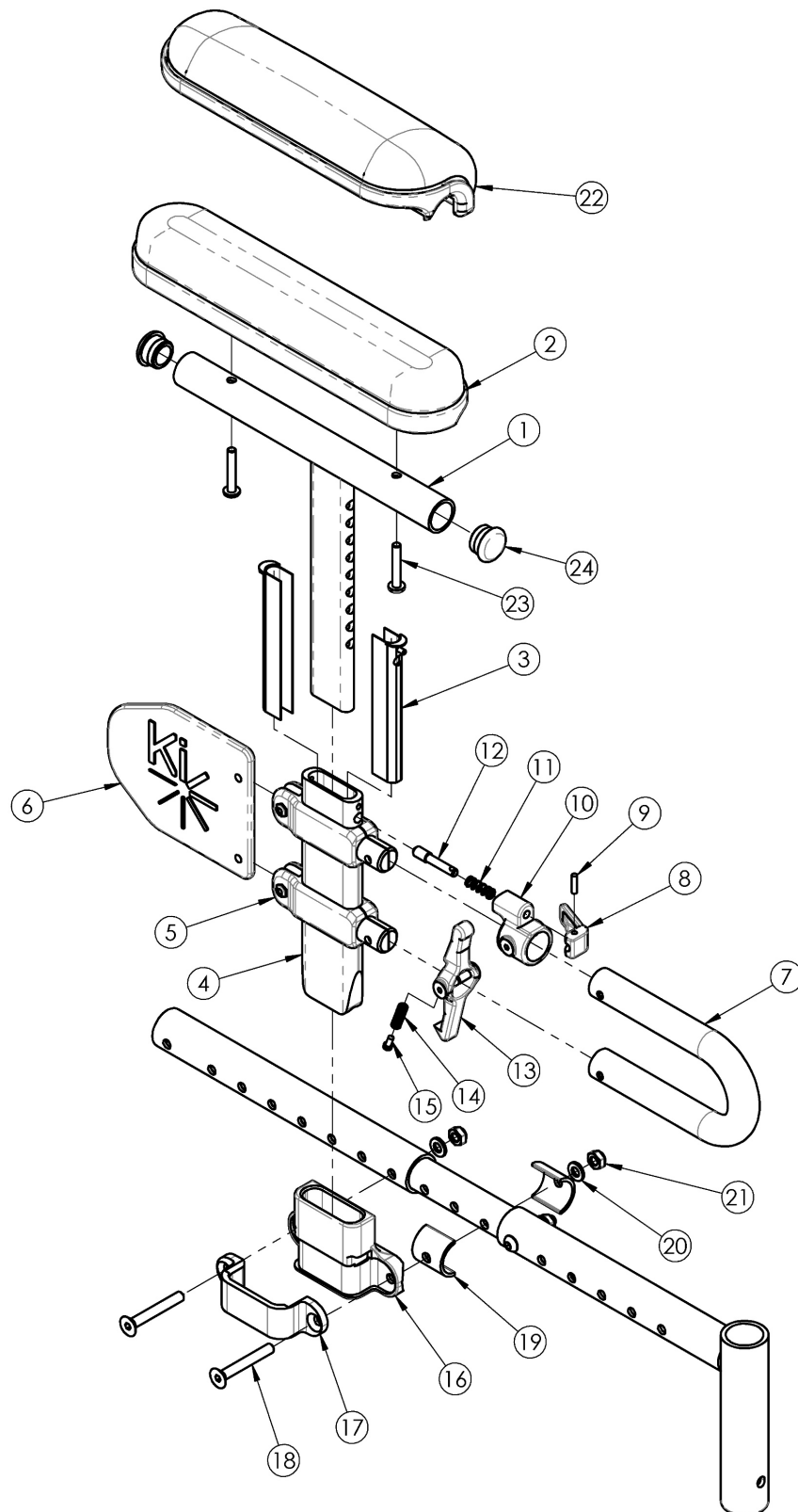


Flip Height Adjustable Low T-Arm



If retrofitting, Receivers are needed.

Item Number	Part Number	Description	Quantity
1a, 2b, 3-21, 23a, 24	121239	Height Adjustable T-Arm Assm Low Desk w/ Receiver PAIR FLIP	1
1a, 2b, 3-21, 23a, 24	121242	Height Adj T-Arm Assm Low Desk w/ Receiver	1
1a, 2b, 3-15, 23a, 24	121241	Height Adjustable T-Arm Assembly Low, Desk w/ Std Pad	1
1b, 2a, 3-21, 23a, 24	502894	Height Adjustable T-Arm Assm Low Full Pad w/ Receiver PAIR FLIP	1
1b, 2a, 3-21, 23a, 24	503182	Height Adj T-Arm Assm Low Full w/ Receiver	1
1b, 2a, 3-15, 23a, 24	503169	Height Adjustable T-Arm Assembly Low Full w/ Std Pad	1
1a, 3-21, 22b, 23b, 24	121245	Height Adj T-Arm Assm Low Waterfall Desk w/ Receiver PAIR	1
1a, 3-21, 22b, 23b, 24	121244	Height Adj T-Arm Assm Low Waterfall Desk w/ Receiver	1
1a, 3-15, 22b, 23b, 24	121243	Height Adjustable T-Arm Assembly Low, Desk w/ Waterfall Pad	1
1b, 3-21, 22a, 23b, 24	503204	Height Adj T-Arm Assm Low Waterfall Full w/ Receiver PAIR	1
1b, 3-21, 22a, 23b, 24	503198	Height Adj T-Arm Assm Low Waterfall Full w/ Receiver	1
1b, 3-15, 22a, 23b, 24	503185	Height Adjustable T-Arm Assembly Low Full w/ Waterfall Pad	1
16-20	503166	Armrest T-Arm Receiver Assembly Flip	1
1a, 3-15, 24	114488	Height Adjustable T-Arm, Desk, Low <i>Replaced 002681 / 002682</i>	1
1b, 3-15, 24	002683	Arm T Height Adjustable Low, Full Right Assembly	1
1b, 3-15, 24	114489	Height Adjustable T-Arm, Full, Low <i>Replaced 002683 / 002684</i>	1
1a, 24	002648	Post Weldment, T-Arm, Low, Desk	1
1b, 24	002649	Post Weldment, T-Arm, Low, Full	1
2a	100500	Arm Pad Full	1
2b	100501	Arm Pad Desk	1
3	000090	Height Adjustable T Armrest Shim	2
4	002105	Tube, Outer, T-Arm, Low	1
7	002104	Transfer Tube, T-Arm, Low	1
9	200257	Dowel Pin 1/8 x 1/2	1
10	000096	Height Adjustable T Armrest Pin Lock Housing	1

Item Number	Part Number	Description	Quantity
11	000134	Height Adjustable Armrest Lever Spring	1
12	000099	Height Adjustable Armrest Lever Pin	1
13	002106	Lever, T-Arm, Low	1
14	000135	Height Adjustable T Armrest Release Lever Spring	1
15	000152	Height Adjustable T Armrest Release Spring Button	1
16	002036	Receiver, T-Arm, High	1
17	000088	Height Adjustable T Armrest Bracket	1
18	101592	M6 x 45 CLS10.9 DIN7991 FHCS BLKZC	2
20	100746	M6 Flat Washer Blk Zn	2
21	100658	M6 Nylock Nut Blk Zn	2
22a	102452	Waterfall Arm Pad Full	1
22b	102521	Waterfall Arm Pad Desk	1
23a	100696	M5 x 30mm PPH Capscrew <i>Used with Standard Arm Pads</i>	2
23b	100654	M5 x 40 DIN7985 PH Pan HD M/S ZC <i>Used with Waterfall Arm Pads</i>	2
24	100803	Tube End Plug 7/8"	2