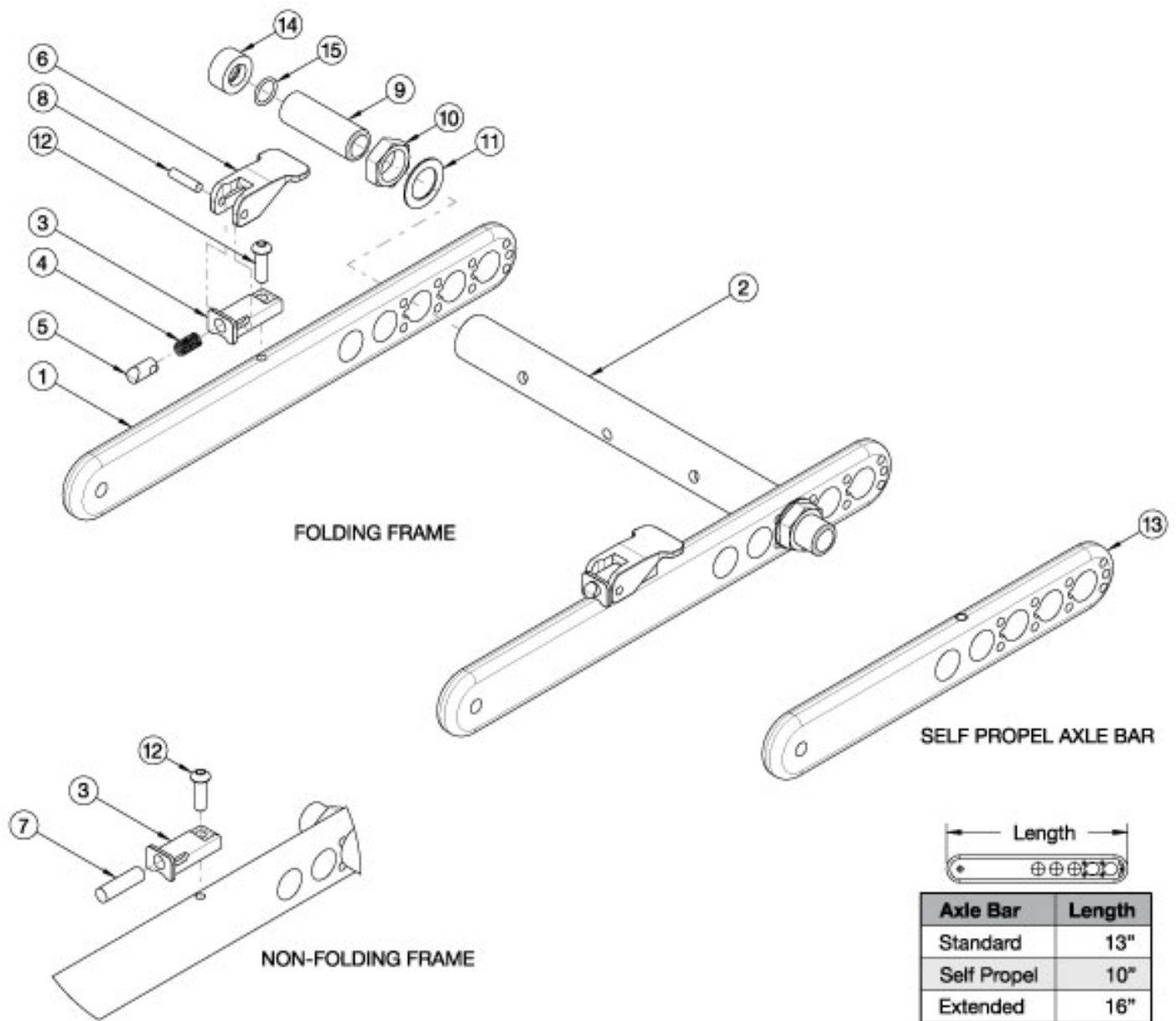


Flip Rear Frame



Item Number	Part Number	Description	Quantity
3-6, 8, 12	502795	Base Kit, Folding, FLIP <i>This kit is for one side; order quantity 2 for both sides</i>	1
3, 7, 8, 12	502796	Base Kit, Rigid, FLIP <i>This kit is for one side; order quantity 2 for both sides</i>	1
1a	001838	Axle Bar, Standard	1
1b	003838	Axle Bar, Extended <i>Used with reclining backrest</i>	1

Item Number	Part Number	Description	Quantity
2a	001840	Axle Tube, 10W	1
2b	001841	Axle Tube, 11W	1
2c	001842	Axle Tube, 12W	1
2d	001843	Axle Tube, 13W	1
2e	001844	Axle Tube, 14W	1
2f	001845	Axle Tube, 15W	1
2g	001846	Axle Tube, 16W	1
2h	001847	Axle Tube, 17W	1
2i	001848	Axle Tube, 18W	1
3	001849	Plunger Housing, Fold Release	2
4	001850	Spring, Fold Release	2
5	001851	Locking Pin, Axle Bar	2
6	002646	Lever, Fold Release	2
7	102781	Dowel Pin, M8 x 28, SS	2
8	102782	Dowel Pin, M5 x 20, SS	2
9a	114480	Axle Receiver, 2.5" Length <i>Replaced part number 100756. Used with quick release axles. Not used if Drum Brake is present; see Little Wave Flip Drum Brake.</i>	2
9b	003239	Axle Receiver, Threaded Axle <i>Used with fixed axles</i>	2
10	100514	Axle Receiver Nut M18 x D12 x 8mm	2
11	100583	Axle Plate Washer 18mm	2
12	101721	M6 X 16 Btn Shcs W/ Patch	2
13	001839	Axle Bar, Self Propel	1
14, 15	506326	Axle Spacer Kit <i>Used with MAXX Mag wheels in combination with the 100756 axle receiver (discontinued 3/3/2023)</i>	1