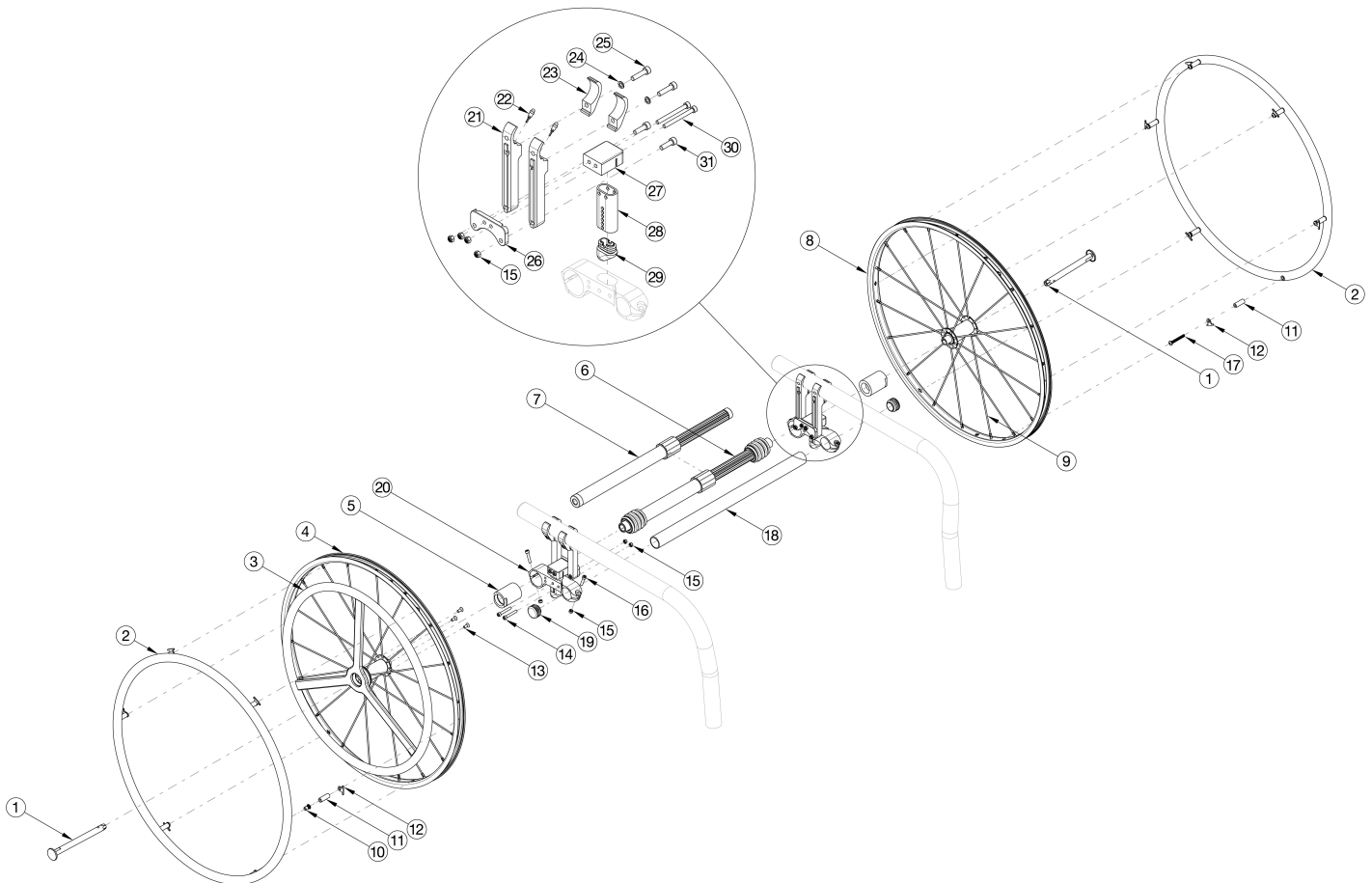


Rogue2 / Rogue XP 20 One Arm Drive Quick Release Aluminum Drive Handrim



If retrofitting to add the One Arm Drive, new rear towers are required in addition to the complete One Arm Drive system and camber tube kit. Effective 5/13/2022, all One Arm Drives will be shipped with a close mounted handrim on the non-drive wheel. Most One Arm Drive kits do not include rear tires. Tires need to be quoted separately. Used on Rogue XP chairs invoiced starting on 3/12/25

Item Number	Part Number	Description	Quantity
1, 2, 3, 4, 5a, 7a, 8, 10, 11a, 11b, 12-17	112663	Rogue Quick Release One Arm Drive Retrofit Kit, 0° Camber, 20" Spoke with Aluminum Drive Handrim, Aluminum Non Drive Handrim, 177-255mm Drive Shaft	1
1, 2, 3, 4, 5a, 7b, 8, 10, 11a, 11b, 12-17	112664	Rogue Quick Release One Arm Drive Retrofit Kit, 0° Camber, 20" Spoke with Aluminum Drive Handrim, Aluminum Non Drive Handrim, 225-295mm Drive Shaft	1
1, 2, 3, 4, 5a, 7c, 8, 10, 11a, 11b, 12-17	112665	Rogue Quick Release One Arm Drive Retrofit Kit, 0° Camber, 20" Spoke with Aluminum Drive Handrim, Aluminum Non Drive Handrim, 260-370mm Drive Shaft	1
1, 2, 3, 4, 5a, 7d, 8, 10, 11a, 11b, 12-17	112666	Rogue Quick Release One Arm Drive Retrofit Kit, 0° Camber, 20" Spoke with Aluminum Drive Handrim, Aluminum Non Drive Handrim, 330-440mm Drive Shaft	1

Item Number	Part Number	Description	Quantity
1, 2, 3, 4, 5a, 7e, 8, 10, 11a, 11b, 12-17	112667	Rogue Quick Release One Arm Drive Retrofit Kit, 0° Camber, 20" Spoke with Aluminum Drive Handrim, Aluminum Non Drive Handrim, 421-491mm Drive Shaft	1
1, 2, 3, 4, 5b, 6a, 8, 10, 11a, 11b, 12-17	112668	Rogue Quick Release One Arm Drive Retrofit Kit, 2° Camber, 20" Spoke with Aluminum Drive Handrim, Aluminum Non Drive Handrim, 170-195mm Drive Shaft	1
1, 2, 3, 4, 5b, 6b, 8, 10, 11a, 11b, 12-17	112669	Rogue Quick Release One Arm Drive Retrofit Kit, 2° Camber, 20" Spoke with Aluminum Drive Handrim, Aluminum Non Drive Handrim, 180-210mm Drive Shaft	1
1, 2, 3, 4, 5b, 6c, 8, 10, 11a, 11b, 12-17	112670	Rogue Quick Release One Arm Drive Retrofit Kit, 2° Camber, 20" Spoke with Aluminum Drive Handrim, Aluminum Non Drive Handrim, 195-235mm Drive Shaft	1
1, 2, 3, 4, 5b, 6d, 8, 10, 11a, 11b, 12-17	112671	Rogue Quick Release One Arm Drive Retrofit Kit, 2° Camber, 20" Spoke with Aluminum Drive Handrim, Aluminum Non Drive Handrim, 220-280mm Drive Shaft	1
1, 2, 3, 4, 5b, 6e, 8, 10, 11a, 11b, 12-17	112672	Rogue Quick Release One Arm Drive Retrofit Kit, 2° Camber, 20" Spoke with Aluminum Drive Handrim, Aluminum Non Drive Handrim, 270-330mm Drive Shaft	1
1, 2, 3, 4, 5b, 6f, 8, 10, 11a, 11b, 12-17	112673	Rogue Quick Release One Arm Drive Retrofit Kit, 2° Camber, 20" Spoke with Aluminum Drive Handrim, Aluminum Non Drive Handrim, 295-370mm Drive Shaft	1
1, 2, 3, 4, 5b, 6g, 8, 10, 11a, 11b, 12-17	112674	Rogue Quick Release One Arm Drive Retrofit Kit, 2° Camber, 20" Spoke with Aluminum Drive Handrim, Aluminum Non Drive Handrim, 350-460mm Drive Shaft	1
1, 2, 3, 4, 5b, 6h, 8, 10, 11a, 11b, 12-17	112675	Rogue Quick Release One Arm Drive Retrofit Kit, 2° Camber, 20" Spoke with Aluminum Drive Handrim, Aluminum Non Drive Handrim, 420-530mm Drive Shaft	1
1, 2, 3, 4, 5c, 6c, 8, 10, 11a, 11b, 12-17	112676	Rogue Quick Release One Arm Drive Retrofit Kit, 4° Camber, 20" Spoke with Aluminum Drive Handrim, Aluminum Non Drive Handrim, 195-235mm Drive Shaft	1
1, 2, 3, 4, 5c, 6d, 8, 10, 11a, 11b, 12-17	112677	Rogue Quick Release One Arm Drive Retrofit Kit, 4° Camber, 20" Spoke with Aluminum Drive Handrim, Aluminum Non Drive Handrim, 220-280mm Drive Shaft	1
1, 2, 3, 4, 5c, 6e, 8, 10, 11a, 11b, 12-17	112678	Rogue Quick Release One Arm Drive Retrofit Kit, 4° Camber, 20" Spoke with Aluminum Drive Handrim, Aluminum Non Drive Handrim, 270-330mm Drive Shaft	1
1, 2, 3, 4, 5c, 6f, 8, 10, 11a, 11b, 12-17	112679	Rogue Quick Release One Arm Drive Retrofit Kit, 4° Camber, 20" Spoke with Aluminum Drive Handrim, Aluminum Non Drive Handrim, 295-370mm Drive Shaft	1
1, 2, 3, 4, 5c, 6g, 8, 10, 11a, 11b, 12-17	112680	Rogue Quick Release One Arm Drive Retrofit Kit, 4° Camber, 20" Spoke with Aluminum Drive Handrim, Aluminum Non Drive Handrim, 350-460mm Drive Shaft	1

Item Number	Part Number	Description	Quantity
1, 2, 3, 4, 5a, 7a, 8, 10, 11a, 11b, 12-17	121425	Rogue Quick Release One Arm Drive Retrofit Kit, 0° Camber, 20" Spoke with Aluminum Drive Handrim, Plastic Coated Non Drive Handrim, 177-255mm Drive Shaft	1
1, 2, 3, 4, 5a, 7b, 8, 10, 11a, 11b, 12-17	121428	Rogue Quick Release One Arm Drive Retrofit Kit, 0° Camber, 20" Spoke with Aluminum Drive Handrim, Plastic Coated Non Drive Handrim, 225-295mm Drive Shaft	1
1, 2, 3, 4, 5a, 7c, 8, 10, 11a, 11b, 12-17	121429	Rogue Quick Release One Arm Drive Retrofit Kit, 0° Camber, 20" Spoke with Aluminum Drive Handrim, Plastic Coated Non Drive Handrim, 260-370mm Drive Shaft	1
1, 2, 3, 4, 5a, 7d, 8, 10, 11a, 11b, 12-17	121431	Rogue Quick Release One Arm Drive Retrofit Kit, 0° Camber, 20" Spoke with Aluminum Drive Handrim, Plastic Coated Non Drive Handrim, 330-440mm Drive Shaft	1
1, 2, 3, 4, 5a, 7e, 8, 10, 11a, 11b, 12-17	121432	Rogue Quick Release One Arm Drive Retrofit Kit, 0° Camber, 20" Spoke with Aluminum Drive Handrim, Plastic Coated Non Drive Handrim, 421-491mm Drive Shaft	1
1, 2, 3, 4, 5b, 6a, 8, 10, 11a, 11b, 12-17	121433	Rogue Quick Release One Arm Drive Retrofit Kit, 2° Camber, 20" Spoke with Aluminum Drive Handrim, Plastic Coated Non Drive Handrim, 170-195mm Drive Shaft	1
1, 2, 3, 4, 5b, 6b, 8, 10, 11a, 11b, 12-17	121434	Rogue Quick Release One Arm Drive Retrofit Kit, 2° Camber, 20" Spoke with Aluminum Drive Handrim, Plastic Coated Non Drive Handrim, 180-210mm Drive Shaft	1
1, 2, 3, 4, 5b, 6c, 8, 10, 11a, 11b, 12-17	121435	Rogue Quick Release One Arm Drive Retrofit Kit, 2° Camber, 20" Spoke with Aluminum Drive Handrim, Plastic Coated Non Drive Handrim, 195-235mm Drive Shaft	1
1, 2, 3, 4, 5b, 6d, 8, 10, 11a, 11b, 12-17	121436	Rogue Quick Release One Arm Drive Retrofit Kit, 2° Camber, 20" Spoke with Aluminum Drive Handrim, Plastic Coated Non Drive Handrim, 220-280mm Drive Shaft	1
1, 2, 3, 4, 5b, 6e, 8, 10, 11a, 11b, 12-17	121437	Rogue Quick Release One Arm Drive Retrofit Kit, 2° Camber, 20" Spoke with Aluminum Drive Handrim, Plastic Coated Non Drive Handrim, 270-330mm Drive Shaft	1
1, 2, 3, 4, 5b, 6f, 8, 10, 11a, 11b, 12-17	121438	Rogue Quick Release One Arm Drive Retrofit Kit, 2° Camber, 20" Spoke with Aluminum Drive Handrim, Plastic Coated Non Drive Handrim, 295-370mm Drive Shaft	1
1, 2, 3, 4, 5b, 6g, 8, 10, 11a, 11b, 12-17	121439	Rogue Quick Release One Arm Drive Retrofit Kit, 2° Camber, 20" Spoke with Aluminum Drive Handrim, Plastic Coated Non Drive Handrim, 350-460mm Drive Shaft	1
1, 2, 3, 4, 5b, 6h, 8, 10, 11a, 11b, 12-17	121440	Rogue Quick Release One Arm Drive Retrofit Kit, 2° Camber, 20" Spoke with Aluminum Drive Handrim, Plastic Coated Non Drive Handrim, 420-530mm Drive Shaft	1
1, 2, 3, 4, 5c, 6c, 8, 10, 11a, 11b, 12-17	121441	Rogue Quick Release One Arm Drive Retrofit Kit, 4° Camber, 20" Spoke with Aluminum Drive Handrim, Plastic Coated Non Drive Handrim, 195-235mm Drive Shaft	1

Item Number	Part Number	Description	Quantity
1, 2, 3, 4, 5c, 6d, 8, 10, 11a, 11b, 12-17	121442	Rogue Quick Release One Arm Drive Retrofit Kit, 4° Camber, 20" Spoke with Aluminum Drive Handrim, Plastic Coated Non Drive Handrim, 220-280mm Drive Shaft	1
1, 2, 3, 4, 5c, 6e, 8, 10, 11a, 11b, 12-17	121443	Rogue Quick Release One Arm Drive Retrofit Kit, 4° Camber, 20" Spoke with Aluminum Drive Handrim, Plastic Coated Non Drive Handrim, 270-330mm Drive Shaft	1
1, 2, 3, 4, 5c, 6f, 8, 10, 11a, 11b, 12-17	121444	Rogue Quick Release One Arm Drive Retrofit Kit, 4° Camber, 20" Spoke with Aluminum Drive Handrim, Plastic Coated Non Drive Handrim, 295-370mm Drive Shaft	1
1, 2, 3, 4, 5c, 6g, 8, 10, 11a, 11b, 12-17	121445	Rogue Quick Release One Arm Drive Retrofit Kit, 4° Camber, 20" Spoke with Aluminum Drive Handrim, Plastic Coated Non Drive Handrim, 350-460mm Drive Shaft	1
1, 2, 8, 11b, 12	119587	Quick Release One Arm Drive, 20" Spoke Wheel with Axle (Driven Side) and Close Mounted Aluminum Handrim	1
1, 3, 4, 13	112899	Quick Release One Arm Drive Drive, 20" Spoke Wheel with Axle and Aluminum Drive Handrim	1
10, 11a, 12	502168	Handrim Hardware Kit, 6 Rivet Nut, EACH	1
2a	200536	Handrim Aluminum Anodized 6 Rivet Nut 20" <i>Does not include mounting hardware</i>	1
3b	112819	Handrim Plastic Coated 6 Rivet Nut 20" <i>Does not include mounting hardware</i>	1
2a, 11b, 12, 17	116447	Aluminum Anodized Handrim 6 Rivet Nut 20" with Close Mount Hardware, Non-Drive Side	1
2b, 11b, 12, 17	121850	Plastic Coated Handrim 6 Rivet Nut 20" with Close Mount Hardware, Non-Drive Side	1
15, 23a, 24-31	124265	Camber Tower Clamp Black Anodized w/ Hardware Assembly, One Side Rogue2 / Rogue XP	1
15, 23b, 24-31	124265_ _ _	Color Anodized/Color Accent Camber Tower Clamp w/ Hardware Assembly, One Side Rogue2 / Rogue XP	1
3.0	111830	Quick Release One Arm Drive, Aluminum Drive Side Handrim for 20" Wheel <i>Does not include mounting hardware</i>	1
3, 32	118246	Quick Release One Arm Drive, Aluminum Drive Side Handrim for 20" Wheel with Micro Grip <i>Does not include mounting hardware</i>	1
5a	107031	One Arm Drive Blade/Quick Release Camber Plug w/Bearings - 0° Camber	2
6a	111858	One Arm Drive - Quick Release Camber Drive Shaft 170-195mm	1
6b	111627	One Arm Drive - Quick Release Camber Drive Shaft 180-210mm	1
6c	111628	One Arm Drive - Quick Release Camber Drive Shaft 195-235mm	1
6d	111498	One Arm Drive - Quick Release Camber Drive Shaft 220-280mm	1

Item Number	Part Number	Description	Quantity
6e	111499	One Arm Drive - Quick Release Camber Drive Shaft 270-330mm	1
6f	111500	One Arm Drive - Quick Release Camber Drive Shaft 295-370mm	1
6g	111501	One Arm Drive - Quick Release Camber Drive Shaft 350-460mm	1
6h	111502	One Arm Drive - Quick Release Camber Drive Shaft 420-530mm	1
7a	111503	One Arm Drive - Quick Release Zero Camber Drive Shaft 177-255mm	1
7b	111504	One Arm Drive - Quick Release Zero Camber Drive Shaft 225-295mm	1
7c	111505	One Arm Drive - Quick Release Zero Camber Drive Shaft 260-370mm	1
7d	111506	One Arm Drive - Quick Release Zero Camber Drive Shaft 330-440mm	1
7e	111507	One Arm Drive - Quick Release Zero Camber Drive Shaft 421-491mm	1
8	111512	Quick Release One Arm Drive, 24" Spoke Wheel with Axle (Driven Side)	1
9	111515	Replacement Spoke, Quick Release One Arm Drive, 24"	1
10	122063	PHMS, M5x0.8x40, CLS4.8, PHL, BLZ, NYL, DIN7985, Custom	6
11a	100653	Handrim Spacer Spoke	6
11b	100792	Caster Spacer D8 x D12 x 10mm / Close Mount Handrim Spacer	6
12	100698	Handrim Tab	6
13	103522	M5 x 0.8 x 12 FHCS CLS 10.9 Nyl Blk Zn DIN7991	3
14	101734	M5 x 35 SHCS BLK ZC	2
15	100657	M5 Nylock Nut Blk Zn	4
16	101717	M5 x 25 SHCS BLK ZC	2
17	122065	BHCS, M5x0.8x25, CLS12.9, BLZ, NYL, ISO7380, Custom	1
18a	003369	One Arm Drive Camber Tube 11" Kit, Klik / Rogue XP <i>Does not include tube end plugs</i>	1
18b	003370	One Arm Drive Camber Tube 12" Kit, Klik / Rogue / Rogue XP <i>Does not include tube end plugs</i>	1
18c	003371	One Arm Drive Camber Tube 13" Kit, Klik / Rogue / Rogue XP <i>Does not include tube end plugs</i>	1
18d	003372	One Arm Drive Camber Tube 14" Kit, Klik / Rogue / Rogue XP <i>Does not include tube end plugs</i>	1
18e	003373	One Arm Drive Camber Tube 15" Kit, Klik / Rogue / Rogue XP	1

Item Number	Part Number	Description	Quantity
		<i>Does not include tube end plugs</i>	
18f	003374	One Arm Drive Camber Tube 16" Kit, Klik / Rogue / Rogue XP <i>Does not include tube end plugs</i>	1
18d	003708	One Arm Drive Camber Tube 17" Kit, Klik / Rogue / Rogue XP <i>Does not include tube end plugs</i>	1
18e	003709	One Arm Drive Camber Tube 18" Kit, Klik / Rogue / Rogue XP <i>Does not include tube end plugs</i>	1
18f	116857	One Arm Drive Camber Tube 19" Kit, Rogue <i>Does not include tube end plugs</i>	1
18g	116858	One Arm Drive Camber Tube 20" Kit, Rogue <i>Does not include tube end plugs</i>	1
19	100532	Tube End Plug 1 1/8"	1
20	101186	M5 X 45 CLS12.9 DIN912 SHCS P/THD BLZ	4
21a	114004	Rear Tower Inner Index Clamp 2.125", Black, Right	2
21b	114004_ _ _	Rear Tower Inner Index Clamp 2.125", Anodized/Color Accent, Right	2
21c	114005	Rear Tower Inner Index Clamp 2.875", Black, Right	2
21d	114005_ _ _	Rear Tower Inner Index Clamp 2.875", Anodized/Color Accent, Right	2
21e	114006	Rear Tower Inner Index Clamp 3.625, Black, Right	2
21f	114006_ _ _	Rear Tower Inner Index Clamp 3.625, Anodized/Color Accent, Right	2
21g	114007	Rear Tower Inner Index Clamp 4.500", Black, Right	2
21h	114007_ _ _	Rear Tower Inner Index Clamp 4.500", Anodized/Color Accent, Right	2
21i	114008	Rear Tower Inner Index Clamp 5.375", Black, Right	2
21j	114008_ _ _	Rear Tower Inner Index Clamp 5.375", Anodized/Color Accent, Right	2
21k	114009	Rear Tower Inner Index Clamp 6.250", Black, Right	2
21l	114009_ _ _	Rear Tower Inner Index Clamp 6.250", Anodized/Color Accent, Right	2
21m	114034	Rear Tower Inner Index Clamp 2.125", Black, Left	2
21n	114034_ _ _	Rear Tower Inner Index Clamp 2.125", Anodized/Color Accent, Left	2
21o	114035	Rear Tower Inner Index Clamp 2.875", Black, Left	2
21p	114035_ _ _	Rear Tower Inner Index Clamp 2.875", Anodized/Color Accent, Left	2
21q	114036	Rear Tower Inner Index Clamp 3.625, Black, Left	2

Item Number	Part Number	Description	Quantity
21r	114036_ _ _	Rear Tower Inner Index Clamp 3.625, Anodized/Color Accent, Left	2
21s	114037	Rear Tower Inner Index Clamp 4.500", Black, Left	2
21t	114037_ _ _	Rear Tower Inner Index Clamp 4.500", Anodized/Color Accent, Left	2
21u	114038	Rear Tower Inner Index Clamp 5.375", Black, Left	2
21v	114038_ _ _	Rear Tower Inner Index Clamp 5.375", Anodized/Color Accent, Left	2
21w	114039	Rear Tower Inner Index Clamp 6.250", Black, Left	2
21y	114039_ _ _	Rear Tower Inner Index Clamp 6.250", Anodized/Color Accent, Left	2
22	001788	Button Assembly	2
23	114003	Rear Tower Outer Clamp, Black	4
24	102326	Flat Washer ID .254" x OD .396" Thickness .047" Zinc	4
25	100780	M6 x 25 SHCS ZC	4
28	000923	Camber Mount Tower Short Black Anodized Rigid	2
29	000920	Camber Mount Cap Rigid	2
31	101180	M6 x 20 SHCS BLK ZC	4