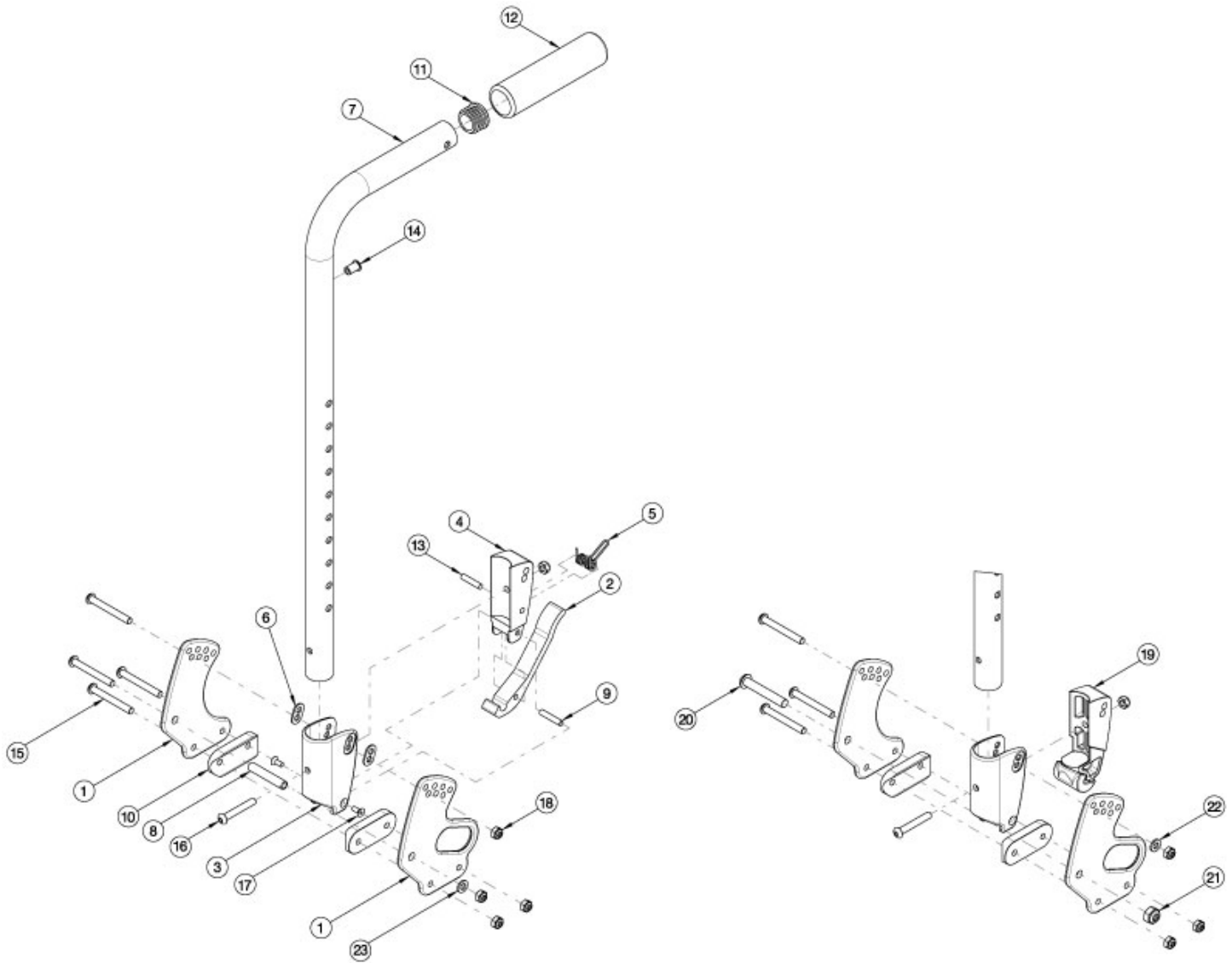


# Flip Stroller Handle Back Post



*Note: Tilt Mechanism parts may be required if changing to a different backrest style. Please see the applicable tilt mechanism parts manual page for verification.*

Item Number	Part Number	Description	Quantity
1a, 6, 8, 10, 15, 18, 23	502819	Backrest Hardware Kit Std FLIP	1
1a, 1b, 6, 8, 10, 15, 18, 23	502820	Backrest Hardware Kit Std Transit (one side), FLIP	1
1a, 10, 15, 16, 18, 20-22	503027	Backrest Hardware Kit, Non Folding, Flip	1
1a, 1b, 10, 15, 16, 18, 20-22	503163	Backrest Hardware Kit Non-Folding (one side), Transit, Flip	1
2-6, 7a, 9, 11, 12a, 13 - 15, 16-18, 23	502657	Back Cane Assembly w/ Latch Insert, Fixed Height, Short, Flip	1

Item Number	Part Number	Description	Quantity
2-5, 7b, 9, 11, 12a, 13 - 15, 16,18, 23	502658	Back Cane Assembly w/ Latch Insert, Fixed Height, Tall, Flip	1
2-6, 7a, 9, 12b, 13 - 15, 16-18, 23	502659	Back Cane Assembly w/ Latch Insert, Fixed Stroller, Short, Flip <i>Used with Stroller Handle Extensions</i>	1
2-6, 7b, 9, 12b, 13 - 15, 16-18, 23	502660	Back Cane Assembly w/ Latch Insert, Fixed Stroller, Tall, Flip <i>Used with Stroller Handle Extensions</i>	1
3, 7a, 11, 12a, 14 - 16, 18, 19 - 22	502667	Back Cane Assembly w/ Latch Block, Fixed Height, Short, Non-Folding, Flip	1
3, 7b, 11, 12a, 14 - 16, 18, 19 - 22	502668	Back Cane Assembly w/ Latch Block, Fixed Height, Tall, Non-Folding, Flip	1
3, 7a, 12b, 14 - 16, 18, 19 - 22	502669	Back Cane Assembly w/ Latch Block, Fixed Stroller, Short, Non-Folding, Flip <i>Used with Stroller Handle Extensions</i>	1
3, 7b, 12b, 14 - 16, 18, 19 - 22	502670	Back Cane Assembly w/ Latch Block, Fixed Stroller, Tall, Non-Folding, Flip <i>Used with Stroller Handle Extensions</i>	1
1a	001890	Back Plate, Std	2
1b	001891	Back Plate, Transit	1
2	001893	Latch Lever, Backrest	1
3, 6	503834	Cover Plate, Latch Insert Kit	1
4	001895	Latch Insert, Folding Backrest	1
5	001896	Spring, Backrest Latch	1
6	001897	Washer, Dual, PSA	2
8	002738	Spacer .313 OD x .243 ID x 1.68 long	1
9	002513	Threaded Barrel, 5mm OD x M4	1
10	002595	Saddle, Dual, 1" OD X 1.5 SP	2
11	100804	Tube End Plug 1"	1
13	102694	Dowel Pin, M5 X 24, Blk Zn	1
15	101781	M6 x 50mm Partial Thread BHCS Blk ZC	4
16	100797	M6 x 40 BHCS BLK ZC	1
17	101818	M4 x 10 FHCS BLKZC w/Patch	2
18	100658	M6 Nylock Nut Blk Zn	5

<b>Item Number</b>	<b>Part Number</b>	<b>Description</b>	<b>Quantity</b>
19	002035	Insert, Backrest, Non-Folding	1
20	101815	M8 x 50 BHCS Blk Zn	1
21	100659	M8 Nylock Nut Blk Zn	1
22	100746	M6 Flat Washer Blk Zn	1
23	101861	Nylon Washer 5/16 x 1/2 x .03	1