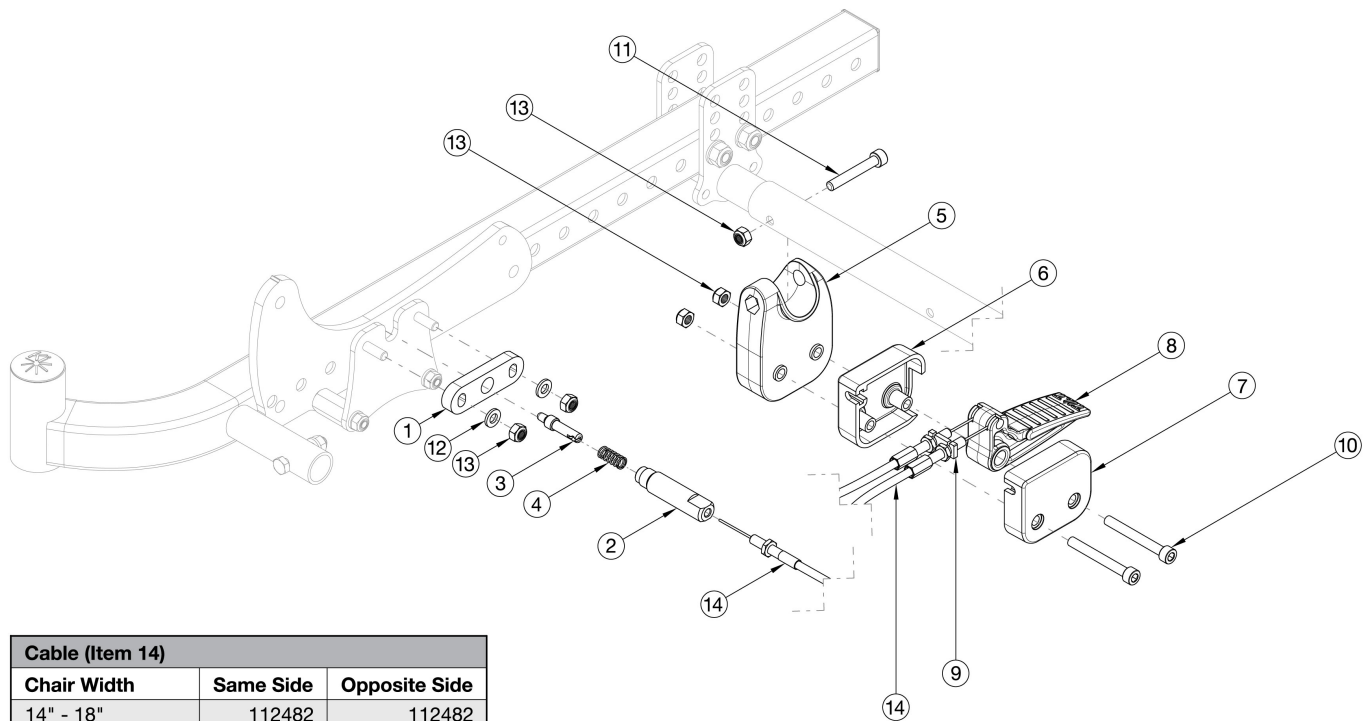


CR45 Foot Tilt



| Cable (Item 14) | | |
|---------------------|-----------|---------------|
| Chair Width | Same Side | Opposite Side |
| 14" - 18" | 112482 | 112482 |
| 19" - 22" | 112482 | 112483 |
| 14" - 18" (Recline) | 112483 | 112483 |
| 19" - 22" (Recline) | 112483 | 112484 |

Cables are determined based on width of chair. Please see chart within diagram to determine which cables are used. If retrofitting from Hand Tilt, the complete Foot Tilt Kit is recommended.

| Item Number | Part Number | Description | Quantity |
|--------------|-------------|------------------------------------|----------|
| 1-13,14a | 116292 | Foot Tilt Kit, 14-18 Wide | 1 |
| 1-13,14a,14b | 116293 | Foot Tilt Kit, 19-22 Wide | 1 |
| 1-13,14b | 116294 | Foot Tilt Kit, Recline, 14-18 Wide | 1 |
| 1-13,14b,14c | 116295 | Foot Tilt Kit, Recline, 19-22 Wide | 1 |
| 1 | 112477 | Tilt Lock Plunger Adapter | 2 |
| 2 | 112478 | Plunger Housing | 2 |
| 3 | 112479 | Plunger Pin | 2 |
| 4 | 112480 | Spring, Comp, .312ODx.81LGx.032W | 2 |
| 5 | 112481 | Foot Tilt Pedal Mount | 1 |
| 9 | 110226 | Nut Plate, Cable, M6, .50SP | 2 |

| Item Number | Part Number | Description | Quantity |
|-------------|-------------|------------------------------|----------|
| 10 | 102473 | M6 X 50 CLS12.9 SHCS BLK ZC | 2 |
| 11 | 101847 | M6 x 40 SHCS Blk Zn | 1 |
| 12 | 100746 | M6 Flat Washer Blk Zn | 4 |
| 13 | 100658 | M6 Nylock Nut Blk Zn | 7 |
| 14a | 112482 | Foot Tilt Cable Short, CR45 | 2 |
| 14b | 112483 | Foot Tilt Cable Medium, CR45 | 2 |
| 14c | 112484 | Foot Tilt Cable Long, CR45 | 1 |