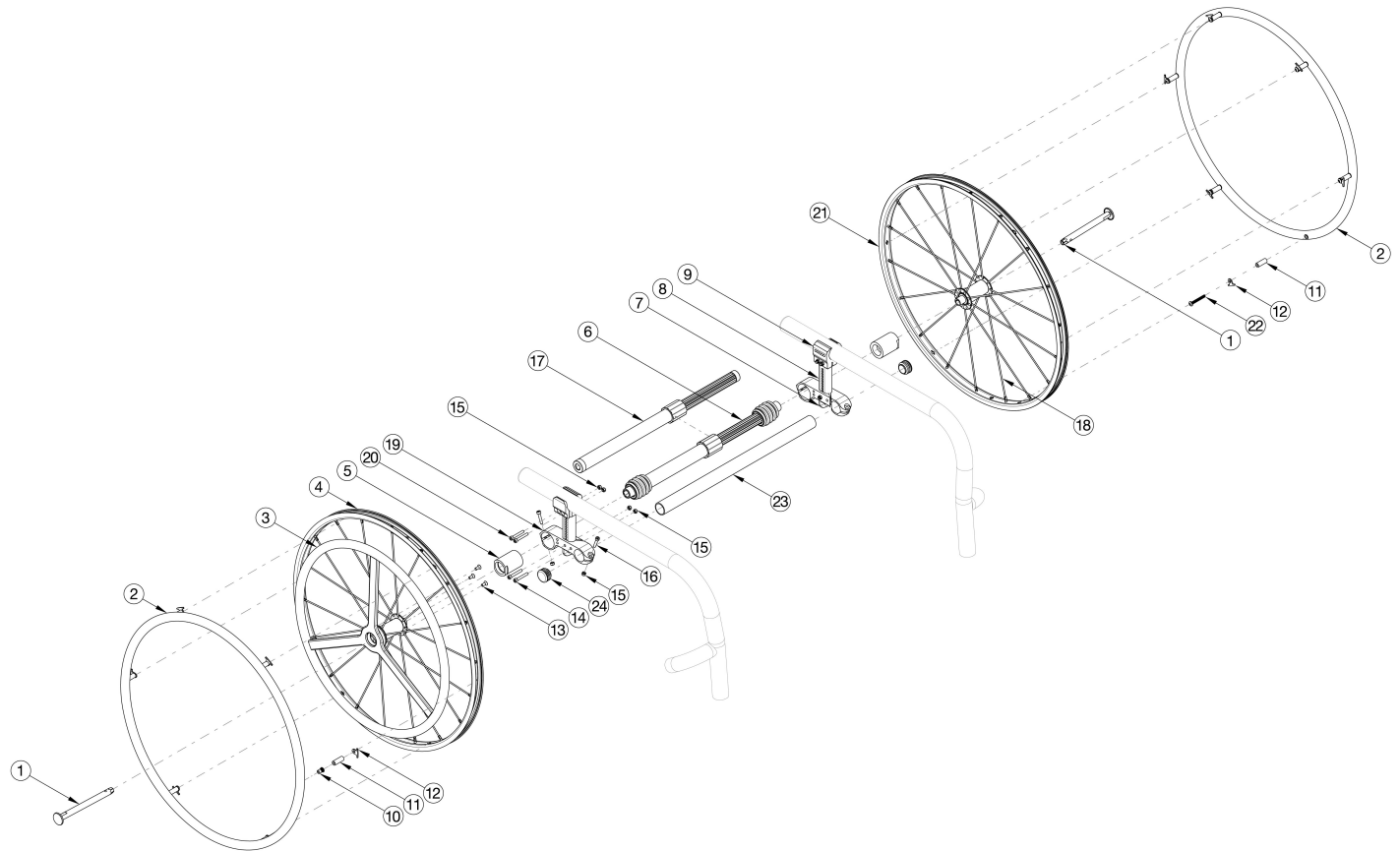


(Discontinued) Rogue / Rogue2 / Rogue XP 24" One Arm Drive Quick Release - Poly Coated Drive Handrim



If retrofitting to add the One Arm Drive, new rear towers are required in addition to the complete One Arm Drive system and camber tube kit. Effective 5/13/2022, all One Arm Drives will be shipped with a close mounted handrim on the non-drive wheel. Used on chairs invoiced prior to 3/12/25

| Item Number | Part Number | Description | Quantity |
|------------------------------------|-------------|--|----------|
| 1, 2, 3, 4, 5a, 10-16, 17a, 19, 21 | 115170 | Rogue Quick Release One Arm Drive Retrofit Kit, 0° Camber, 24" Spoke with Poly Coated Drive Handrim, Aluminum Non Drive Handrim, 177-255mm Drive Shaft | 1 |
| 1, 2, 3, 4, 5a, 10-16, 17b, 19, 21 | 115171 | Rogue Quick Release One Arm Drive Retrofit Kit, 0° Camber, 24" Spoke with Poly Coated Drive Handrim, Aluminum Non Drive Handrim, 225-295mm Drive Shaft | 1 |
| 1, 2, 3, 4, 5a, 10-16, 17c, 19, 21 | 115172 | Rogue Quick Release One Arm Drive Retrofit Kit, 0° Camber, 24" Spoke with Poly Coated Drive Handrim, Aluminum Non Drive Handrim, 260-370mm Drive Shaft | 1 |
| 1, 2, 3, 4, 5a, 10-16, 17d, 19, 21 | 115173 | Rogue Quick Release One Arm Drive Retrofit Kit, 0° Camber, 24" Spoke with Poly Coated Drive Handrim, Aluminum Non Drive Handrim, 330-440mm Drive Shaft | 1 |

| Item Number | Part Number | Description | Quantity |
|--|-------------|--|----------|
| 1, 2, 3, 4, 5a, 10-16, 17e, 19, 21 | 115174 | Rogue Quick Release One Arm Drive Retrofit Kit, 0° Camber, 24" Spoke with Poly Coated Drive Handrim, Aluminum Non Drive Handrim, 421-491mm Drive Shaft | 1 |
| 1, 2, 3, 4, 5b, 6a, 10-16, 19, 21 | 115175 | Rogue Quick Release One Arm Drive Retrofit Kit, 2° Camber, 24" Spoke with Poly Coated Drive Handrim, Aluminum Non Drive Handrim, 170-195mm Drive Shaft | 1 |
| 1, 2, 3, 4, 5b, 6b, 10-16, 19, 21 | 115176 | Rogue Quick Release One Arm Drive Retrofit Kit, 2° Camber, 24" Spoke with Poly Coated Drive Handrim, Aluminum Non Drive Handrim, 180-210mm Drive Shaft | 1 |
| 1, 2, 3, 4, 5b, 6c, 10-16, 19, 21 | 115177 | Rogue Quick Release One Arm Drive Retrofit Kit, 2° Camber, 24" Spoke with Poly Coated Drive Handrim, Aluminum Non Drive Handrim, 195-235mm Drive Shaft | 1 |
| 1, 2, 3, 4, 5b, 6d, 10-16, 19, 21 | 115178 | Rogue Quick Release One Arm Drive Retrofit Kit, 2° Camber, 24" Spoke with Poly Coated Drive Handrim, Aluminum Non Drive Handrim, 220-280mm Drive Shaft | 1 |
| 1, 2, 3, 4, 5b, 6e, 10-16, 19, 21 | 115179 | Rogue Quick Release One Arm Drive Retrofit Kit, 2° Camber, 24" Spoke with Poly Coated Drive Handrim, Aluminum Non Drive Handrim, 270-330mm Drive Shaft | 1 |
| 1, 2, 3, 4, 5b, 6f, 10-16, 19, 21 | 115180 | Rogue Quick Release One Arm Drive Retrofit Kit, 2° Camber, 24" Spoke with Poly Coated Drive Handrim, Aluminum Non Drive Handrim, 295-370mm Drive Shaft | 1 |
| 1, 2, 3, 4, 5b, 6g, 10-16, 19, 21 | 115181 | Rogue Quick Release One Arm Drive Retrofit Kit, 2° Camber, 24" Spoke with Poly Coated Drive Handrim, Aluminum Non Drive Handrim, 350-460mm Drive Shaft | 1 |
| 1, 2, 3, 4, 5b, 6h, 10-16, 19, 21 | 115182 | Rogue Quick Release One Arm Drive Retrofit Kit, 2° Camber, 24" Spoke with Poly Coated Drive Handrim, Aluminum Non Drive Handrim, 420-530mm Drive Shaft | 1 |
| 1, 2, 3, 4, 5c, 6c, 10-16, 19, 21 | 115183 | Rogue Quick Release One Arm Drive Retrofit Kit, 4° Camber, 24" Spoke with Poly Coated Drive Handrim, Aluminum Non Drive Handrim, 195-235mm Drive Shaft | 1 |
| 1, 2, 3, 4, 5c, 6d, 10-16, 19, 21 | 115184 | Rogue Quick Release One Arm Drive Retrofit Kit, 4° Camber, 24" Spoke with Poly Coated Drive Handrim, Aluminum Non Drive Handrim, 220-280mm Drive Shaft | 1 |
| 1, 2, 3, 4, 5c, 6e, 10-16, 19, 21 | 115185 | Rogue Quick Release One Arm Drive Retrofit Kit, 4° Camber, 24" Spoke with Poly Coated Drive Handrim, Aluminum Non Drive Handrim, 270-330mm Drive Shaft | 1 |
| 1, 2, 3, 4, 5c, 6f, 10-16, 19, 21 | 115186 | Rogue Quick Release One Arm Drive Retrofit Kit, 4° Camber, 24" Spoke with Poly Coated Drive Handrim, Aluminum Non Drive Handrim, 295-370mm Drive Shaft | 1 |
| 1, 2, 3, 4, 5c, 6g, 10-16, 19, 21 | 115187 | Rogue Quick Release One Arm Drive Retrofit Kit, 4° Camber, 24" Spoke with Poly Coated Drive Handrim, Aluminum Non Drive Handrim, 350-460mm Drive Shaft | 1 |

| Item Number | Part Number | Description | Quantity |
|------------------------------------|-------------|--|----------|
| 1, 2, 3, 4, 5a, 10-16, 17a, 19, 21 | 121518 | Rogue Quick Release One Arm Drive Retrofit Kit, 0° Camber, 24" Spoke with Poly Coated Drive Handrim, Plastic Coated Non Drive Handrim, 177-255mm Drive Shaft | 1 |
| 1, 2, 3, 4, 5a, 10-16, 17b, 19, 21 | 121519 | Rogue Quick Release One Arm Drive Retrofit Kit, 0° Camber, 24" Spoke with Poly Coated Drive Handrim, Plastic Coated Non Drive Handrim, 225-295mm Drive Shaft | 1 |
| 1, 2, 3, 4, 5a, 10-16, 17c, 19, 21 | 121520 | Rogue Quick Release One Arm Drive Retrofit Kit, 0° Camber, 24" Spoke with Poly Coated Drive Handrim, Plastic Coated Non Drive Handrim, 260-370mm Drive Shaft | 1 |
| 1, 2, 3, 4, 5a, 10-16, 17d, 19, 21 | 121521 | Rogue Quick Release One Arm Drive Retrofit Kit, 0° Camber, 24" Spoke with Poly Coated Drive Handrim, Plastic Coated Non Drive Handrim, 330-440mm Drive Shaft | 1 |
| 1, 2, 3, 4, 5a, 10-16, 17e, 19, 21 | 121522 | Rogue Quick Release One Arm Drive Retrofit Kit, 0° Camber, 24" Spoke with Poly Coated Drive Handrim, Plastic Coated Non Drive Handrim, 421-491mm Drive Shaft | 1 |
| 1, 2, 3, 4, 5b, 6a, 10-16, 19, 21 | 121523 | Rogue Quick Release One Arm Drive Retrofit Kit, 2° Camber, 24" Spoke with Poly Coated Drive Handrim, Plastic Coated Non Drive Handrim, 170-195mm Drive Shaft | 1 |
| 1, 2, 3, 4, 5b, 6b, 10-16, 19, 21 | 121524 | Rogue Quick Release One Arm Drive Retrofit Kit, 2° Camber, 24" Spoke with Poly Coated Drive Handrim, Plastic Coated Non Drive Handrim, 180-210mm Drive Shaft | 1 |
| 1, 2, 3, 4, 5b, 6c, 10-16, 19, 21 | 121525 | Rogue Quick Release One Arm Drive Retrofit Kit, 2° Camber, 24" Spoke with Poly Coated Drive Handrim, Plastic Coated Non Drive Handrim, 195-235mm Drive Shaft | 1 |
| 1, 2, 3, 4, 5b, 6d, 10-16, 19, 21 | 121526 | Rogue Quick Release One Arm Drive Retrofit Kit, 2° Camber, 24" Spoke with Poly Coated Drive Handrim, Plastic Coated Non Drive Handrim, 220-280mm Drive Shaft | 1 |
| 1, 2, 3, 4, 5b, 6e, 10-16, 19, 21 | 121527 | Rogue Quick Release One Arm Drive Retrofit Kit, 2° Camber, 24" Spoke with Poly Coated Drive Handrim, Plastic Coated Non Drive Handrim, 270-330mm Drive Shaft | 1 |
| 1, 2, 3, 4, 5b, 6f, 10-16, 19, 21 | 121528 | Rogue Quick Release One Arm Drive Retrofit Kit, 2° Camber, 24" Spoke with Poly Coated Drive Handrim, Plastic Coated Non Drive Handrim, 295-370mm Drive Shaft | 1 |
| 1, 2, 3, 4, 5b, 6g, 10-16, 19, 21 | 121529 | Rogue Quick Release One Arm Drive Retrofit Kit, 2° Camber, 24" Spoke with Poly Coated Drive Handrim, Plastic Coated Non Drive Handrim, 350-460mm Drive Shaft | 1 |
| 1, 2, 3, 4, 5b, 6h, 10-16, 19, 21 | 121530 | Rogue Quick Release One Arm Drive Retrofit Kit, 2° Camber, 24" Spoke with Poly Coated Drive Handrim, Plastic Coated Non Drive Handrim, 420-530mm Drive Shaft | 1 |
| 1, 2, 3, 4, 5c, 6c, 10-16, 19, 21 | 121531 | Rogue Quick Release One Arm Drive Retrofit Kit, 4° Camber, 24" Spoke with Poly Coated Drive Handrim, Plastic Coated Non Drive Handrim, 195-235mm Drive Shaft | 1 |

| Item Number | Part Number | Description | Quantity |
|-----------------------------------|-------------|--|----------|
| 1, 2, 3, 4, 5c, 6d, 10-16, 19, 21 | 121532 | Rogue Quick Release One Arm Drive Retrofit Kit, 4° Camber, 24" Spoke with Poly Coated Drive Handrim, Plastic Coated Non Drive Handrim, 220-280mm Drive Shaft | 1 |
| 1, 2, 3, 4, 5c, 6e, 10-16, 19, 21 | 121533 | Rogue Quick Release One Arm Drive Retrofit Kit, 4° Camber, 24" Spoke with Poly Coated Drive Handrim, Plastic Coated Non Drive Handrim, 270-330mm Drive Shaft | 1 |
| 1, 2, 3, 4, 5c, 6f, 10-16, 19, 21 | 121534 | Rogue Quick Release One Arm Drive Retrofit Kit, 4° Camber, 24" Spoke with Poly Coated Drive Handrim, Plastic Coated Non Drive Handrim, 295-370mm Drive Shaft | 1 |
| 1, 2, 3, 4, 5c, 6g, 10-16, 19, 21 | 121535 | Rogue Quick Release One Arm Drive Retrofit Kit, 4° Camber, 24" Spoke with Poly Coated Drive Handrim, Plastic Coated Non Drive Handrim, 350-460mm Drive Shaft | 1 |
| 1, 2a, 11b, 12, 21, 22 | 119589 | Quick Release One Arm Drive, 24" Spoke Wheel with Axle (Driven Side) and Close Mounted Aluminum Handrim | 1 |
| 1, 2b, 11b, 12, 21, 22 | 121855 | Quick Release One Arm Drive, 24" Spoke Wheel with Axle (Driven Side) and Close Mounted Plastic Coated Handrim | 1 |
| 1, 3, 4, 13 | 115288 | Quick Release One Arm Drive Drive, 24" Spoke Wheel with Axle and Poly Coated Drive Handrim | 1 |
| 10, 11a, 12 | 502168 | Handrim Hardware Kit, 6 Rivet Nut, EACH | 1 |
| 2a | 200349 | Handrim Hard Anodized 6 Rivet Nut 24" <i>Does not include mounting hardware</i> | 1 |
| 2b | 112821 | Handrim Plastic Coated 6 Rivet Nut 24" <i>Does not include mounting hardware</i> | 1 |
| 2a, 11b, 12, 22 | 116449 | Aluminum Anodized Handrim 6 Rivet Nut 24" with Close Mount Hardware, Non-Drive Side | 1 |
| 2b, 11b, 12, 22 | 121852 | Plastic Coated Handrim 6 Rivet Nut 24" with Close Mount Hardware, Non-Drive Side | 1 |
| 3 | 112435 | Quick Release One Arm Drive, Poly Coated Drive Side Handrim for 24" Wheel <i>Does not include mounting hardware</i> | 1 |
| 5a | 107031 | One Arm Drive Blade/Quick Release Camber Plug w/Bearings - 0° Camber | 2 |
| 5a, 19 | 108074 | One Arm Drive Rogue/Clik Axle Mount 0 Degree Camber PAIR | 1 |
| 5b, 19 | 003209 | One Arm Drive Rogue/Clik Axle Mount 2 Degree Camber, PAIR | 1 |
| 5c, 19 | 003210 | One Arm Drive Rogue/Clik Axle Mount 4 Degree Camber Each | 2 |
| 6a | 111858 | One Arm Drive - Quick Release Camber Drive Shaft 170-195mm | 1 |
| 6b | 111627 | One Arm Drive - Quick Release Camber Drive Shaft 180-210mm | 1 |
| 6c | 111628 | One Arm Drive - Quick Release Camber Drive Shaft 195-235mm | 1 |
| 6d | 111498 | One Arm Drive - Quick Release Camber Drive Shaft 220-280mm | 1 |

| Item Number | Part Number | Description | Quantity |
|-------------|-------------|---|----------|
| 6e | 111499 | One Arm Drive - Quick Release Camber Drive Shaft 270-330mm | 1 |
| 6f | 111500 | One Arm Drive - Quick Release Camber Drive Shaft 295-370mm | 1 |
| 6g | 111501 | One Arm Drive - Quick Release Camber Drive Shaft 350-460mm | 1 |
| 6h | 111502 | One Arm Drive - Quick Release Camber Drive Shaft 420-530mm | 1 |
| 7 | 000920 | Camber Mount Cap Rigid | 2 |
| 8a | 000924 | Camber Mount Tower Medium Black Anodized Rigid | 1 |
| 8b | 000924_ _ _ | Color Anodized/Color Accent Camber Mount Tower Medium Rigid | 2 |
| 8c | 000925 | Camber Mount Tower Long Black Anodized Rigid | 2 |
| 8d | 000925_ _ _ | Color Anodized/Color Accent Camber Mount Tower Long Rigid | 2 |
| 8e | 000926 | Camber Mount Tower Extra Long Black Anodized Rigid | 2 |
| 8f | 000926_ _ _ | Color Anodized/Color Accent Camber Mount Tower Extra Long Rigid | 2 |
| 9a, 15, 20 | 503289 | Camber Tower Clamp Black Anodized w/ Hardware Assembly, One Side RG/LW <i>If negative CG, see Rogue and Little Wave Camber Mount page</i> | 1 |
| 9b, 15, 20 | 503289_ _ _ | Color Anodized/Color Accent Camber Tower Clamp w/ Hardware Assembly, One Side RG/LW <i>If negative CG, see Rogue and Little Wave Camber Mount page</i> | 1 |
| 10 | 122063 | PHMS, M5x0.8x40, CLS4.8, PHL, BLZ, NYL, DIN7985, Custom | 6 |
| 11a | 100653 | Handrim Spacer Spoke | 6 |
| 12 | 100698 | Handrim Tab | 6 |
| 13 | 103522 | M5 x 0.8 x 12 FHCS CLS 10.9 Nyl Blk Zn DIN7991 | 3 |
| 14 | 101734 | M5 x 35 SHCS BLK ZC | 2 |
| 15 | 100657 | M5 Nylock Nut Blk Zn | 4 |
| 16 | 101717 | M5 x 25 SHCS BLK ZC | 2 |
| 17a | 111503 | One Arm Drive - Quick Release Zero Camber Drive Shaft 177-255mm | 1 |
| 17b | 111504 | One Arm Drive - Quick Release Zero Camber Drive Shaft 225-295mm | 1 |
| 17c | 111505 | One Arm Drive - Quick Release Zero Camber Drive Shaft 260-370mm | 1 |
| 17d | 111506 | One Arm Drive - Quick Release Zero Camber Drive Shaft 330-440mm | 1 |
| 17e | 111507 | One Arm Drive - Quick Release Zero Camber Drive Shaft 421-491mm | 1 |

| Item Number | Part Number | Description | Quantity |
|-------------|-------------|--|----------|
| 18c | 111515 | Replacement Spoke, Quick Release One Arm Drive, 24" | 1 |
| 20 | 101186 | M5 X 45 CLS12.9 DIN912 SHCS P/THD BLZ <i>Used with positive CG. If negative CG, see Rogue and Little Wave Camber Mount page</i> | 4 |
| 21 | 111512 | Quick Release One Arm Drive, 24" Spoke Wheel with Axle (Driven Side) | 1 |
| 22 | 122065 | BHCS, M5x0.8x25, CLS12.9, BLZ, NYL, ISO7380, Custom | 1 |
| 23a | 003369 | One Arm Drive Camber Tube 11" Kit, Klik / Rogue XP <i>Does not include tube end plugs</i> | 1 |
| 23b | 003370 | One Arm Drive Camber Tube 12" Kit, Klik / Rogue / Rogue XP <i>Does not include tube end plugs</i> | 1 |
| 23c | 003371 | One Arm Drive Camber Tube 13" Kit, Klik / Rogue / Rogue XP <i>Does not include tube end plugs</i> | 1 |
| 23d | 003372 | One Arm Drive Camber Tube 14" Kit, Klik / Rogue / Rogue XP <i>Does not include tube end plugs</i> | 1 |
| 23e | 003373 | One Arm Drive Camber Tube 15" Kit, Klik / Rogue / Rogue XP <i>Does not include tube end plugs</i> | 1 |
| 23f | 003374 | One Arm Drive Camber Tube 16" Kit, Klik / Rogue / Rogue XP <i>Does not include tube end plugs</i> | 1 |
| 23g | 003708 | One Arm Drive Camber Tube 17" Kit, Klik / Rogue / Rogue XP <i>Does not include tube end plugs</i> | 1 |
| 23h | 003709 | One Arm Drive Camber Tube 18" Kit, Klik / Rogue / Rogue XP <i>Does not include tube end plugs</i> | 1 |
| 23i | 116857 | One Arm Drive Camber Tube 19" Kit, Rogue <i>Does not include tube end plugs</i> | 1 |
| 23j | 116858 | One Arm Drive Camber Tube 20" Kit, Rogue <i>Does not include tube end plugs</i> | 1 |
| 24 | 100532 | Tube End Plug 1 1/8" | 1 |

| DRIVE SHAFT LENGTH BY CONFIGURATION | | | | |
|-------------------------------------|---------------|--|---|-------------|
| ROGUE SEAT WIDTH | WHEEL SPACING | CAMBER | DESCRIPTION | PART NUMBER |
| SEAT WIDTH 11" | 1.75 | 0 | QUICK RELEASE OAD ZERO CAMBER DRIVE SHAFT 177-255MM | ~111503 |
| | .75, 1 | 2 | QUICK RELEASE OAD CAMBER DRIVE SHAFT 170-195MM | #111858 |
| | 1.25 | 2 | QUICK RELEASE OAD CAMBER DRIVE SHAFT 180-210MM | #111627 |
| | 1.5 | 2 | QUICK RELEASE OAD CAMBER DRIVE SHAFT 195-235MM | #111628 |
| | 1.75 | 2 | QUICK RELEASE OAD CAMBER DRIVE SHAFT 195-235MM | ~111628 |
| | 1 | 4 | QUICK RELEASE OAD CAMBER DRIVE SHAFT 195-235MM | #111628 |
| | 1.25 | 4 | QUICK RELEASE OAD CAMBER DRIVE SHAFT 220-280MM | ~111498 |
| SEAT WIDTH 12" | 1.5 | 0 | QUICK RELEASE OAD ZERO CAMBER DRIVE SHAFT 177-255MM | 111503 |
| | 1.75 | 0 | QUICK RELEASE OAD ZERO CAMBER DRIVE SHAFT 177-255MM | ~111503 |
| | .75, 1 | 2 | QUICK RELEASE OAD CAMBER DRIVE SHAFT 180-210MM | #111627 |
| | 1.25, 1.5 | 2 | QUICK RELEASE OAD CAMBER DRIVE SHAFT 195-235MM | 111628 |
| | 1.75 | 2 | QUICK RELEASE OAD CAMBER DRIVE SHAFT 220-280MM | ~111498 |
| | 0.75 | 4 | QUICK RELEASE OAD CAMBER DRIVE SHAFT 195-235MM | 111628 |
| | 1 | 4 | QUICK RELEASE OAD CAMBER DRIVE SHAFT 220-280MM | ~111498 |
| 1.25 | 4 | QUICK RELEASE OAD CAMBER DRIVE SHAFT 220-280MM | ~111498 | |
| SEAT WIDTH 13" | 1, 1.25, 1.5 | 0 | QUICK RELEASE OAD ZERO CAMBER DRIVE SHAFT 177-255MM | 111503 |
| | 1.75 | 0 | QUICK RELEASE OAD ZERO CAMBER DRIVE SHAFT 225-295MM | ~111504 |
| | .75, 1 | 2 | QUICK RELEASE OAD CAMBER DRIVE SHAFT 195-235MM | 111628 |
| | 1.25, 1.5 | 2 | QUICK RELEASE OAD CAMBER DRIVE SHAFT 220-280MM | 111498 |
| | 1.75 | 2 | QUICK RELEASE OAD CAMBER DRIVE SHAFT 220-280MM | ~111498 |
| | 0.75 | 4 | QUICK RELEASE OAD CAMBER DRIVE SHAFT 220-280MM | 111498 |
| | 1 | 4 | QUICK RELEASE OAD CAMBER DRIVE SHAFT 220-280MM | ~111498 |
| 1.25 | 4 | QUICK RELEASE OAD CAMBER DRIVE SHAFT 270-330MM | ~111499 | |
| SEAT WIDTH 14" | 1, 1.25 | 0 | QUICK RELEASE OAD ZERO CAMBER DRIVE SHAFT 177-255MM | 111503 |
| | 1.5 | 0 | QUICK RELEASE OAD ZERO CAMBER DRIVE SHAFT 225-295MM | 111504 |
| | 1.75 | 0 | QUICK RELEASE OAD ZERO CAMBER DRIVE SHAFT 225-295MM | ~111504 |
| | .75, 1, 1.25 | 2 | QUICK RELEASE OAD CAMBER DRIVE SHAFT 220-280MM | 111498 |
| | 1.5 | 2 | QUICK RELEASE OAD CAMBER DRIVE SHAFT 270-330MM | #111499 |
| | 1.75 | 2 | QUICK RELEASE OAD CAMBER DRIVE SHAFT 270-330MM | ~111499 |
| | 0.75 | 4 | QUICK RELEASE OAD CAMBER DRIVE SHAFT 270-330MM | #111499 |
| 1 | 4 | QUICK RELEASE OAD CAMBER DRIVE SHAFT 270-330MM | ~111499 | |
| 1.25 | 4 | QUICK RELEASE OAD CAMBER DRIVE SHAFT 270-330MM | ~111499 | |
| SEAT WIDTH 15" | 1, 1.25, 1.5 | 0 | QUICK RELEASE OAD ZERO CAMBER DRIVE SHAFT 225-295MM | 111504 |
| | 1.75 | 0 | QUICK RELEASE OAD ZERO CAMBER DRIVE SHAFT 260-370MM | ~111505 |
| | 0.75 | 2 | QUICK RELEASE OAD CAMBER DRIVE SHAFT 220-280MM | 111498 |
| | 1 | 2 | QUICK RELEASE OAD CAMBER DRIVE SHAFT 270-330MM | #111499 |
| | 1.25, 1.5 | 2 | QUICK RELEASE OAD CAMBER DRIVE SHAFT 270-330MM | 111499 |
| | 1.75 | 2 | QUICK RELEASE OAD CAMBER DRIVE SHAFT 295-370MM | ~111500 |
| | 0.75 | 4 | QUICK RELEASE OAD CAMBER DRIVE SHAFT 270-330MM | 111499 |
| | 1 | 4 | QUICK RELEASE OAD CAMBER DRIVE SHAFT 295-370MM | ~111500 |
| 1.25 | 4 | QUICK RELEASE OAD CAMBER DRIVE SHAFT 295-370MM | ~111500 | |

| Rogue No-Go Configurations | | | |
|----------------------------|--------|---------------|------------------|
| Wheel Size | Camber | Wheel Spacing | Rear Seat Height |
| 24 | 0 | 1 | 14.5 |
| 24 | 0 | 1 | 15 |
| 24 | 0 | 1 | 15.5 |
| 22 | 0 | 1 | 14.5 |
| 22 | 0 | 1 | 15 |
| 22 | 0 | 1 | 15.5 |
| 20 | 0 | 1 | 12.5 |
| 20 | 0 | 1 | 13 |

Seat width less than 16" + any rear wheel camber + any 5th wheel = N/A with QR OAD

#For this configuration, one wheel must be removed before the driveshaft can be installed. The second wheel can be installed
 ~For this configuration, tower assemblies are to be mounted outboard of the frame.
 NOTE: Tower assemblies must be mounted outboard of the frame when offset frames are used.
 NOTE: 1.25" minimum wheel spacing is required when side guards are used.

| DRIVE SHAFT LENGTH BY CONFIGURATION | | | | |
|-------------------------------------|--------------------|--------|---|-------------|
| ROGUE SEAT WIDTH | WHEEL SPACING | CAMBER | DESCRIPTION | PART NUMBER |
| SEAT WIDTH 16" | 1 | 0 | QUICK RELEASE OAD ZERO CAMBER DRIVE SHAFT 225-295MM | 111504 |
| | 1.25, 1.5 | 0 | QUICK RELEASE OAD ZERO CAMBER DRIVE SHAFT 260-370MM | 111505 |
| | 1.75 | 0 | QUICK RELEASE OAD ZERO CAMBER DRIVE SHAFT 260-370MM | ~111505 |
| | .75, 1 | 2 | QUICK RELEASE OAD CAMBER DRIVE SHAFT 270-330MM | 111499 |
| | 1.25, 1.5 | 2 | QUICK RELEASE OAD CAMBER DRIVE SHAFT 295-370MM | 111500 |
| | 1.75 | 2 | QUICK RELEASE OAD CAMBER DRIVE SHAFT 295-370MM | ~111500 |
| | 0.75 | 4 | QUICK RELEASE OAD CAMBER DRIVE SHAFT 295-370MM | 111500 |
| | 1 | 4 | QUICK RELEASE OAD CAMBER DRIVE SHAFT 295-370MM | ~111500 |
| | 1.25 | 4 | QUICK RELEASE OAD CAMBER DRIVE SHAFT 295-370MM | ~111500 |
| SEAT WIDTH 17" | 1, 1.25, 1.5 | 0 | QUICK RELEASE OAD ZERO CAMBER DRIVE SHAFT 260-370MM | 111505 |
| | 1.75 | 0 | QUICK RELEASE OAD ZERO CAMBER DRIVE SHAFT 330-440MM | ~111506 |
| | .75, 1, 1.25, 1.5 | 2 | QUICK RELEASE OAD CAMBER DRIVE SHAFT 295-370MM | 111500 |
| | 1.75 | 2 | QUICK RELEASE OAD CAMBER DRIVE SHAFT 350-460MM | ~111501 |
| | 0.75 | 4 | QUICK RELEASE OAD CAMBER DRIVE SHAFT 295-370MM | 111500 |
| | 1 | 4 | QUICK RELEASE OAD CAMBER DRIVE SHAFT 350-460MM | ~111501 |
| | 1.25 | 4 | QUICK RELEASE OAD CAMBER DRIVE SHAFT 350-460MM | ~111501 |
| SEAT WIDTH 18" | 1, 1.25 | 0 | QUICK RELEASE OAD ZERO CAMBER DRIVE SHAFT 260-370MM | 111505 |
| | 1.5 | 0 | QUICK RELEASE OAD ZERO CAMBER DRIVE SHAFT 330-440MM | 111506 |
| | 1.75 | 0 | QUICK RELEASE OAD ZERO CAMBER DRIVE SHAFT 330-440MM | ~111506 |
| | .75, 1 | 2 | QUICK RELEASE OAD CAMBER DRIVE SHAFT 295-370MM | 111500 |
| | 1.25, 1.5 | 2 | QUICK RELEASE OAD CAMBER DRIVE SHAFT 350-460MM | 111501 |
| | 1.75 | 2 | QUICK RELEASE OAD CAMBER DRIVE SHAFT 350-460MM | ~111501 |
| | 0.75 | 4 | QUICK RELEASE OAD CAMBER DRIVE SHAFT 295-370MM | 111500 |
| | 1 | 4 | QUICK RELEASE OAD CAMBER DRIVE SHAFT 350-460MM | ~111501 |
| | 1.25 | 4 | QUICK RELEASE OAD CAMBER DRIVE SHAFT 350-460MM | ~111501 |
| SEAT WIDTH 19" | 1, 1.25, 1.5 | 0 | QUICK RELEASE OAD ZERO CAMBER DRIVE SHAFT 330-440MM | 111506 |
| | 1.75 | 0 | QUICK RELEASE OAD ZERO CAMBER DRIVE SHAFT 330-440MM | ~111506 |
| | 0.75 | 2 | QUICK RELEASE OAD CAMBER DRIVE SHAFT 220-280MM | 111498 |
| | 1 | 2 | QUICK RELEASE OAD CAMBER DRIVE SHAFT 270-330MM | 111499 |
| | 1.25 | 2 | QUICK RELEASE OAD CAMBER DRIVE SHAFT 295-370MM | 111500 |
| | 1.5 | 2 | QUICK RELEASE OAD CAMBER DRIVE SHAFT 350-460MM | 111501 |
| | 1.75 | 2 | QUICK RELEASE OAD CAMBER DRIVE SHAFT 350-460MM | ~111501 |
| | 0.75 | 4 | QUICK RELEASE OAD CAMBER DRIVE SHAFT 350-460MM | 111501 |
| | 1 | 4 | QUICK RELEASE OAD CAMBER DRIVE SHAFT 350-460MM | ~111501 |
| | 1.25 | 4 | QUICK RELEASE OAD CAMBER DRIVE SHAFT 350-460MM | ~111501 |
| SEAT WIDTH 20" | 1, 1.25, 1.5 | 0 | QUICK RELEASE OAD ZERO CAMBER DRIVE SHAFT 330-440MM | 111506 |
| | 1.75 | 0 | QUICK RELEASE OAD ZERO CAMBER DRIVE SHAFT 421-491MM | ~111507 |
| | 0.75, 1, 1.25, 1.5 | 2 | QUICK RELEASE OAD CAMBER DRIVE SHAFT 350-460MM | 111501 |
| | 1.75 | 2 | QUICK RELEASE OAD CAMBER DRIVE SHAFT 420-530MM | ~111502 |
| | 0.75 | 4 | QUICK RELEASE OAD CAMBER DRIVE SHAFT 350-460MM | 111501 |
| | 1 | 4 | QUICK RELEASE OAD CAMBER DRIVE SHAFT 420-530MM | ~111502 |
| | 1.25 | 4 | QUICK RELEASE OAD CAMBER DRIVE SHAFT 420-530MM | ~111502 |

#For this configuration, one wheel must be removed before the driveshaft can be installed. The second wheel can be installed once

~For this configuration, tower assemblies are to be mounted outboard of the frame.

NOTE: Tower assemblies must be mounted outboard of the frame when offset frames are used.

NOTE: 1.25" minimum wheel spacing is required when side guards are used.

| DRIVE SHAFT CONFIGURATIONS FOR ROGUE WITH T-ARMS | | | | |
|--|---------------|--------|---|-------------|
| ROGUE SEAT WIDTH | WHEEL SPACING | CAMBER | DESCRIPTION | PART NUMBER |
| SEAT WIDTH 11" | 1.75 | 0 | QUICK RELEASE OAD ZERO CAMBER DRIVE SHAFT 177-255MM | 111503 |
| | 1.75 | 2 | QUICK RELEASE OAD CAMBER DRIVE SHAFT 195-235MM | 111628 |
| SEAT WIDTH 12" | 1.75 | 0 | QUICK RELEASE OAD ZERO CAMBER DRIVE SHAFT 177-255MM | 111503 |
| | 1.75 | 2 | QUICK RELEASE OAD CAMBER DRIVE SHAFT 220-280MM | 111498 |
| SEAT WIDTH 13" | 1.75 | 0 | QUICK RELEASE OAD ZERO CAMBER DRIVE SHAFT 225-295MM | 111504 |
| | 1.75 | 2 | QUICK RELEASE OAD CAMBER DRIVE SHAFT 220-280MM | 111498 |
| SEAT WIDTH 14" | 1.75 | 0 | QUICK RELEASE OAD ZERO CAMBER DRIVE SHAFT 225-295MM | 111504 |
| | 1.75 | 2 | QUICK RELEASE OAD CAMBER DRIVE SHAFT 270-330MM | 111499 |
| SEAT WIDTH 15" | 1.75 | 0 | QUICK RELEASE OAD ZERO CAMBER DRIVE SHAFT 260-370MM | 111505 |
| | 1.75 | 2 | QUICK RELEASE OAD CAMBER DRIVE SHAFT 295-370MM | 111500 |
| SEAT WIDTH 16" | 1.75 | 0 | QUICK RELEASE OAD ZERO CAMBER DRIVE SHAFT 260-370MM | 111505 |
| | 1.75 | 2 | QUICK RELEASE OAD CAMBER DRIVE SHAFT 295-370MM | 111500 |
| SEAT WIDTH 17" | 1.75 | 0 | QUICK RELEASE OAD ZERO CAMBER DRIVE SHAFT 330-440MM | 111506 |
| | 1.75 | 2 | QUICK RELEASE OAD CAMBER DRIVE SHAFT 350-460MM | 111501 |
| SEAT WIDTH 18" | 1.75 | 0 | QUICK RELEASE OAD ZERO CAMBER DRIVE SHAFT 330-440MM | 111506 |
| | 1.75 | 2 | QUICK RELEASE OAD CAMBER DRIVE SHAFT 350-460MM | 111501 |
| SEAT WIDTH 19" | 1.75 | 0 | QUICK RELEASE OAD ZERO CAMBER DRIVE SHAFT 330-440MM | 111506 |
| | 1.75 | 2 | QUICK RELEASE OAD CAMBER DRIVE SHAFT 350-460MM | 111501 |
| SEAT WIDTH 20" | 1.75 | 0 | QUICK RELEASE OAD ZERO CAMBER DRIVE SHAFT 421-491MM | 111507 |
| | 1.75 | 2 | QUICK RELEASE OAD CAMBER DRIVE SHAFT 420-530MM | 111502 |

NOTE: TOWER ASSEMBLIES ARE TO BE MOUNTED OUTBOARD OF THE FRAME WHEN T-ARMS ARE USED.

Color Anodizing Samples

