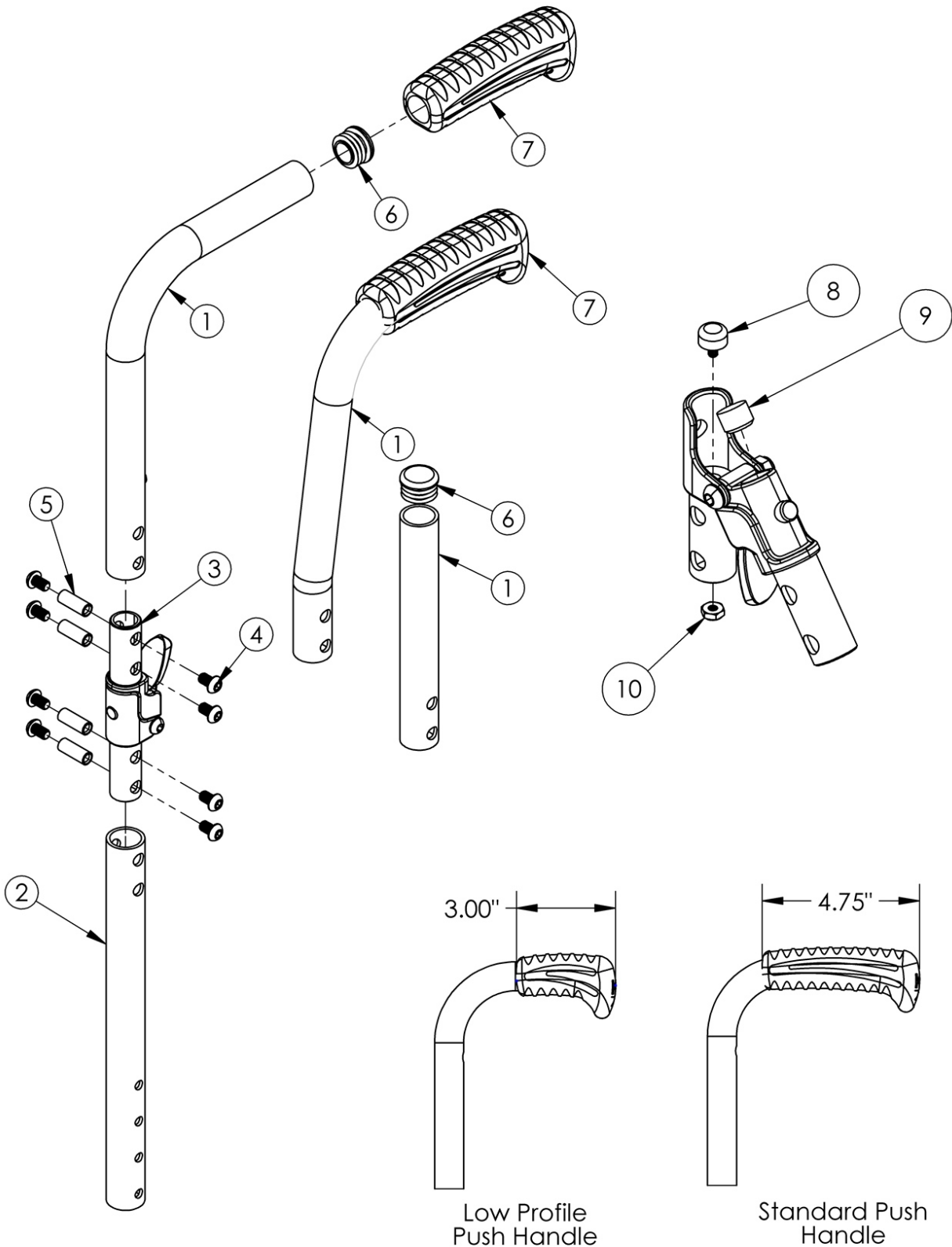


Catalyst Half Folding Backrest



Not available with Transit option, Heavy Duty option, Flip Back Armrest or Angle Adjustable Locking Extendable Flip Up Armrest Low Profile Push Handles are not available with Drum Brake If changing from another style backrest and the Drum Brake is present, a new Drum Brake Cable Kit may be required

Item Number	Part Number	Description	Quantity
3a, 4, 5, 8-10	504599	Half Folding Backrest Hinge Latch Assembly Left	1
3b, 4, 5, 8-10	504600	Half Folding Backrest Hinge Latch Assembly Right	1
3a, 3b, 4, 5, 8-10	504601	Half Folding Backrest Hinge Latch Assembly Pair	1
1a, 2, 3a, 4-6, 7a, 8-10	504602	Half Folding Back Post Assembly Short Straight w/ Standard Push Handle Left	1
1a, 2, 3b, 4-6, 7a, 8-10	504603	Half Folding Back Post Assembly Short Straight w/ Standard Push Handle Right	1
1a, 2, 3a, 3b, 4-6, 7a, 8-10	504604	Half Folding Back Post Assembly Short Straight w/ Standard Push Handle Pair	1
1b, 2, 3a, 4-6, 7a, 8-10	504605	Half Folding Back Post Assembly Tall Straight w/ Standard Push Handle Left	1
1b, 2, 3b, 4-6, 7a, 8-10	504606	Half Folding Back Post Assembly Tall Straight w/ Standard Push Handle Right	1
1b, 2, 3a, 3b, 4-6, 7a, 8-10	504607	Half Folding Back Post Assembly Tall Straight w/ Standard Push Handle Pair	1
1c, 2, 3a, 4-6, 7b, 8-10	504608	Half Folding Back Post Assembly Short Straight w/ Low Profile Push Handle Left	1
1c, 2, 3b, 4-6, 7b, 8-10	504609	Half Folding Back Post Assembly Short Straight w/ Low Profile Push Handle Right	1
1c, 2, 3a, 3b, 4-6, 7b, 8-10	504610	Half Folding Back Post Assembly Short Straight w/ Low Profile Push Handle Pair	1
1d, 2, 3a, 4-6, 7b, 8-10	504611	Half Folding Back Post Assembly Tall Straight w/ Low Profile Push Handle Left	1
1d, 2, 3b, 4-6, 7b, 8-10	504612	Half Folding Back Post Assembly Tall Straight w/ Low Profile Push Handle Right	1
1d, 2, 3a, 3b, 4-6, 7b, 8-10	504613	Half Folding Back Post Assembly Tall Straight w/ Low Profile Push Handle Pair	1
1e, 2, 3a, 4-6, 8-10	504614	Half Folding Back Post Assembly Short Straight Left	1
1e, 2, 3b, 4-6, 8-10	504615	Half Folding Back Post Assembly Short Straight Right	1
1e, 2, 3a, 3b, 4-6, 8-10	504616	Half Folding Back Post Assembly Short Straight Pair	1
1f, 2, 3a, 4-6, 8-10	504617	Half Folding Back Post Assembly Tall Straight Left	1
1f, 2, 3b, 4-6, 8-10	504618	Half Folding Back Post Assembly Tall Straight Right	1
1f, 2, 3a, 3b, 4-6, 8-10	504619	Half Folding Back Post Assembly Tall Straight Pair	1
1g, 2, 3a, 4-6, 7a, 8-10	504620	Half Folding Back Post Assembly Short 8 Degree Bend with Standard Push Handle Left	1
1g, 2, 3b, 4-6, 7a, 8-10	504621	Half Folding Back Post Assembly Short 8 Degree Bend with Standard Push Handle Right	1
1g, 2, 3a, 3b, 4-6, 7a, 8-10	504622	Half Folding Back Post Assembly Short 8 Degree Bend with Standard Push Handle Pair	1

Item Number	Part Number	Description	Quantity
1h, 2, 3a, 4-6, 7a, 8-10	504623	Half Folding Back Post Assembly Tall 8 Degree Bend with Standard Push Handle Left	1
1h, 2, 3b, 4-6, 7a, 8-10	504624	Half Folding Back Post Assembly Tall 8 Degree Bend with Standard Push Handle Right	1
1h, 2, 3a, 3b, 4-6, 7a, 8-10	504625	Half Folding Back Post Assembly Tall 8 Degree Bend with Standard Push Handle Pair	1
1i, 2, 3a, 4-6, 7b, 8-10	504626	Half Folding Back Post Assembly Short 8 Degree Bend with Low Profile Push Handle Left	1
1i, 2, 3b, 4-6, 7b, 8-10	504627	Half Folding Back Post Assembly Short 8 Degree Bend with Low Profile Push Handle Right	1
1i, 2, 3a, 3b, 4-6, 7b, 8-10	504628	Half Folding Back Post Assembly Short 8 Degree Bend with Low Profile Push Handle Pair	1
1j, 2, 3a, 4-6, 7b, 8-10	504629	Half Folding Back Post Assembly Tall 8 Degree Bend with Low Profile Push Handle Left	1
1j, 2, 3b, 4-6, 7b, 8-10	504630	Half Folding Back Post Assembly Tall 8 Degree Bend with Low Profile Push Handle Right	1
1j, 2, 3a, 3b, 4-6, 7b, 8-10	504631	Half Folding Back Post Assembly Tall 8 Degree Bend with Low Profile Push Handle Pair	1
4	101184	M6 x 10 BTN SHCS BLKZC w/Patch	8
5	000669	M6 x 20.5 Threaded Barrel	4
6	100803	Tube End Plug 7/8"	1