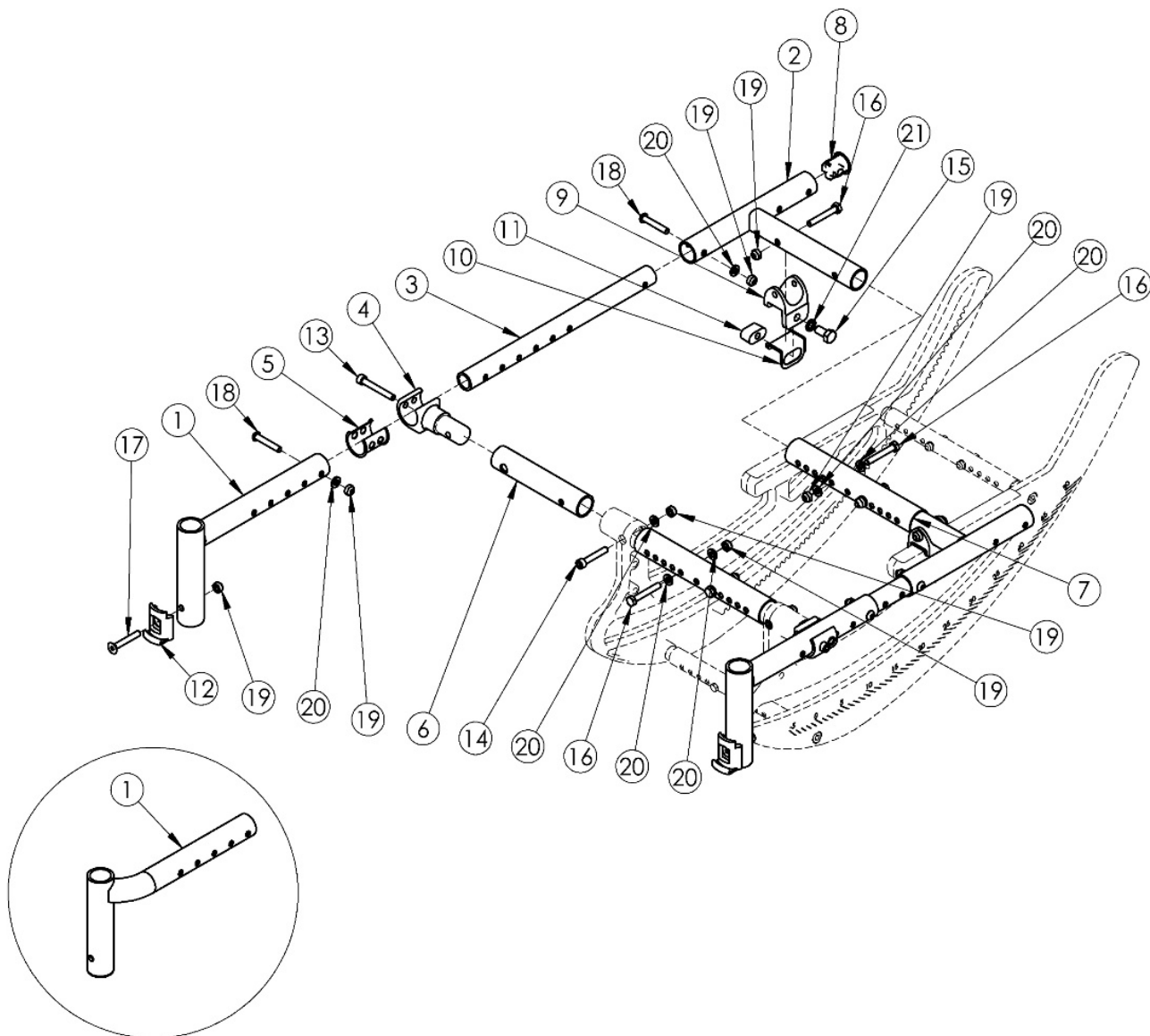


Focus CR Seat Frame



Offset seat tube (1d-1i)

If changing to Offset Seat Tubes (Offset Hangers), Tilt Stops are required and new sized footplates and heel loops may also be required Seat Frame Assemblies based on Frame Depth Range If chair has Contracture Footrests, select Seat Frame Assembly Contracture Focus kit. The appropriate Seat Tube will be included on the Hanger - Contracture Footrest page.

Item Number	Part Number	Description	Quantity
1a	001038	Seat Tube Weld Front Short TILT	2
1b	001039	Seat Tube Weld Front Medium TILT	2
1c	001040	Seat Tube Weld Front Long HD	2
1d	001046	Seat Tube Weld Front Offset Right Short TILT	1

Item Number	Part Number	Description	Quantity
1e	001047	Seat Tube Weld Front Offset Right Medium TILT	1
1f	001048	Seat Tube Weld Front Offset Right Long HD TILT	1
1g	001049	Seat Tube Weld Front Offset Left Short TILT	1
1h	001050	Seat Tube Weld Front Offset Left Medium TILT	1
1i	001051	Seat Tube Weld Front Offset Left Long HD TILT	1
1a, 2 - 6, 8 - 11, 13 - 16, 18 - 21	501073	Seat Frame Assm Short Standard Focus	1
1b, 2 - 6, 8 - 11, 13 - 16, 18 - 21	501074	Seat Frame Assm Medium Standard Focus	1
1c, 2 - 6, 8 - 11, 13 - 16, 18 - 21	501075	Seat Frame Assm Long Standard Focus	1
1d, 1g, 2 - 6, 8 - 11, 13 - 16, 18 - 21	501076	Seat Frame Assm Short Offset Focus	1
1e, 1h, 2 - 6, 8 - 11, 13 - 16, 18 - 21	501077	Seat Frame Assm Medium Offset Focus	1
1f, 1i, 2 - 6, 8 - 11, 13 - 16, 18 - 21	501078	Seat Frame Assm Long Offset Focus	1
1d, 1g, 2 - 6, 8 - 11, 13 - 16, 18 - 21	506502	Seat Frame Assembly Short Offset with Tilt Stops Focus <i>Includes a pair of Tilt Stops. Tilt Stops not shown in image.</i>	1
1e, 1h, 2 - 6, 8 - 11, 13 - 16, 18 - 21	506503	Seat Frame Assembly Medium Offset with Tilt Stops Focus <i>Includes a pair of Tilt Stops. Tilt Stops not shown in image.</i>	1
1f, 1i, 2 - 6, 8 - 11, 13 - 16, 18 - 21	506504	Seat Frame Assembly Long Offset with Tilt Stops Focus <i>Includes a pair of Tilt Stops. Tilt Stops not shown in image.</i>	1
2-6, 8-11, 13-16, 18-21	115979	Seat Frame Assembly Contracture Focus <i>No latch block needed with this part</i>	1
7a, 16, 19, 20	501126	Seat Frame Strut Assm Small Focus	1
7b, 16, 19, 20	501127	Seat Frame Strut Assm Medium Focus	1
7c, 16, 19, 20	501128	Seat Frame Strut Assm Large Focus	1
7d, 16, 19, 20	114276	Seat Frame Strut Assm X-Large Focus	1
2	111168	Seat Tube Weldment Steel, Rear <i>Replaced part number 001055</i>	2
3	001061	Growth Tube Seat Frame TILT	2

Item Number	Part Number	Description	Quantity
4	001034	Clamp Seat Tube Front TILT	2
5	001035	Sleeve Seat Tube Clamp TILT	2
6	001033	Strut End Seat TILT	2
7a	001011	Growth Strut, Base, Small Tilt	2
7b	001012	Growth Strut, Base, Medium Tilt	2
7c	001013	Growth Strut, Base, Large Tilt	2
7d	112005	Growth Strut, Base, X-Large Tilt	2
8	001028	Tube Plug 1" x .824"	2
9	001062	Saddle Rear Seat Strut TILT	2
10	001063	Liner Saddle Rear TILT	2
11	001064	Rear Seat Retainer TILT	2
12	000336	Latch Block	2
13	101472	M6 x 45 SHCS BLK ZC	2
14	101810	M6 x 35 SHCS BLK ZC	2
15	101828	M8 x 18 HHCS Blk Zn	2
16	101825	M6 x 40 HHCS Blk Zn	6
17	101819	M6 x 40 FHCS Blk Zn	2
18	101811	M6 x 35 BHCS Blk Zn	4
19	100658	M6 Nylock Nut Blk Zn	14
20	100746	M6 Flat Washer Blk Zn	14
21	101834	M8 Hi-Collar Lockwasher Blk Zn	2