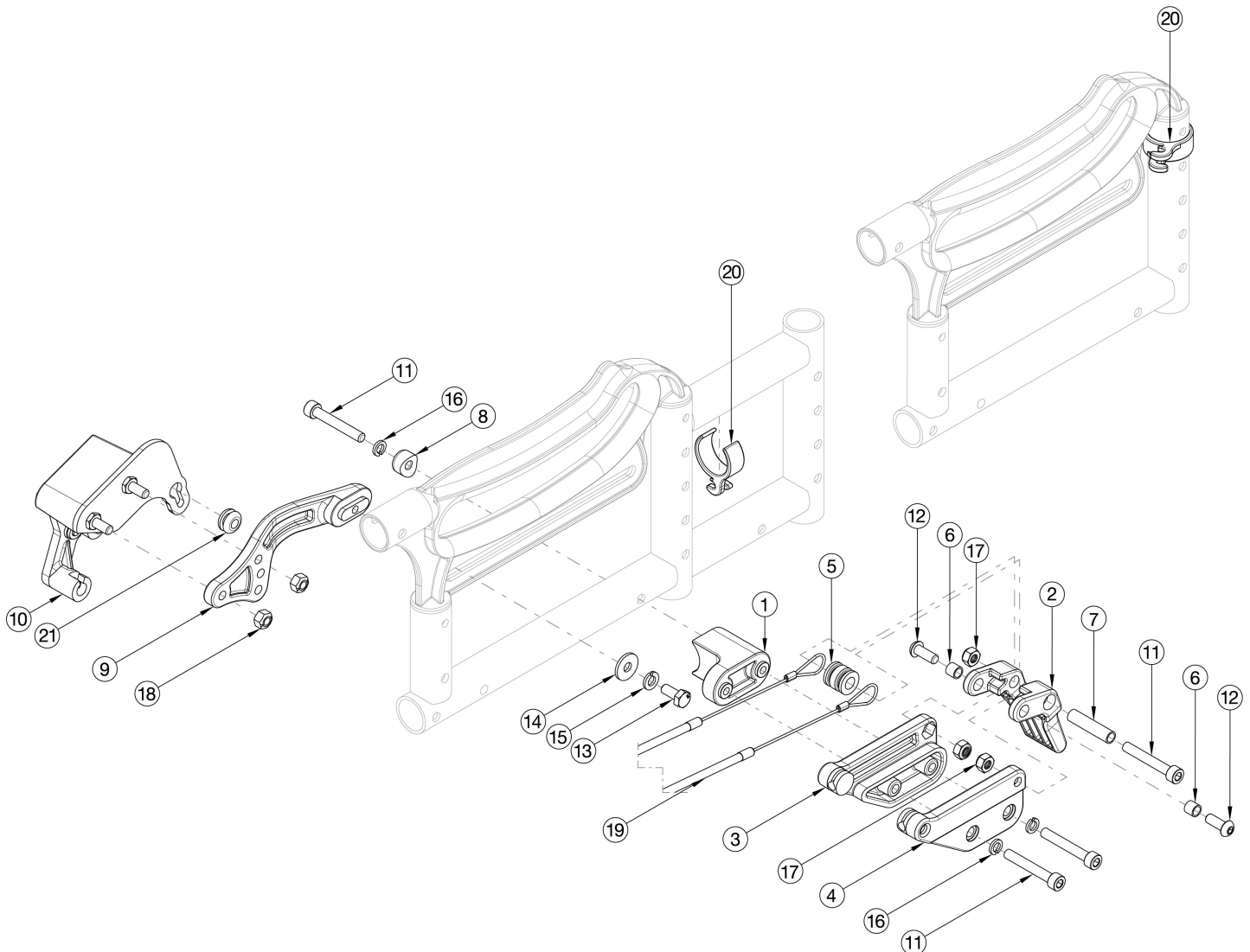


Arc Attendant Foot Lock



The attendant foot lock is mounted on the right side unless a right foot tilt is present. The Arc Wheel Lock Mount is the same across all styles of Wheel Locks and is not needed if changing Wheel Lock styles.

Item Number	Part Number	Description	Quantity
1-8, 9a, 9b, 10a, 10b, 11-18, 19a, 20, 21	122963	Attendant Foot Lock Assembly Retrofit Kit for Small and Medium Frame Widths	1
1-8, 9a, 9b, 10a, 10b, 11-18, 19b, 20, 21	122964	Attendant Foot Lock Assembly Retrofit Kit for Large and X-Large Frame Widths	1
10b, 18, 21	113517	Attendant Foot Lock Follower Assembly with Hardware, Right	1
10a, 18, 21	113518	Attendant Foot Lock Follower Assembly with Hardware, Left	1
10a, 10b, 18, 21	113519	Attendant Foot Lock Follower Assembly with Hardware, Right and Left	1

Item Number	Part Number	Description	Quantity
1-8, 11, 12, 16, 17	113520	Attendant Foot Lock Assembly with Pedal Mount	1
1-8, 10a, 10b, 11, 12, 16, 17	113925	Attendant Foot Lock Assembly Kit	1
1-8, 10a, 10b, 11, 12, 16-18, 19a, 20, 21	113521	Attendant Foot Lock Assembly Kit with Cable Small and Medium Frame Widths	1
1-8, 10a, 10b, 11, 12, 16-18, 19b, 20, 21	113522	Attendant Foot Lock Assembly Kit with Cable Large and X-Large Frame Widths	1
9a, 9b, 13-15	119824	Wheel Lock Mount Kit, Arc <i>Contains parts for both sides</i>	1
1	110225	Mount, Foot Tilt	1
9a	110238	Wheel Lock Mount, Right	1
9b	110239	Wheel Lock Mount, Left	1
10a	111591	Wheel Lock Follower Assembly without Mount, Left	1
10b	111592	Wheel Lock Follower Assembly without Mount, Right	1
11	101847	M6 x 40 SHCS Blk Zn	4
12	102634	M6 X 1.0 X 16 BHCS BLK ZC	2
13	102794	M6 x 14, HHCS, Blk Zn	1
14	101853	M6 Washer Blk Zn	1
15	101835	M6 Lock Washer Blk Zn	1
16	102810	M6 Lockwasher, Hi-Collar, ZC	3
17	100658	M6 Nylock Nut Blk Zn	3
18	101456	M6 Ovl Top L/N ZC	2
19a	111436	Cable, Foot Lock, Short <i>Used on small and medium width ranges</i>	2
19b	111437	Cable, Foot Lock, Long <i>Used on large and x-large width ranges</i>	2
20	001117	Cable Clip 1"	1
21	115743	Wheel Lock Retaining Grommet	1