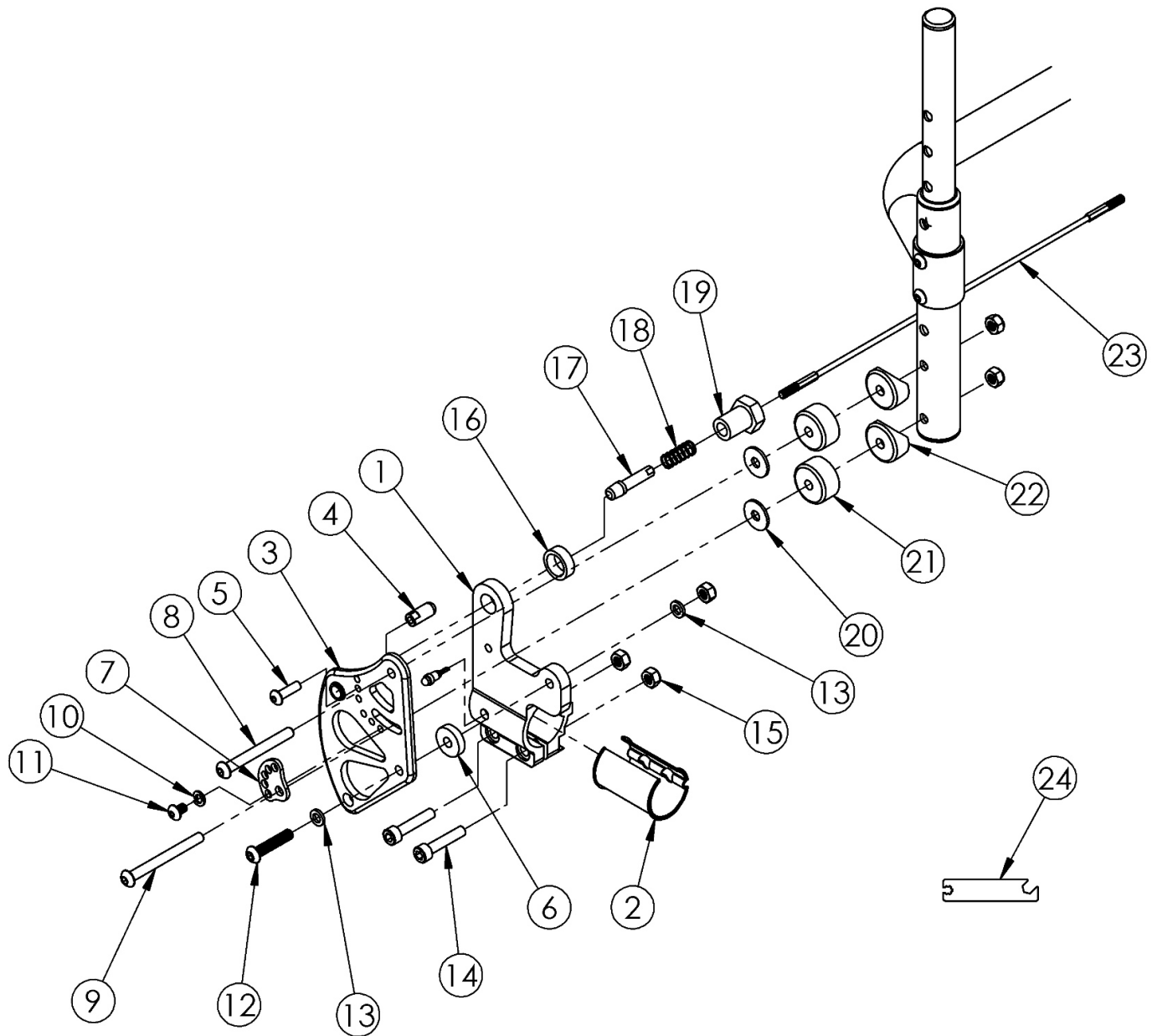


Clik 1" Offset Backrest Mount



Back Release Cable based on Seat Width. When replacing Spinergy Back Release Cable, 101991 is needed. If retrofitting or changing backrest mount style, a new rigidizer bar may be needed

Item Number	Part Number	Description	Quantity
1a, 2, 3a, 4-7, 8-22	502436	1" Inward Offset Backrest Mount Assembly Right Black CLIK	1
1a, 2, 3b, 4-7, 8-22	502436_---	1" Inward Offset Backrest Mount Assembly, Right, Color Anodized, CLIK	1
1b, 2, 3c, 4-7, 8-22	502437	1" Inward Offset Backrest Mount Assembly Left Black CLIK	1
1b, 2, 3d, 4-7, 8-22	502437_---	1" Inward Offset Backrest Mount Assembly, Left, Color Anodized, CLIK	1

Item Number	Part Number	Description	Quantity
1a, 1b, 2, 3a, 3c, 4-7, 8-22	502438	1" Inward Offset Backrest Mount Assembly PAIR Black CLIK	1
1a, 1b, 2, 3b, 3d, 4-7, 8-22	502438_ _ _	1" Inward Offset Backrest Mount Assembly, PAIR, Color Anodized, CLIK	1
1a	001783	Back Mount Right LW	1
1b	001784	Back Mount Left LW	1
2	001785	Back Sleeve	2
3a	003229	Back Bracket Relaxed Assembly Right, Black Anodized	1
3b	002770_ _ _	Back Bracket Relaxed Right Color Anodized/Color Accent	1
3c	003231	Back Bracket Relaxed Assembly Left, Black Anodized	1
3d	002771_ _ _	Back Bracket Relaxed Left Color Anodized/Color Accent	1
4	000922	Backrest Stop RG	1
5	101716	M5 x 16 SHCS Blk Zn	1
6	102630	Washer Nylon 25 X 75 X .187 Black	1
7	001762	Arc Adjustment Cam	1
8	003232	M6 x 55 BHCS Blk Zc	1
9	003241	M6 x 60 BHCS P/THD Custom Blk Zc	1
10	102614	M5 Split Lock Washer BLK ZC	1
11	102621	M5 x 8 BHCS BLK ZC	1
12	102625	M6 X 30 BHCS BLK ZC	1
13	100746	M6 Flat Washer Blk Zn	2
14	102627	M6 X 30 SHCS BLK ZC	2
15	100658	M6 Nylock Nut Blk Zn	5
16	001770	Spacer For Pin Receiver <i>This spacer is not used if Swing Away Armrests are present</i>	1
17b	119660	Lockout Pin	1
18	000965	Backrest Cable Release Spring RG	1
19	001768	Pin Receiver with Hex	1
20	102629	Seastrom 5610-69-062 Washer Nylon Black	2
21	002475	Offset Backrest Spacer	2

Item Number	Part Number	Description	Quantity
22	000055	Saddle 1"	2
23a, 17	121180	Back Release Cable 8" Wide Black with Lock Out Pins	1
23b, 17	121179	Back Release Cable 9" Wide Black with Lock Out Pins	1
23c, 17	121181	Back Release Cable 10" Wide Black with Lock Out Pins	1
23d, 17	121182	Back Release Cable, 11" Wide, Black with Lock Out Pins	1
23e, 17	121183	Back Release Cable, 12" Wide, Black with Lock Out Pins	1
23f, 17	121184	Back Release Cable, 13" Wide, Black with Lock Out Pins	1
23g, 17	121185	Back Release Cable, 14" Wide, Black with Lock Out Pins	1
23h, 17	121186	Back Release Cable, 15" Wide, Black with Lock Out Pins	1
23i, 17	121187	Back Release Cable, 16" Wide, Black with Lock Out Pins	1
23j, 17	121188	BACK RELEASE CABLE, 17" WIDE, BLACK with Lock Out Pins	1
23k, 17	121189	BACK RELEASE CABLE, 18" WIDE, BLACK with Lock Out Pins	1

Color Anodizing Samples

