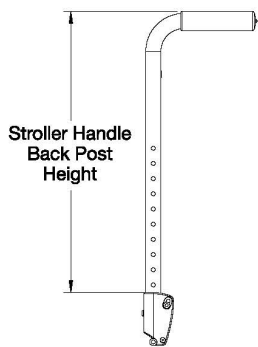
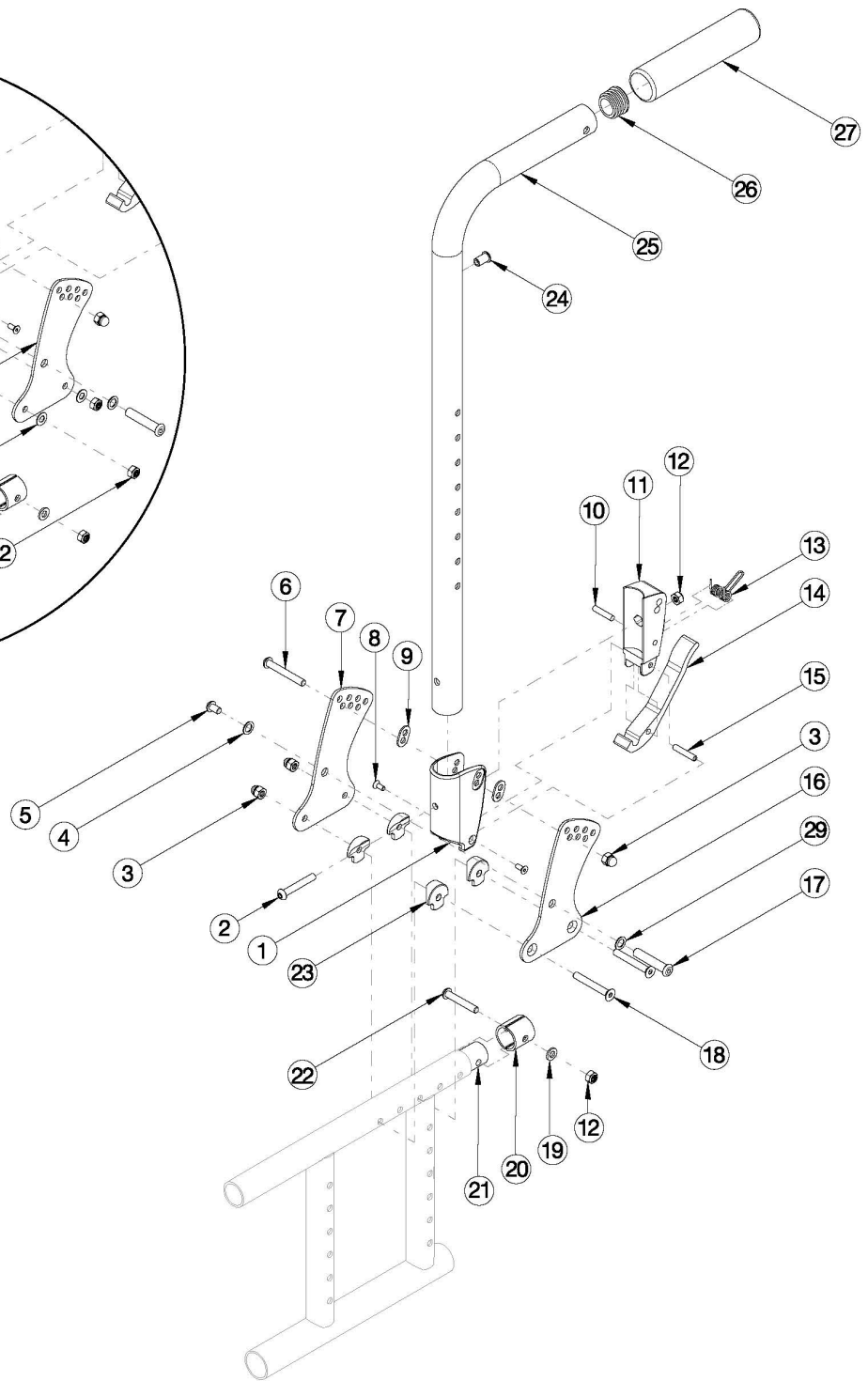
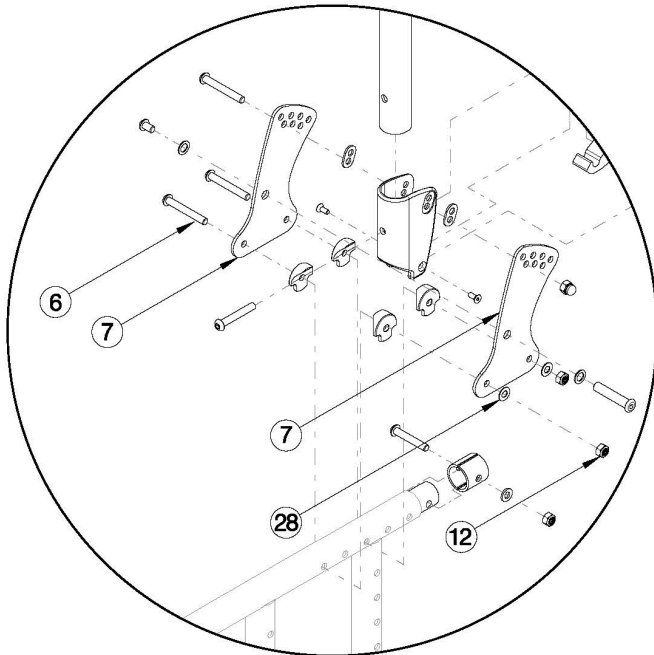


# Catalyst Stroller Handle Back Post (Depth Adjustable)

Seating System Cross Braces



Stroller Handle Back Post	Height
Short	18.5"
Tall	22.5"

*This backrest style was released February 8th, 2021. If changing from another style backrest and the Drum Brake is present, a new Drum Brake Cable Kit may be required.*

Item Number	Part Number	Description	Quantity
1-15, 16a, 17-20, 22-24, 25a, 26, 27, 29	112597	Stroller Handle Back Post with Grip Assembly with All Hardware, for Std Cross Braces, Short, Left Side <i>If chair was invoiced with backrest code 50BOP032, new backcanes are not required to retrofit the drum brake. If chair was invoiced with backrest code 50BOP010, a complete backrest retrofit to this Depth Adjustable Back design is required in order to retrofit the drum brake.</i>	1
1-15, 16b, 17-20, 22-24, 25a, 26, 27, 29	112598	Stroller Handle Back Post with Grip Assembly with All Hardware, for Std Cross Braces, Short, Right Side <i>If chair was invoiced with backrest code 50BOP032, new backcanes are not required to retrofit the drum brake. If chair was invoiced with backrest code 50BOP010, a complete backrest retrofit to this Depth Adjustable Back design is required in order to retrofit the drum brake.</i>	1
1-15, 16a, 17-20, 22-24, 25b, 26, 27, 29	112599	Stroller Handle Back Post with Grip Assembly with All Hardware, for Std Cross Braces, Tall, Left Side <i>If chair was invoiced with backrest code 50BOP032, new backcanes are not required to retrofit the drum brake. If chair was invoiced with backrest code 50BOP010, a complete backrest retrofit to this Depth Adjustable Back design is required in order to retrofit the drum brake.</i>	1
1-15, 16b, 17-20, 22-24, 25b, 26, 27, 29	112600	Stroller Handle Back Post with Grip Assembly with All Hardware, for Std Cross Braces, Tall, Right Side <i>If chair was invoiced with backrest code 50BOP032, new backcanes are not required to retrofit the drum brake. If chair was invoiced with backrest code 50BOP010, a complete backrest retrofit to this Depth Adjustable Back design is required in order to retrofit the drum brake.</i>	1
1-15, 17-20, 22-24, 25a, 26, 27, 28	112601	Stroller Handle Back Post with Grip Assembly with All Hardware, for Seating Cross Braces, Short <i>If chair was invoiced with backrest code 50BOP032, new backcanes are not required to retrofit the drum brake. If chair was invoiced with backrest code 50BOP010, a complete backrest retrofit to this Depth Adjustable Back design is required in order to retrofit the drum brake.</i>	1
1-15, 17-20, 22-24, 25b, 26, 27, 28	112602	Stroller Handle Back Post with Grip Assembly with All Hardware, for Seating Cross Braces, Tall <i>If chair was invoiced with backrest code 50BOP032, new backcanes are not required to retrofit the drum brake. If chair was invoiced with backrest code 50BOP010, a complete backrest retrofit to this Depth Adjustable Back design is required in order to retrofit the drum brake.</i>	1
24, 25a, 26, 27	506811	Stroller Handle Back Post with Grip Assembly, Short <i>If chair was invoiced with backrest code 50BOP032, new backcanes are not required to retrofit the drum brake. If chair was invoiced with backrest code 50BOP010, a complete backrest retrofit to this Depth Adjustable Back design is required in order to retrofit the drum brake.</i>	1
24, 25b, 26, 27	506812	Stroller Handle Back Post with Grip Assembly, Tall <i>If chair was invoiced with backrest code 50BOP032, new backcanes are not required to retrofit the drum brake. If chair was invoiced with backrest code 50BOP010, a complete backrest retrofit to this Depth Adjustable Back design is required in order to retrofit the drum brake.</i>	1
1-15, 16a, 17-20, 22-23, 29	112603	Depth Adjustable Backrest Hardware Assembly, for Std Cross Braces, Left Side	1
1-15, 16b, 17-20, 22-23, 29	112604	Depth Adjustable Backrest Hardware Assembly, for Std Cross Braces, Right Side	1

Item Number	Part Number	Description	Quantity
1-15, 17-20, 22-23, 28	112605	Depth Adjustable Backrest Hardware Assembly, for Seating Cross Braces, One Side	1
1-15, 17-20, 22-23, 28	112606	Depth Adjustable Backrest Hardware Assembly, for Seating Cross Braces, PAIR	1
1, 9	503834	Cover Plate, Latch Insert Kit	1
2	100797	M6 x 40 BHCS BLK ZC	1
3	100558	M6 NYL INS Domed Cap L/N ZC	3
4	101701	Washer 3.315/.350 x .425/.525 x .059/.067 18-8 F/W	1
5	101184	M6 x 10 BTN SHCS BLKZC w/Patch	1
6	100670	M6 x 45 BTN SHCS BLK ZC	1
7	111833	Depth Adjustable Back Plate, Folding  <i>Use quantity 1 per side if standard cross braces are present. Use quantity 2 per side if seating system cross braces are present.</i>	1
8	101818	M4 x 10 FHCS BLKZC w/Patch	2
9	001897	Washer, Dual, PSA	2
10	102694	Dowel Pin, M5 X 24, Blk Zn	1
11	001895	Latch Insert, Folding Backrest	1
12	100658	M6 Nylock Nut Blk Zn  <i>Use quantity 2 per side if standard cross braces are present. Use quantity 4 per side if seating system cross braces are present.</i>	2
13	001896	Spring, Backrest Latch	1
14	001893	Latch Lever, Backrest	1
15	002513	Threaded Barrel, 5mm OD x M4	1
16a	111835	Depth Adjustable Back Plate, Inner, Folding, Left  <i>Only used when standard cross braces are present</i>	1
16b	111834	Depth Adjustable Back Plate, Inner, Folding, Right  <i>Only used when standard cross braces are present</i>	1
17	003284	Binding Post, 8mm x 40mm x M6	1
18	101592	M6 x 45 CLS10.9 DIN7991 FHCS BLKZC	2
19	100746	M6 Flat Washer Blk Zn	1
20	114443	Tube Spacer, Black, 1" OD x .083" x .80 LG  <i>Replacement for part number 001230</i>	2

Item Number	Part Number	Description	Quantity
21	000605	Depth Adjustable Frame Extension Tube, Catalyst/Spark	1
22	101811	M6 x 35 BHCS Blk Zn	1
23	000612	1" Half Saddle Washer	4
26	100804	Tube End Plug 1"	1
28	102803	Washer Flat .250 x .500 x .027 HX BLZ <i>Only used when seating system cross braces are present</i>	2
29	101861	Nylon Washer 5/16 x 1/2 x .03 <i>Only used when standard cross braces are present</i>	1