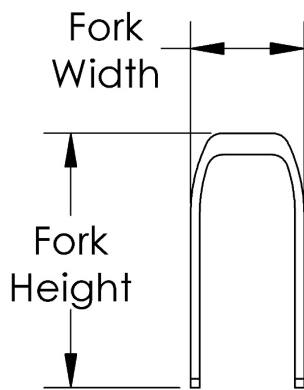
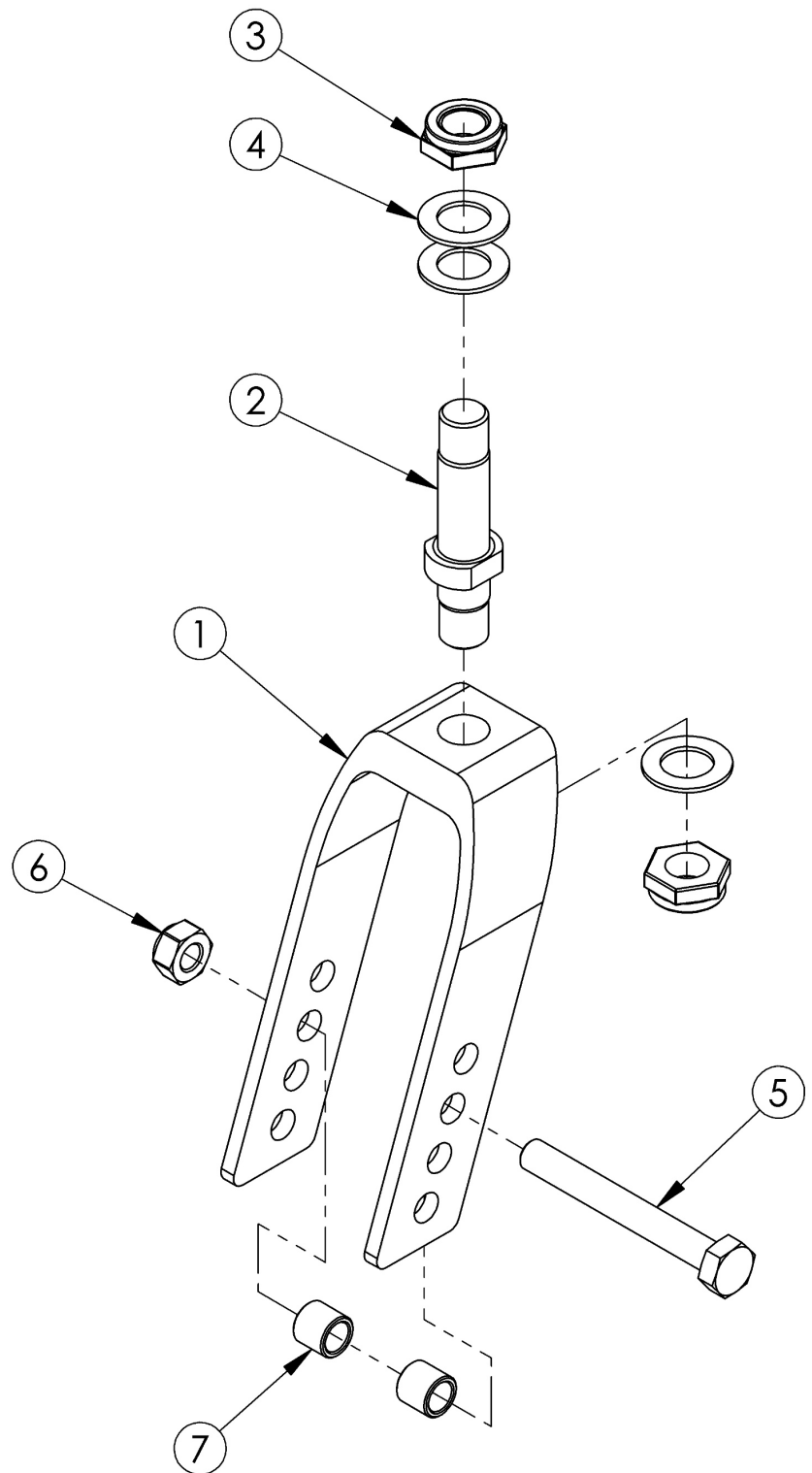


Flip Caster Forks and Stems



| Fork | Height | Width |
|---------|--------|-------|
| 5" Std | 4.7" | 2.1" |
| 6" Std | 5.7" | 2.1" |
| 6" Wide | 5.8" | 2.9" |
| 7" Std | 7.0" | 2.1" |
| 7" Wide | 7.0" | 2.9" |



If changing to 2" casters, wide forks and hardware needed

| Item Number | Part Number | Description | Quantity |
|-------------|-------------|--|----------|
| 1a, 2-4 | 107731 | Fork Assembly 5", Flip | 1 |
| 1b, 2-4 | 107732 | Fork Assembly 6", Flip | 1 |
| 1c, 2-4 | 107733 | Fork Assembly 6" Wide, Flip <i>Only used with 2" wide casters</i> | 1 |
| 1d, 2-4 | 107734 | Fork Assembly 7", Flip | 1 |
| 1e, 2-4 | 107735 | Fork Assembly 7" Wide, Flip <i>Only used with 2" wide casters</i> | 1 |
| 5a, 6, 7a | 502653 | Caster Attachment Hardware Kit CAT/FCS | 1 |
| 5b, 6, 7b | 502654 | Caster Attachment Hardware Kit for 6" and 7" Wide Fork, CAT/FCS <i>Only used with 2" wide casters</i> | 1 |
| 1a | 501209 | Caster Fork 5" Flip | 1 |
| 1b | 501210 | Caster Fork 6" Flip | 1 |
| 1c | 501211 | Caster Fork 6" Wide Flip <i>Only used with 2" wide casters</i> | 1 |
| 1d | 501212 | Caster Fork 7" Flip | 1 |
| 1e | 501213 | Caster Fork 7" Wide Flip <i>Only used with 2" wide casters</i> | 1 |
| 2 - 3 | 501208 | Caster Stem, Ped Tilt | 1 |
| 3 | 100529 | M12 x 1.25mm Lock Nut Black | 2 |
| 4 | 100682 | Washer 1/2" .518 x .875 x .047 F/W Black Zinc | 3 |
| 5a | 101829 | M8 x 65 HHCS Blk Zn | 1 |
| 5b | 101831 | M8 x 80 HHCS Blk Zn <i>Used with wide forks</i> | 1 |
| 6 | 100659 | M8 Nylock Nut Blk Zn | 1 |
| 7a | 100792 | Caster Spacer D8 x D12 x 10mm / Close Mount Handrim Spacer <i>Used with all casters except 6x2 and 8x2</i> | 2 |
| 7b | 001246 | Caster Spacer Black 6 x 2 Poly .472ODX.319IDX.370LG <i>Only used with 6" x 2" casters</i> | 2 |