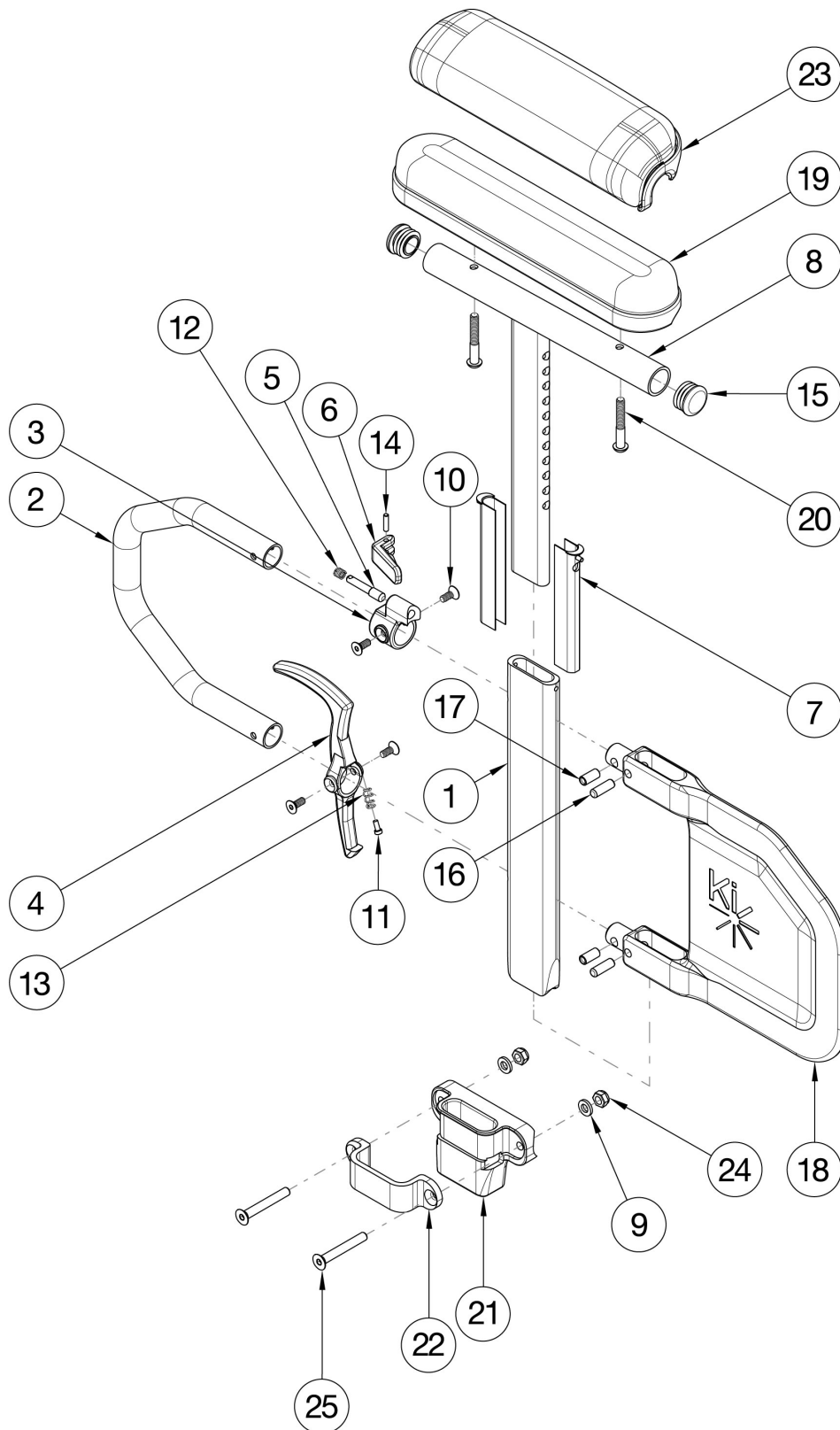


# CR45 Height Adjustable Tall T-Arm



If retrofitting, Receivers are needed.

Item Number	Part Number	Description	Quantity
1-7, 8a, 9-18, 19b, 20a, 21, 22, 24-25	116719	Height Adjustable Tall T-Arm Assembly w/Short Side Shield and Standard Pad Desk and Receiver Pair, CR45	1
1-7, 8b, 9-18, 19a, 20a, 21, 22, 24-25	116720	Height Adjustable Tall T-Arm Assembly w/Short Side Shield and Standard Pad Full and Receiver Pair, CR45	1
1-7, 8a, 9-18, 20b, 21, 22, 23b, 24-25	116721	Height Adjustable Tall T-Arm Assembly w/Short Side Shield and Waterfall Pad Desk and Receiver Pair, CR45	1
1-7, 8b, 9-18, 20b, 21, 22, 23a, 24-25	116722	Height Adjustable Tall T-Arm Assembly w/Short Side Shield and Waterfall Pad Full and Receiver Pair, CR45	1
1-7, 8a, 9-18, 19b, 20a, 21, 22, 24-25	116715	Height Adjustable Tall T-Arm Assembly w/Short Side Shield and Standard Pad Desk and Receiver, CR45	1
1-7, 8b, 9-18, 19a, 20a, 21, 22, 24-25	116716	Height Adjustable Tall T-Arm Assembly w/Short Side Shield and Standard Pad Full and Receiver, CR45	1
1-7, 8a, 9-18, 20b, 21, 22, 23b, 24-25	116717	Height Adjustable Tall T-Arm Assembly w/Short Side Shield and Waterfall Pad Desk and Receiver, CR45	1
1-7, 8b, 9-18, 20b, 21, 22, 23a, 24-25	116718	Height Adjustable Tall T-Arm Assembly w/Short Side Shield and Waterfall Pad Full and Receiver, CR45	1
1-7, 8a, 10-18, 19b, 20a	116163	Height Adjustable Tall T-Arm Assembly w/Short Side Shield and Std Pad Desk, Pair	1
1-7, 8a, 10-18, 19b, 20a	116162	Height Adjustable Tall T-Arm Assembly w/Short Side Shield and Std Pad Desk	1
1-7, 8b, 10-18, 19a, 20a	116165	Height Adjustable Tall T-Arm Assembly w/Short Side Shield and Std Pad Full, Pair	1
1-7, 8b, 10-18, 19a, 20a	116164	Height Adjustable Tall T-Arm Assembly w/Short Side Shield and Std Pad Full	1
1-7, 8a, 10-18, 20b, 23b	116167	Height Adjustable Tall T-Arm Assembly w/Short Side Shield and Waterfall Pad Desk, Pair	1
1-7, 8a, 10-18, 20b, 23b	116166	Height Adjustable Tall T-Arm Assembly w/Short Side Shield and Waterfall Pad Desk	1
1-7, 8b, 10-18, 20b, 23a	116169	Height Adjustable Tall T-Arm Assembly w/Short Side Shield and Waterfall Pad Full, Pair	1
1-7, 8b, 10-18, 20b, 23a	116168	Height Adjustable Tall T-Arm Assembly w/Short Side Shield and Waterfall Pad Full	1
1-7, 10-14, 16-18	114150	Height Adjustable T-Arm Short Lower Assembly, Tall <i>Does not include t-arm upper, arm pad or arm pad screws</i>	1
1-7, 8a, 10-18	114432	Height Adjustable T-Arm Short Side Shield, Desk, Tall <i>Does not include arm pad or arm pad screws</i>	1
1-7, 8b, 10-18	114433	Height Adjustable T-Arm Short Side Shield, Full, Tall <i>Does not include arm pad or arm pad screws</i>	1
3, 5, 6, 10, 12, 14	116378	Height Adjustable Tall T-Arm Upper Latch Assembly	1
4, 10, 11, 13	116375	Height Adjustable Tall T-Arm Release Lever Assembly	1

Item Number	Part Number	Description	Quantity
9, 21, 22, 24-25	116714	Armrest T-Arm Receiver Assembly CR45	1
16-18	116377	Height Adjustable Tall T-Arm Short Shield Assembly	1
1	113137	Height Adjustable T-Arm Post, Tall	1
2	113138	Height Adjustable T-Arm Transfer Tube, Tall	1
7	000090	Height Adjustable T Armrest Shim	2
8a, 15	116379	Height Adjustable Tall T Armrest Upper Desk w/ Tube End Plug	1
8b, 15	116380	Height Adjustable Tall T Armrest Upper Full w/ Tube End Plug	1
9	100746	M6 Flat Washer Blk Zn	2
10	103522	M5 x 0.8 x 12 FHCS CLS 10.9 Nyl Blk Zn DIN7991	4
11	000152	Height Adjustable T Armrest Release Spring Button	1
13	000135	Height Adjustable T Armrest Release Lever Spring	1
15	100803	Tube End Plug 7/8"	2
16	003641	.25" x .75" Dowel Pin	2
17	003457	M5 x 14mm Barrel Nut	2
19a	100500	Arm Pad Full	1
19b	100501	Arm Pad Desk	1
20a	100696	M5 x 30mm PPH Capscrew <i>Used with Standard Arm Pads</i>	2
20b	100654	M5 x 40 DIN7985 PH Pan HD M/S ZC <i>Used with Waterfall Arm Pads</i>	2
21	000087	Height Adjustable T-Arm Receiver 1"	1
22	000088	Height Adjustable T Armrest Bracket	1
23a	102452	Waterfall Arm Pad Full	1
23b	102521	Waterfall Arm Pad Desk	1
24	100658	M6 Nylock Nut Blk Zn	2
25	101592	M6 x 45 CLS10.9 DIN7991 FHCS BLKZC	2