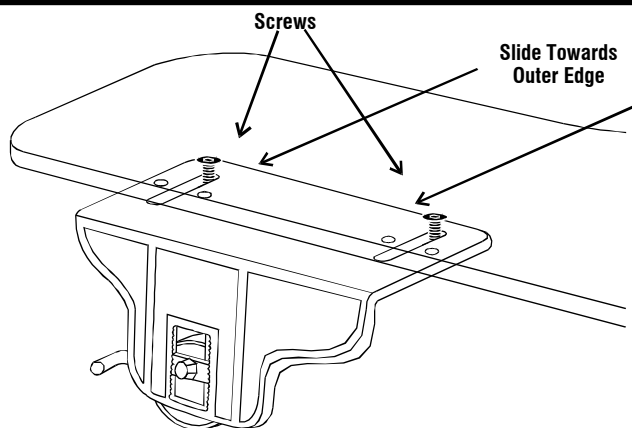


TRAY WITH E-Z LOCK CLAMPS

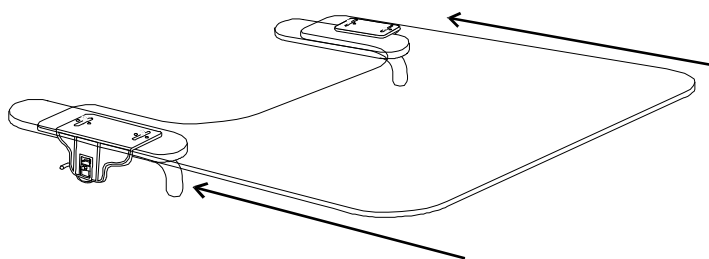
YouTube Watch Instructional Video for this product at <http://www.youtube.com/TherafinCorporation>

ADJUSTING CLAMP TO ARMPAD WIDTH

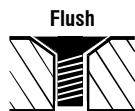


1. Loosen the screws that hold the E-Z Lock Clamps to the tray. This allows the clamps to be adjusted to the **WIDTH** of the armpads.
2. The long slots in the clamps allow for considerable adjustment. Slide the clamp assemblies to the widest position on the tray.
3. Using allen wrench provided, loosen **Adjustment Bolt** so the **Cam** on both E-Z Lock Clamps easily slide up and down in the **Adjustment Notch** slide. Move the **Cams** down to the lowest position.

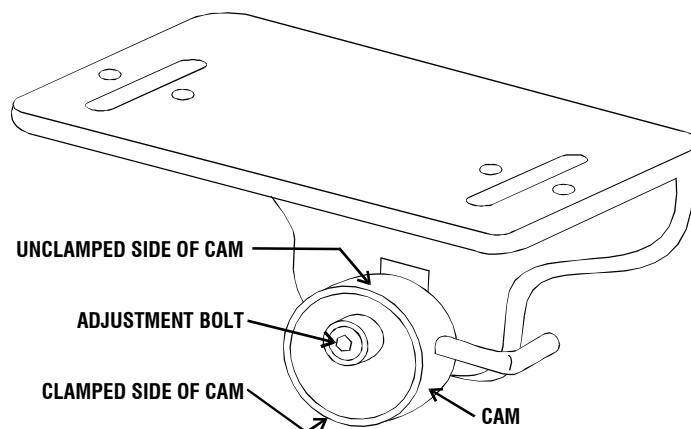
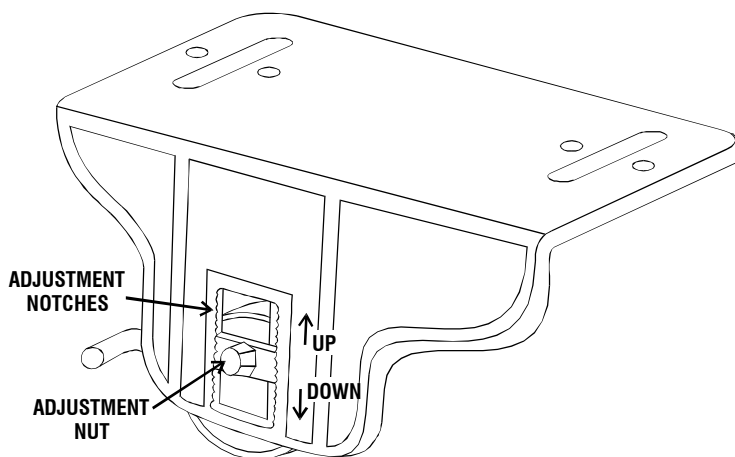
4. Place the tray onto the armrests **FROM THE FRONT**.



5. Center the tray on the chair. Adjust the clamp assemblies so the edge of each clamp fits against the side of the armrest. The round **Cam** should be below the armrest for now. Tighten the screws that hold the clamps to the tray. The screws should be tightened so the tops are flush with the surface of the tray.



ADJUSTING CLAMP TO ARMPAD HEIGHT



6. With the **UNCLAMPED** side of **Cam** facing the underside of the armpad, push **Cam** up in **Adjustment Notch** slide until the **Cam** loosely contacts underside of armrest. Push in **Adjustment Nut** and hold it in place within the notches. Rotate **Cam** so the **CLAMPED** side tightens up against the underside of the armrest. Test-fit the **Cam** up and down in different positions, to determine best position.
7. Tighten **Adjustment Bolt** to secure **Cam** in optimal position. If you have to move the tray to do this, either hold **Adjustment Nut** in place, or count the number of unused notches above and below the **Adjustment Nut**. This will assure the **Adjustment Nut** is in your determined optimal position. **NOTE: Adjustment Bolt MUST BE TIGHTENED VERY TIGHT** in order to keep **Cam** in place when it is rotated against the armpad!

If your tray is transparent polycarbonate, please read the following:

Polycarbonate (Clear) Product Cleaning Guidelines

Polycarbonate is virtually unbreakable when it is delivered. You can compromise the physical properties if certain chemicals (see below) have the ability to permeate the structure of the plastic. For this reason, note the guidelines below for cleaning your polycarbonate product:

- ◆ **DO** rinse the product with warm water prior to cleaning
- ◆ **DON'T** use abrasives or high alkaline cleaners
- ◆ **DON'T** leave chemicals on product for long periods, wash immediately
- ◆ **DON'T** apply cleaners in direct sunlight or at elevated temperatures
- ◆ **DON'T** use scrapers, squeegees or razors
- ◆ **DON'T** clean with gasoline
- ◆ **DO** follow the application with a lukewarm water rinse
- ◆ **DO** dry with a clean soft cloth

Recommended Compatible Cleaners and Detergents:

- ◆ Formula 409¹ ◆ Windex with Ammonia D³
- ◆ Joy² ◆ Palmolive⁴

Polycarbonate is **NOT** resistant to:

- ◆ Acetaldehyde, Acetic acid (conc.), Acetone, Acrylonitrile, Ammonia, Ammonium fluoride, Ammonium hydroxide, Ammonium sulfide
- ◆ Benzene, Benzoic acid, Benzyl alcohol, Brake fluid, Bromobenzene, Butylic acid
- ◆ Carbon tetrachloride, Carbon disulfide, Carboic acid, Caustic potash solution (5%), Caustic soda solution (5%), Chlorothene, Chlorobenzene, Cutting oils, Cyclo hexanone, Cyclohexene
- ◆ Dimethyl formamide
- ◆ Ethane tetrachloride, Ethylamine, Ethyl ether, Ethylene chlorohydrin
- ◆ Formic acid (conc.), Freon (refrigerant & propellant)
- ◆ Gasoline ◆ Lacquer thinner ◆ Methyl alcohol
- ◆ Nitrobenzene, Nitrocellulose lacquer ◆ Ozone
- ◆ Phenol, Phosphorous hydroxy chloride, Phosphorus trichloride, Propionic acid ◆ Sodium sulfide, Sodium hydroxide, Sodium nitrate
- ◆ Tetrahydronaphthalene, Thiophene, Toluene, Turpentine ◆ Xylene

Polycarbonate is **DISSOLVED** by:

- ◆ Chloroform, Cresol, Dioxane, Ethylene dichloride, Methylene chloride, Pyridine

When cleaning this Polycarbonate product, a water and soap solution should be applied with a clean soft cloth. Dry with a clean soft cloth.

- ◆ Do not use Lock Tite on this Polycarbonate product

® Registered Trademarks of Clorox¹, Proctor & Gamble², Drackett Products³, Colgate Palmolive⁴