

Breezy Ultra 4

parts manual supplement

2006



Sunrise Medical appreciates your business. For your ordering convenience, our Customer Service Representatives can be contacted at:

**To place orders:
(800)333-4000**

Quickie Technical Assistance:

You can reach our Technical Support Team by choosing prompt 1 followed by the # sign, then prompt 2 for Technical Support. Choose option 1 for Quickie Technical Support.

**For Assistance with a Web Order,
or to sign up for sunrisemedical.com
(800) 333-4000 Option 5**

**FOR YOUR CONVENIENCE YOU MAY PLACE ORDERS THROUGH
OUR WEBSITE OR BY FAX 24 HOURS A DAY:**

www.sunrisemedical.com

Fax: (800)300-7502

For easy reference please fill in your Customer Number and Sunrise Account Manager's name.

Customer Account Number _____

Ship to Account Number _____

Sunrise Account Manager _____

*Part prices and configurations or specifications of products included in this Parts Manual are subject to change without prior notice.

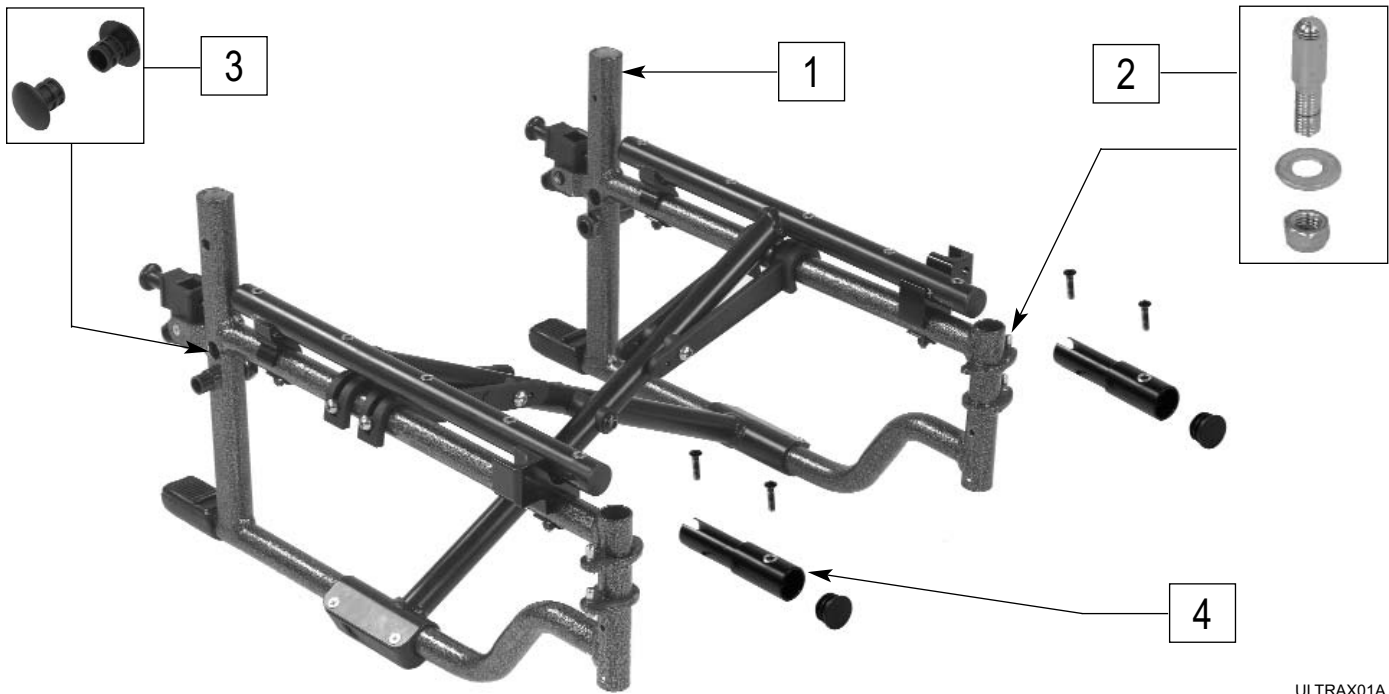
Breezy Ultra 4

IN THIS SECTION

Hemi Frame	1.1	Caster Bearings	1.11
Hemi Kit	1.1	Amputee Offset Kit.....	1.11
Frame.....	1.2	Swing-Away Hanger	1.12
X-Hinge with Hardware.....	1.2	Footrest.....	1.13
Anti-Tips	1.3	Angle Adjustable Footrest.....	1.13
Flip Back Armrest Full.....	1.4	ELR	1.14
Flip Back Armrest Desk	1.4	20" Mag Wheel	1.15
Flip Back Armrest Height Adjustable Full	1.5	22" Mag Wheel	1.16
Flip Back Armrest Height Adjustable Desk	1.5	24" Mag Wheel	1.17
Backrest.....	1.6	Hand Rim.....	1.18
Backrest Attachment Hardware	1.6	Projection Hand Rim.....	1.19
Tension Adjustable Back.....	1.7	Standard Wheel Lock Pull	1.20
Non-Padded Seat Sling	1.8	Standard Wheel Lock Push	1.20
Padded Seat Sling	1.8	Hemi Wheel Lock Pull	1.21
6" Caster, Fork and Hardware	1.9	Hemi Wheel Lock Push	1.21
8" Caster, Fork and Hardware	1.10		



HEMI FRAME



ULTRAX01A

ITEM	NUMBER	DESCRIPTION	QTY
1-3	BZU1101- BZU1121	ULTRA HEMI FRM (14x16 THRU 20x16)	EA

ITEM	NUMBER	DESCRIPTION	QTY
2	BZU9903	RPO HANGER PINS ASSEMBLY	4
3	BZU9904	RPO AXLE PLUGS	KT
4	BZU2099	SLING 2 IN EXTENSION HARDWARE	KT

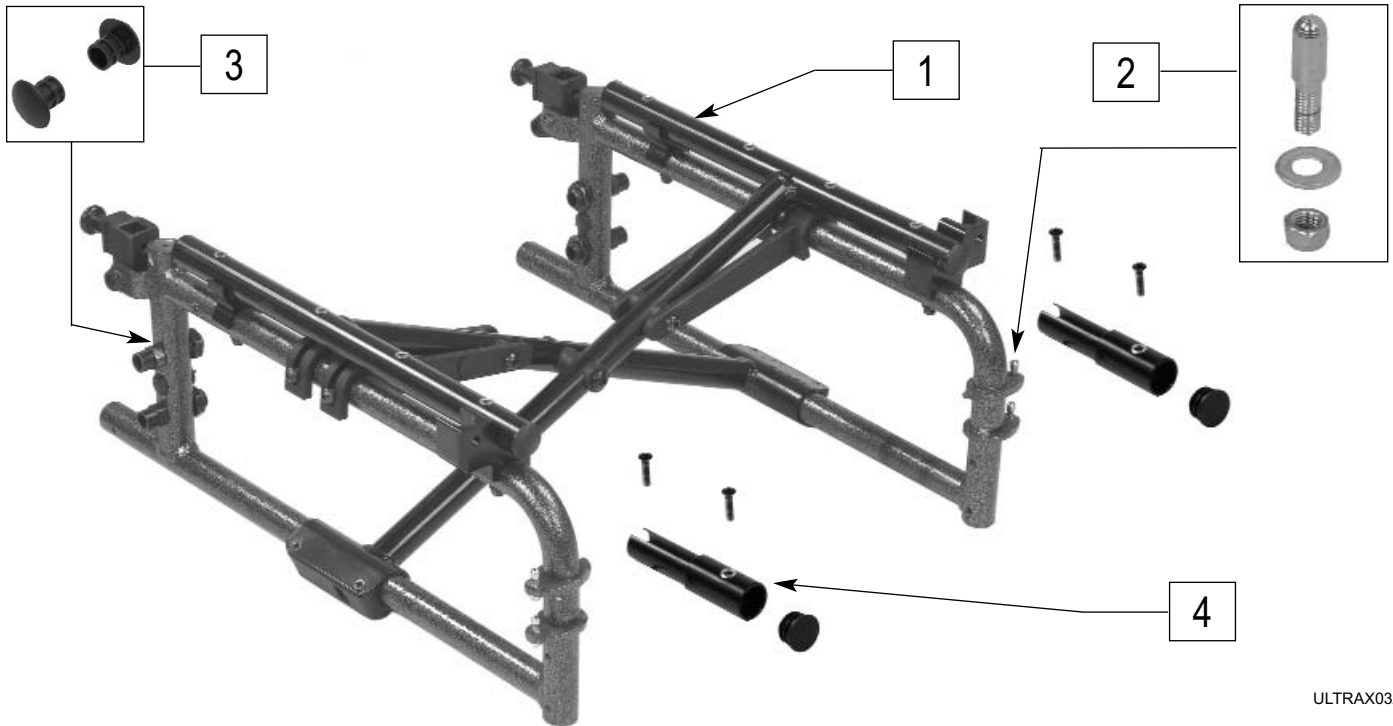
HEMI KIT



ULTRAX65

ITEM	NUMBER	DESCRIPTION	QTY
1	BZU9012	BREEZY ULTRA 4 HEMI KIT	KT

BASE FRAME (BREEZY ULTRA)

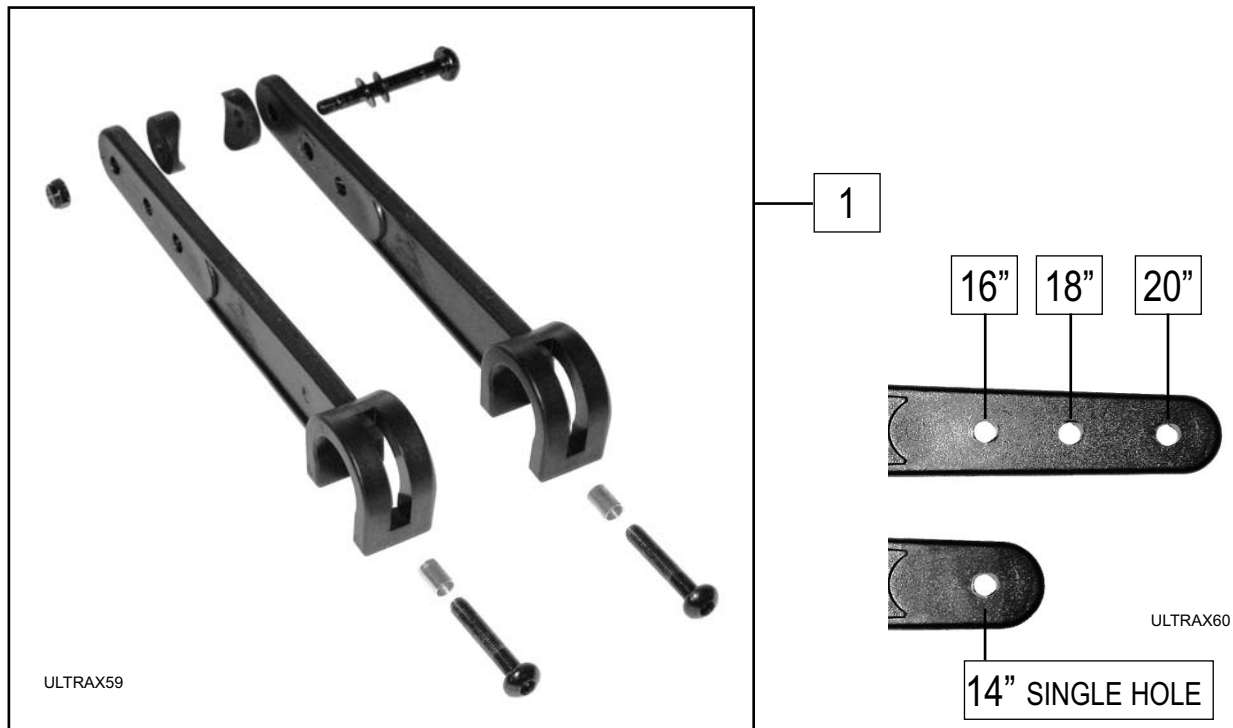


ULTRAX03A

ITEM	NUMBER	DESCRIPTION	QTY
1-3	BZU1001- BZU1021	STD FRAME (14x16 THRU 20x16)	EA

ITEM	NUMBER	DESCRIPTION	QTY
2	BZU9903	RPO HANGER PINS ASSEMBLY	4
3	BZU9904	RPO AXLE PLUGS	KT
4	BZU2099	SLING 2 IN EXTENSION HARDWARE	KT

X-HINGE WITH HARDWARE (BREEZY ULTRA)



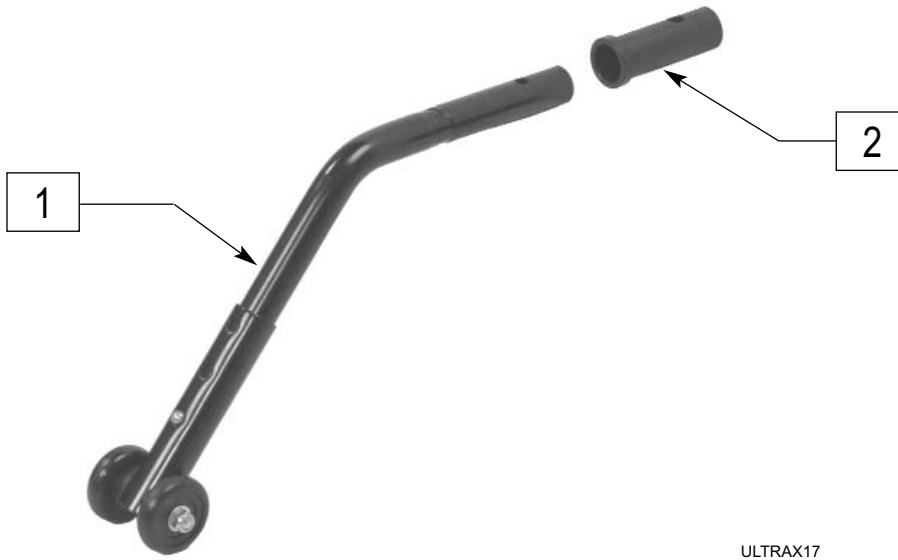
ULTRAX59

ULTRAX60

ITEM	NUMBER	DESCRIPTION	QTY
1	BZU9921	X-HINGE W/HARDWARE 14" HEMI	
	BZU9923	X-HINGE W/HARDWARE 16-20" HEMI	

ITEM	NUMBER	DESCRIPTION	QTY
1	BZU9925	X-HINGE W/HARDWARE 14" STD	
	BZU9927	X-HINGE W/HARDWARE 16-20" STD	

ANTI-TIP



ULTRAX17

ITEM	NUMBER	DESCRIPTION	QTY
1,2	BZU9021	ANTI TIPS- LONG	PR
	BZU9022	ANTI TIPS- MEDIUM	

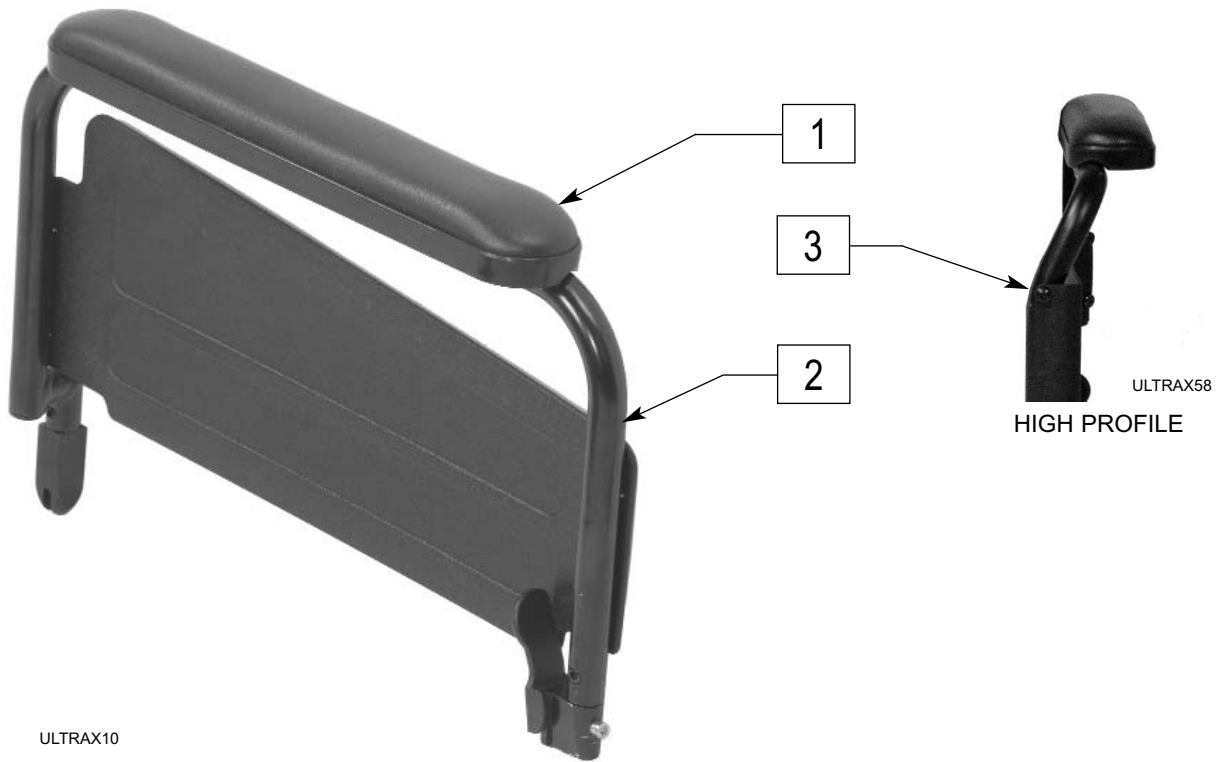
ANTI-TIP



ULTRAX44

ITEM	NUMBER	DESCRIPTION	QTY
1,2	BZU9023	ANTI TIPS- SHORT / HEMI	PR

FLIP BACK ARMREST FULL

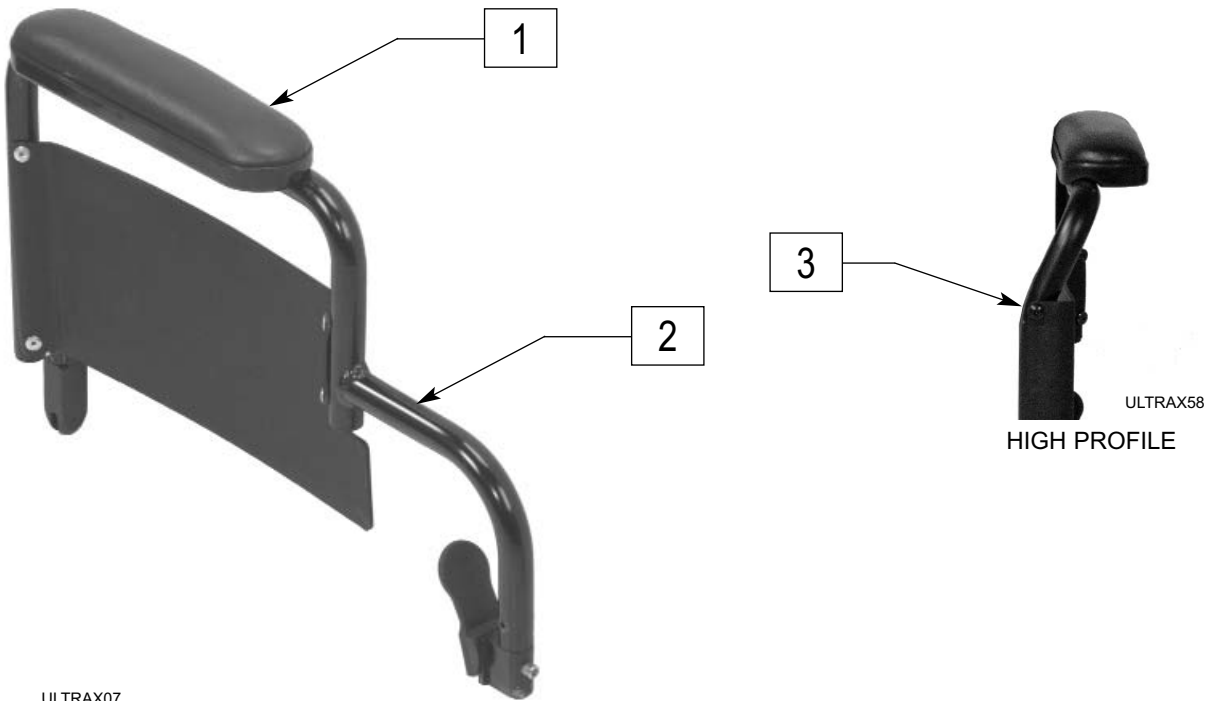


ULTRAX10

ITEM	NUMBER	DESCRIPTION	QTY
1	GEY-2AP	FULL PADDED VINYL	EA

ITEM	NUMBER	DESCRIPTION	QTY
1.2	BZU4002	FLIP BACK-FULL	PR
3	BZU4012	ARMREST FLIP BACK(FULL SUPER HEMI)	EA

FLIP BACK ARMREST DESK

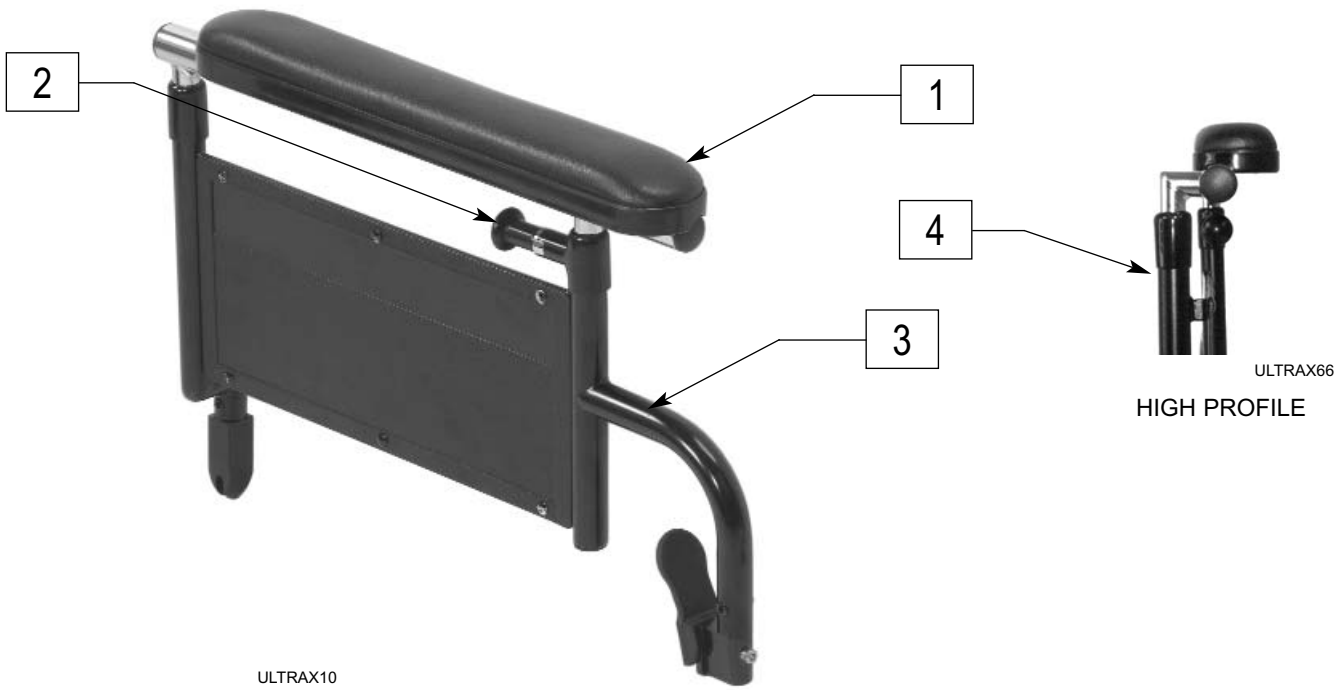


ULTRAX07

ITEM	NUMBER	DESCRIPTION	QTY
1	GEY-2APD	DESK PADDED VINYL	EA

ITEM	NUMBER	DESCRIPTION	QTY
1.2	BZU4001	FLIP BACK-DESK	PR
3	BZU4011	ARMREST FLIP BACK (DESK SPR HEMI)	EA

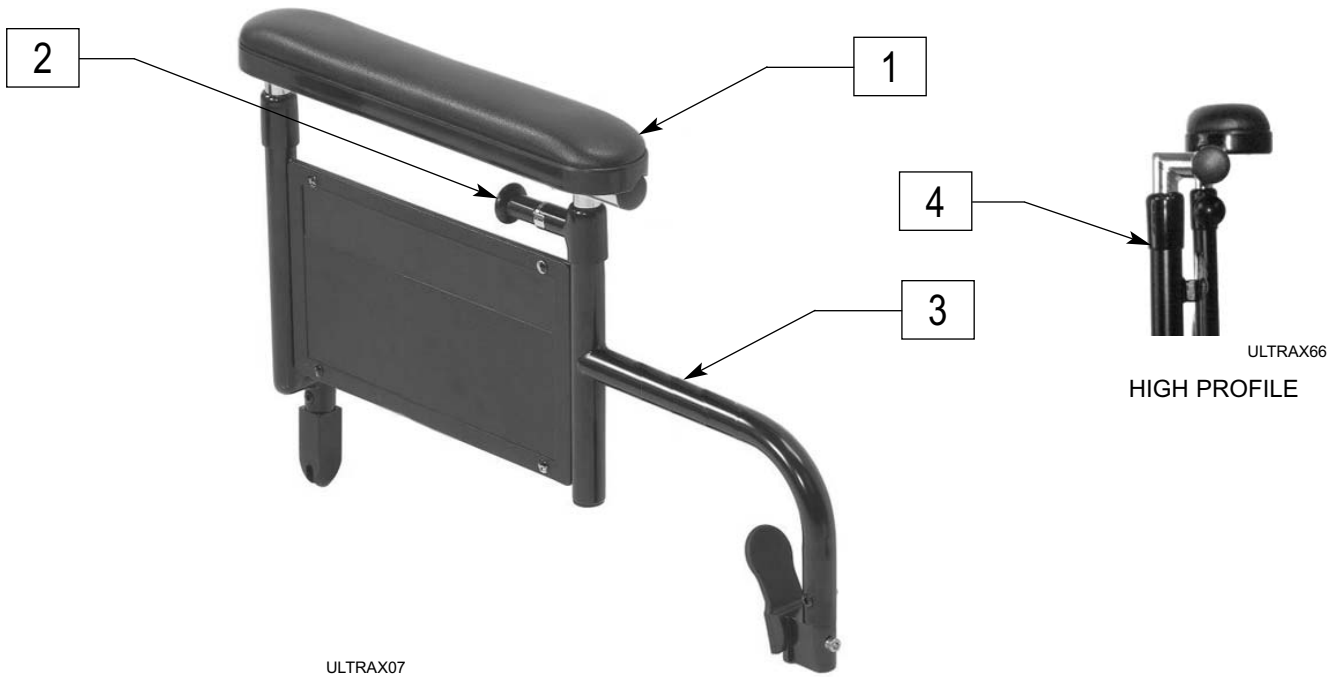
FLIP BACK ARMREST HEIGHT ADJUSTABLE FULL



ITEM	NUMBER	DESCRIPTION	QTY
1	GEY-2AP	FULL PADDED VINYL	EA
2	GEY-4HAKNOB	HEIGHT ADJ RELEASE KNOB	KT

ITEM	NUMBER	DESCRIPTION	QTY
1-3	BZU4003	FLIP BACK HEIGHT ADJUST-FULL	PR
4	BZU4013	ARMREST FLIP BACK (HIGH PROFILE)	EA

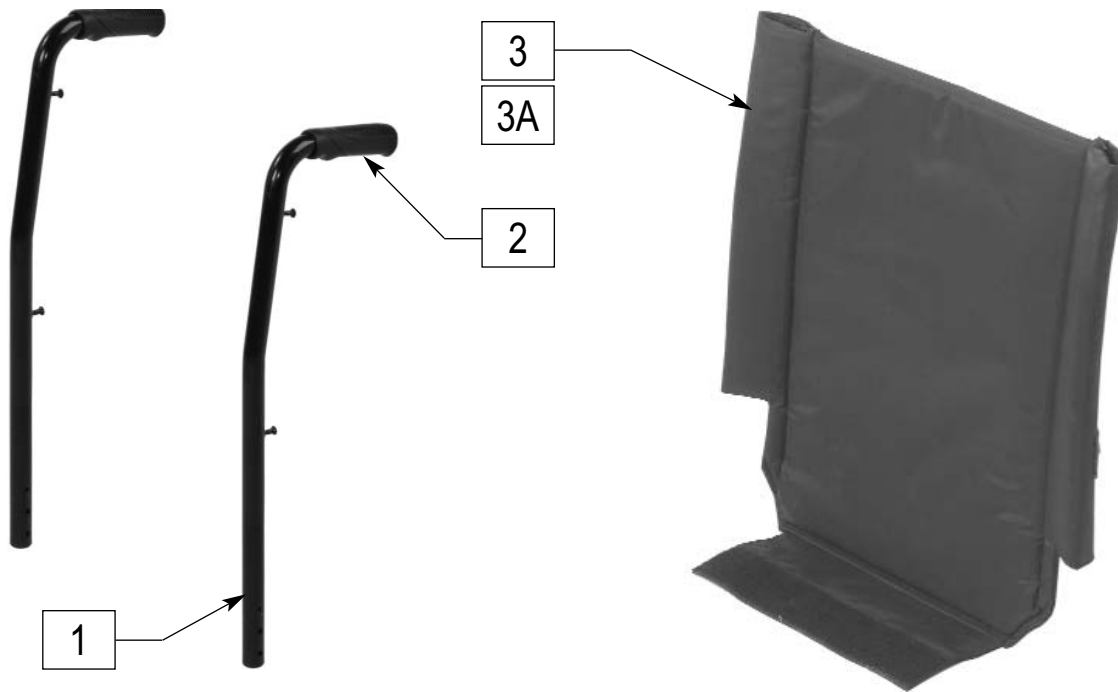
FLIP BACK ARMREST HEIGHT ADJUSTABLE DESK



ITEM	NUMBER	DESCRIPTION	QTY
1	GEY-2APD	DESK PADDED VINYL	EA
2	GEY-4HAKNOB	HEIGHT ADJ RELEASE KNOB	KT

ITEM	NUMBER	DESCRIPTION	QTY
1-3	BZU4004	ARMREST FLIP BACK HT ADJ DESK	PR
4	BZU4014	ARMREST FLIP BACK (HIGH PROFILE)	EA

BACKREST

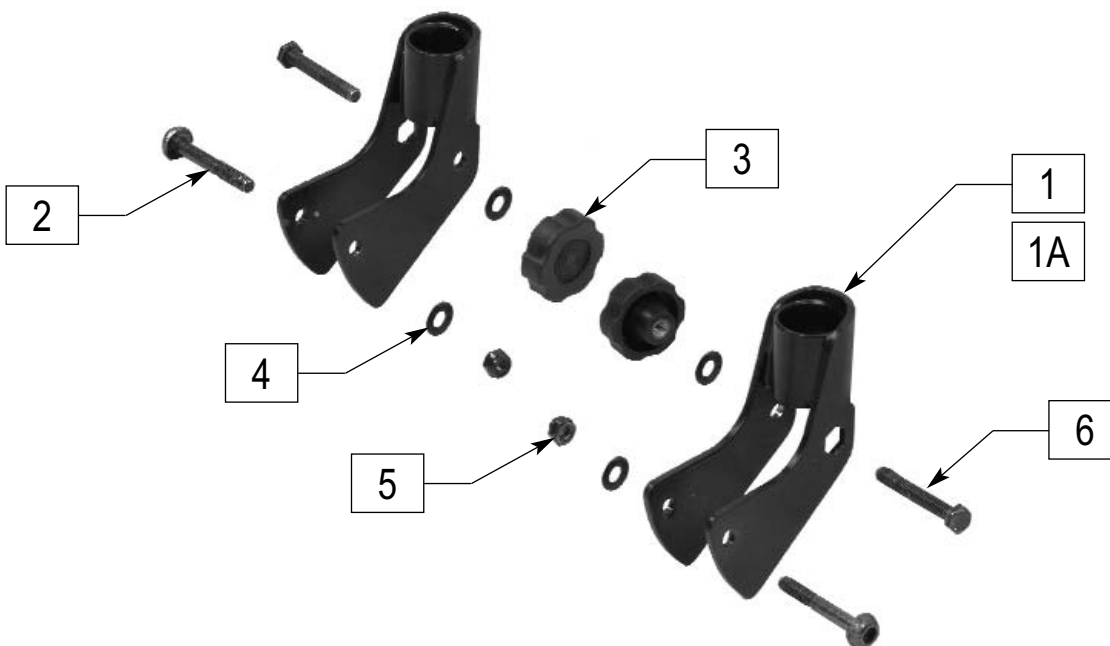


ULTRAX28

ITEM	NUMBER	DESCRIPTION	QTY
1,2	BZU3001	BACK CANES 15-17 W/HND GRIPS	KT
	BZU3002	BACK CANES 17-19 W/HND GRIPS (STD)	
	BZU3004	BACK CANES 17-19 W/HND GRIPS (ADJ)	
2	GEY-HAND	BACK CANE HANDLES	KT
3	BZU3031	14" BACK UPH PADDED- NO CHART	EA
	BZU3033	16" BACK UPH PADDED- NO CHART	
	BZU3035	18" BACK UPH PADDED- NO CHART	
	BZU3037	20" BACK UPH PADDED- NO CHART	

ITEM	NUMBER	DESCRIPTION	QTY
3A	BZU3041	14" BK UPH PAD W/CHART POCKET	EA
	BZU3043	16" BK UPH PAD W/CHART POCKET	
	BZU3045	18" BK UPH PAD W/CHART POCKET	
	BZU3047	20" BK UPH PAD W/CHART POCKET	

BACKREST ATTACHMENT HARDWARE

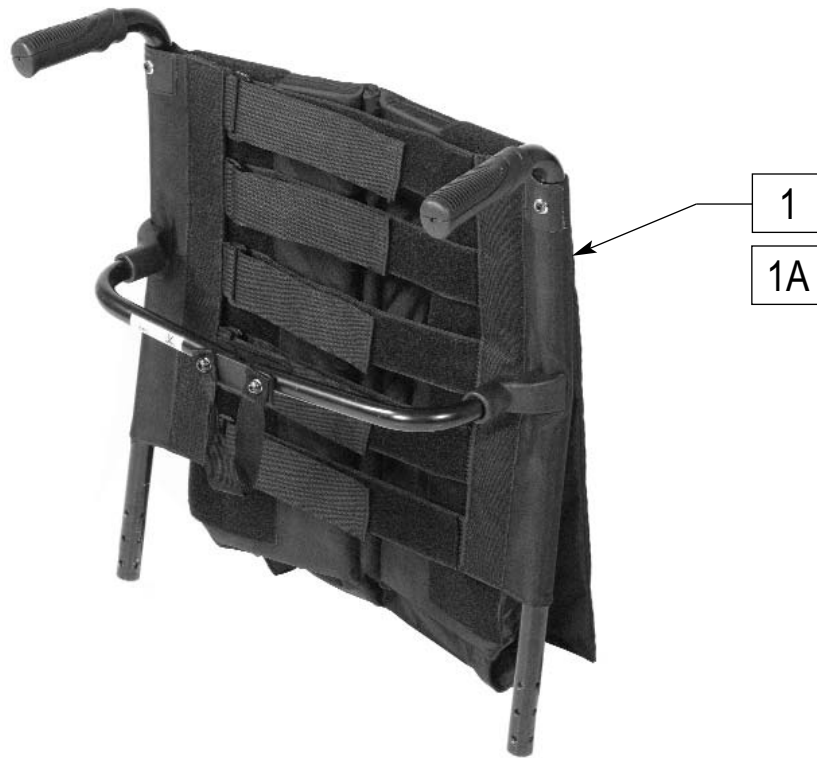


ULTRAX33

ITEM	NUMBER	DESCRIPTION	QTY
1-6	BZU3021	STANDARD BACK HARDWARE	KT

ITEM	NUMBER	DESCRIPTION	QTY
1A-6	BZU3022	ANGLE ADJUSTABLE BACK HARDWARE	KT

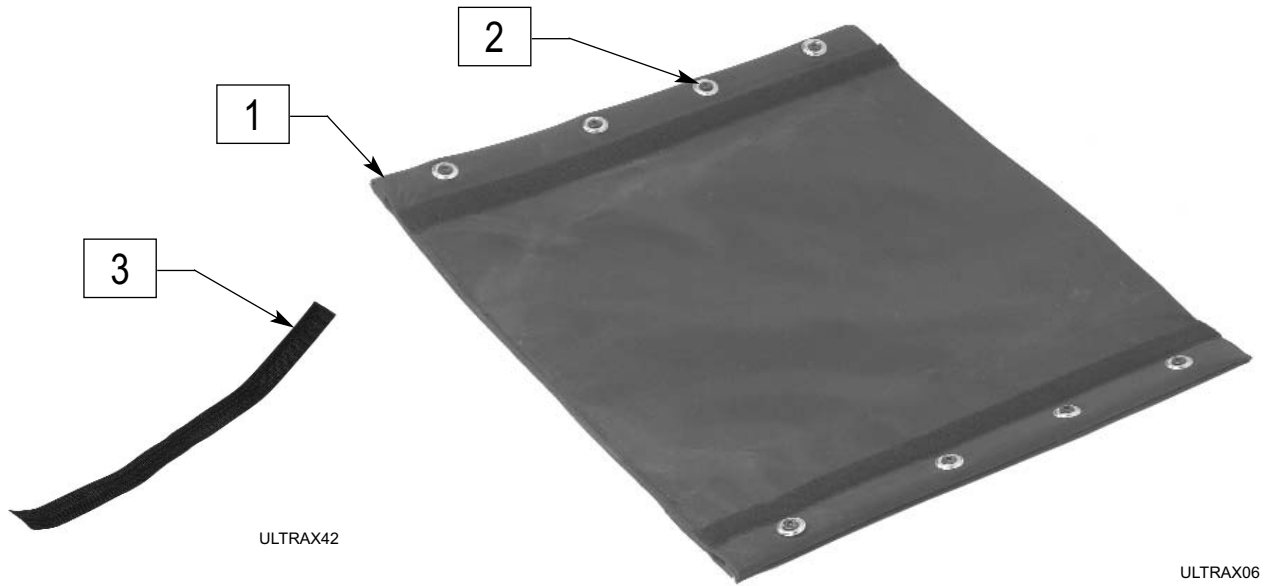
TENSION ADJUSTABLE BACK



ULTRAX48

ITEM	NUMBER	DESCRIPTION	QTY
1	BZU3101	BACK TENSION ADJ 14" STD	
	BZU3103	BACK TENSION ADJ 16" STD	
	BZU3105	BACK TENSION ADJ 18" STD	
	BZU3107	BACK TENSION ADJ 20" STD	
1A	BZU3201	BACK TENSION ADJUST 14" ANG	
	BZU3201	BACK TENSION ADJUST 16" ANG	
	BZU3201	BACK TENSION ADJUST 18" ANG	
	BZU3201	BACK TENSION ADJUST 20" ANG	

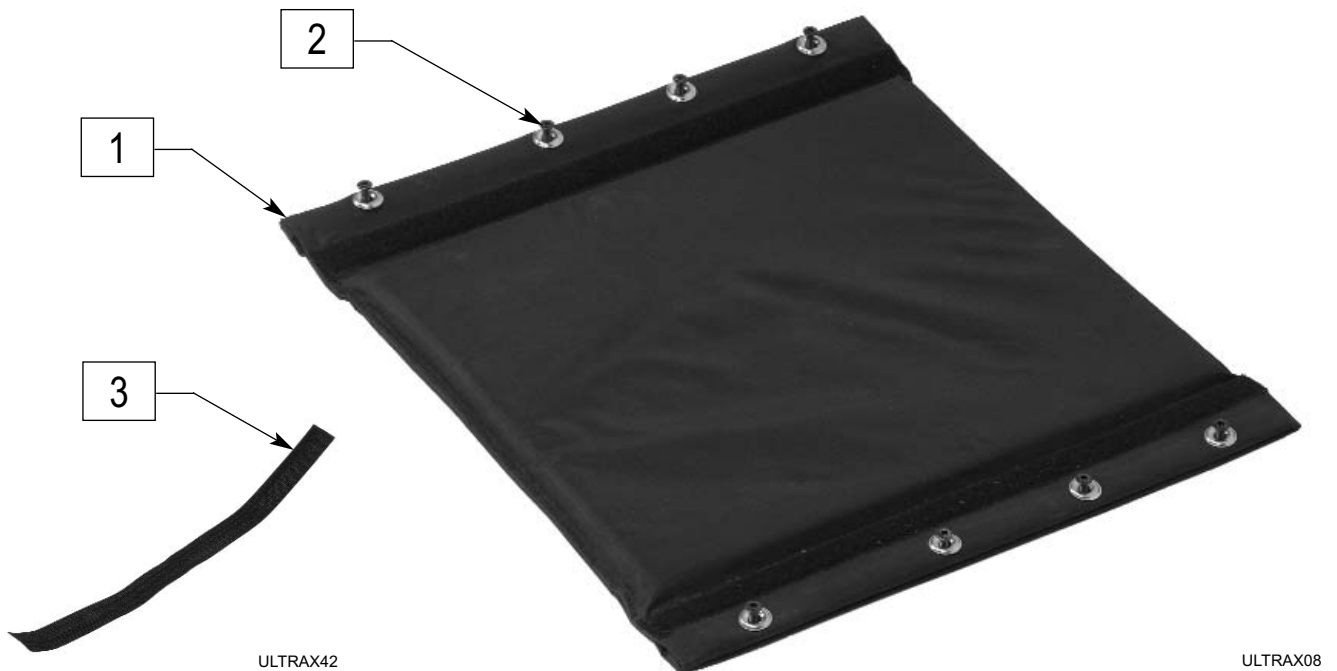
NON-PADDED SEAT SLING



ITEM	NUMBER	DESCRIPTION	QTY
1-2	BZU2001	NON-PADDED 14X16 WITH HARDWARE	KT
	BZU2002	NON-PADDED 14X18 WITH HARDWARE	
	BZU2003	NON-PADDED 16X16 WITH HARDWARE	
	BZU2004	NON-PADDED 16X18 WITH HARDWARE	
	BZU2005	NON-PADDED 18X16 WITH HARDWARE	

ITEM	NUMBER	DESCRIPTION	QTY
1-2	BZU2006	NON-PADDED 18X18 WITH HARDWARE	KT
	BZU2007	NON-PADDED 20X16 WITH HARDWARE	
	BZU2008	NON-PADDED 20X18 WITH HARDWARE	
3	BZU9051	VELCRO STRIP HOOK-TO-HOOK 15"	EA

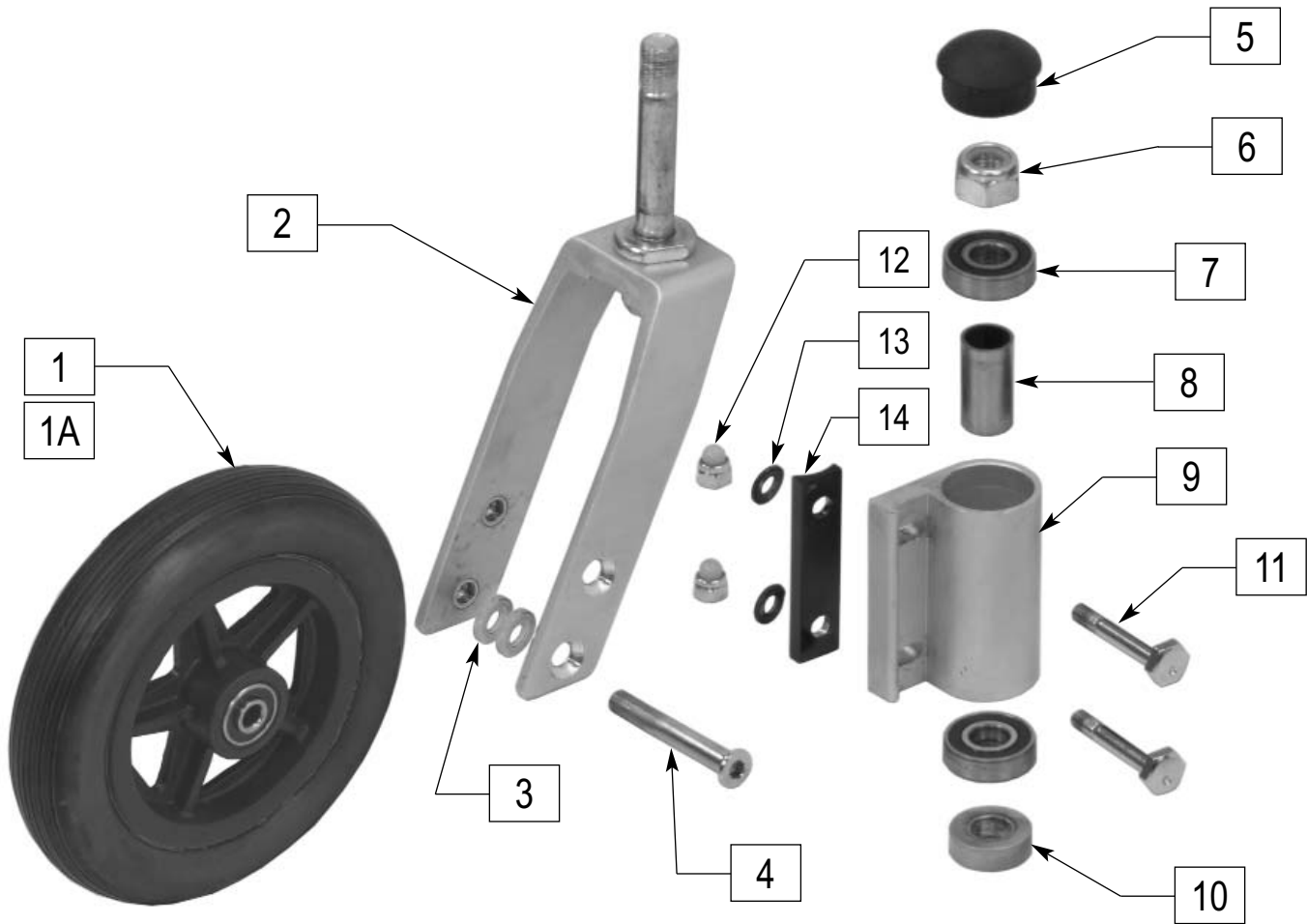
PADDED SEAT SLING



ITEM	NUMBER	DESCRIPTION	QTY
1-2	BZU2009	PADDED 14X16 WITH HARDWARE	KT
	BZU2010	PADDED 14X18 WITH HARDWARE	
	BZU2011	PADDED 16X16 WITH HARDWARE	
	BZU2012	PADDED 16X18 WITH HARDWARE	
	BZU2013	PADDED 18X16 WITH HARDWARE	

ITEM	NUMBER	DESCRIPTION	QTY
1-2	BZU2014	PADDED 18X18 WITH HARDWARE	KT
	BZU2015	PADDED 20X16 WITH HARDWARE	
	BZU2016	PADDED 20X18 WITH HARDWARE	
3	BZU9051	VELCRO STRIP HOOK-TO-HOOK 15"	EA

6" CASTER, FORK AND HARDWARE

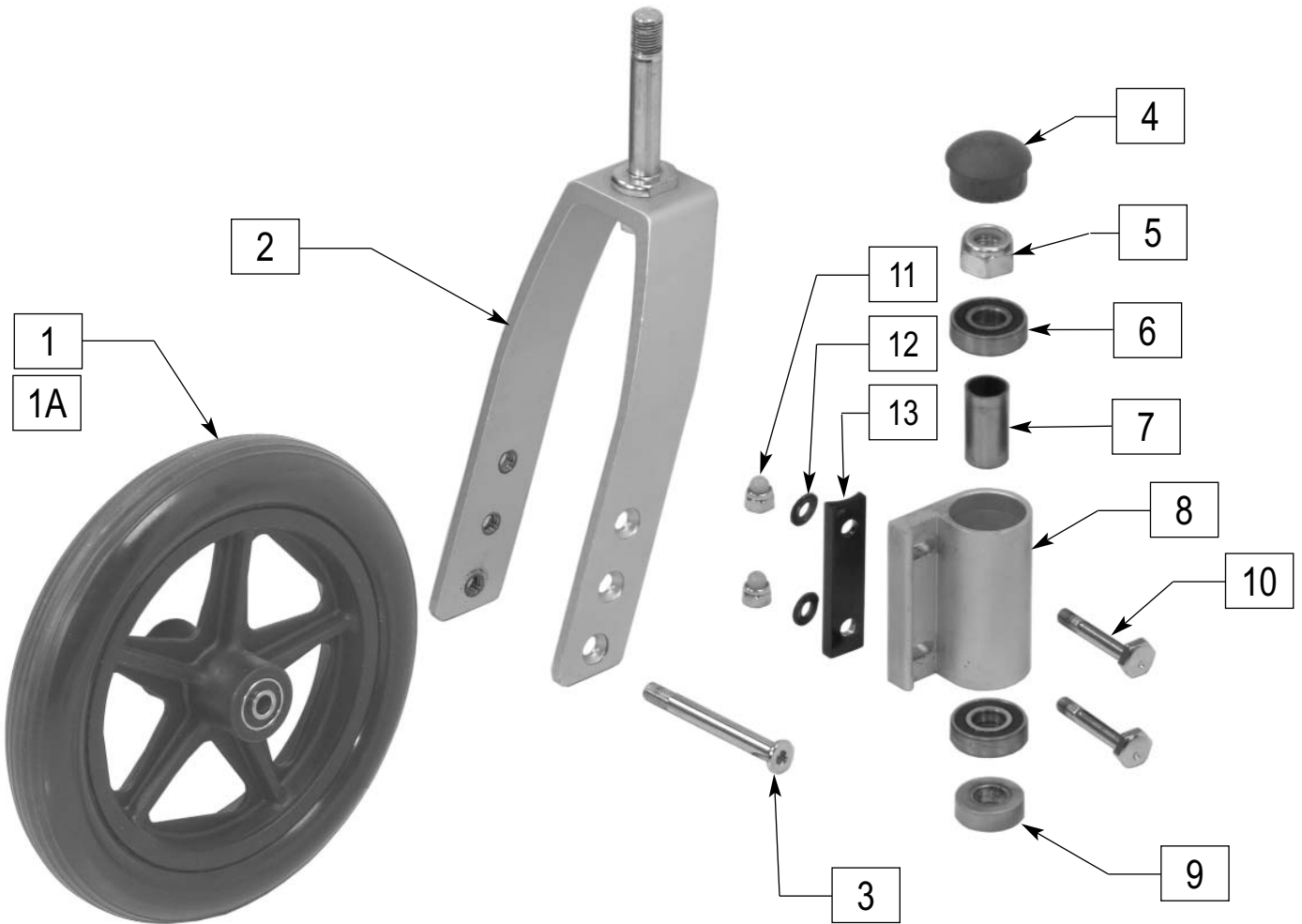


ULTRAX04

ITEM	NUMBER	DESCRIPTION	QTY
1	BZU6011	6" POLYURETHANE TIRE	EA
1A	BZU6012	6" SOLID TIRE	EA
5	GEY-CASC	EC CASTER HOUSING CAPS	KT

ITEM	NUMBER	DESCRIPTION	QTY
2-4	BZU6001	6" FORK W/HARDWARE	EA
5-14	BZU6051	CASTER HOUSING ASSM W/BEARINGS	KT
11	BZU9901	BREEZY ADJUSTABLE CASTER BOLTS	KT

8" CASTER, FORK AND HARDWARE

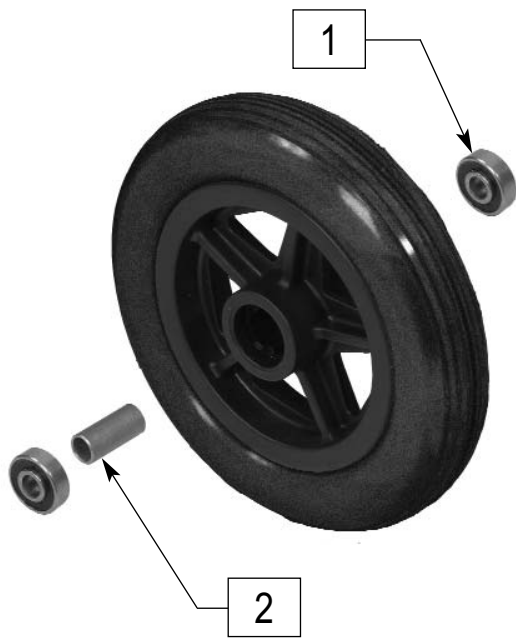


ULTRAX20

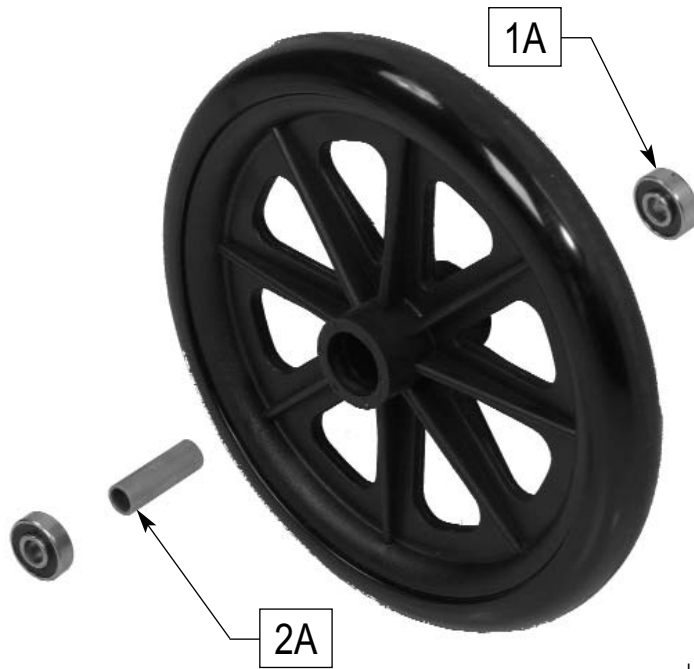
ITEM	NUMBER	DESCRIPTION	QTY
1	BZU6021	8" POLYURETHANE TIRE	EA
1A	BZU6022	8" SOLID TIRE	EA
2,3	BZU6002	8" FORK W/HARDWARE	KT

ITEM	NUMBER	DESCRIPTION	QTY
4	GEY-CASC	CASTER HOUSING CAPS	EA
4-13	BZU6051	CASTER HOUSING ASSM W/BEARINGS	KT
10	BZU9901	BREEZY ADJUSTABLE CASTER BOLTS	KT

CASTER BEARINGS



ULTRAX37

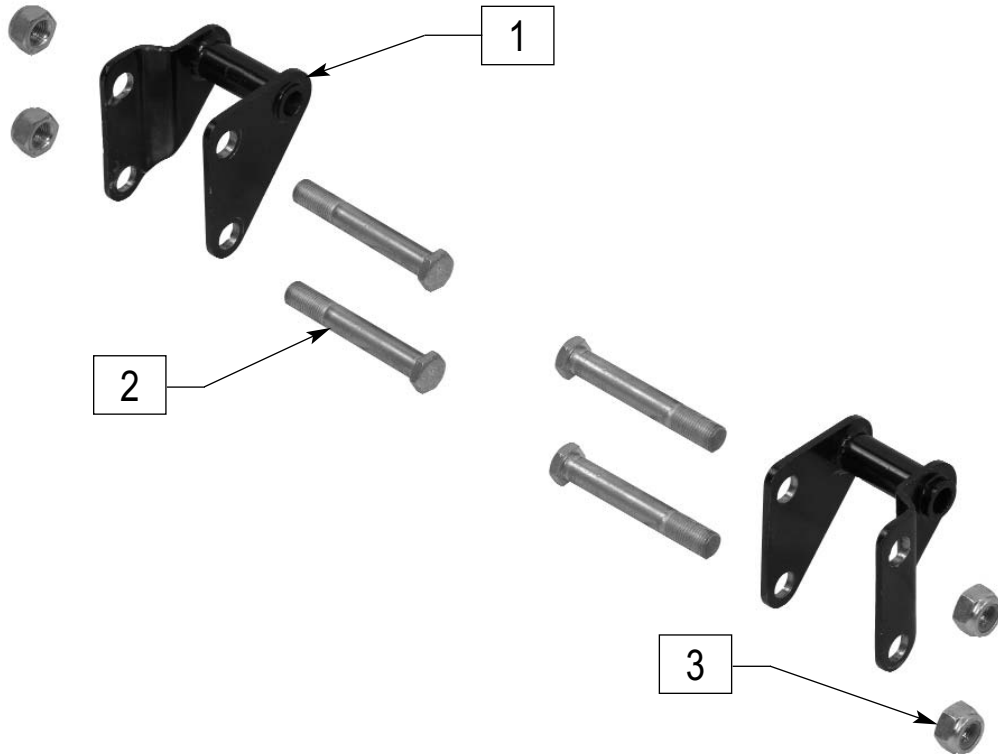


ULTRAX36

ITEM	NUMBER	DESCRIPTION	QTY
1-2	BZU6091	RPO 6" CAST TIRE BEAR & SPACE	KT

ITEM	NUMBER	DESCRIPTION	QTY
1A-2A	BZU6092	RPO 8" CAST TIRE BEAR & SPACE	KT

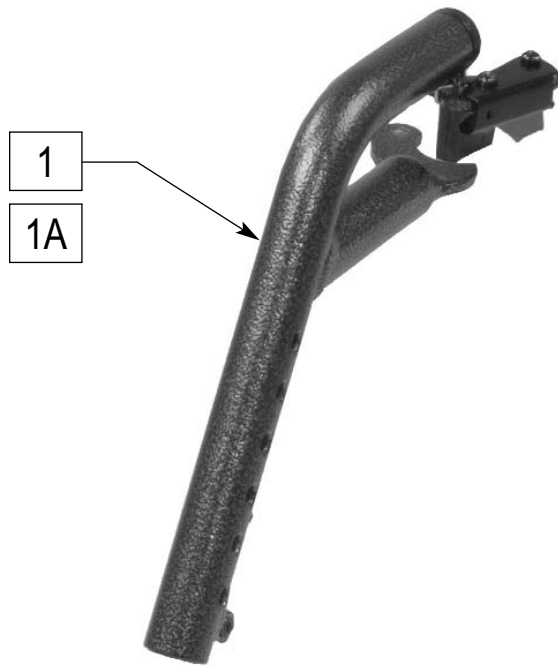
AMPUTEE OFFSET KIT



ULTRAX35

ITEM	NUMBER	DESCRIPTION	QTY
1-3	BZU7081	AMPUTEE OFFSET KIT	KT

SWING-AWAY HANGER



ULTRAX26

ITEM	NUMBER	DESCRIPTION	QTY
1	BZU5001	STD SWING AWAY BLUE 63°	PR
	BZU5002	STD SWING AWAY SILVER POLISH 63°	
	BZU5003	STD SWING AWAY SILVER 63°	
	BZU5004	STD SWING AWAY GREEN 63°	
	BZU5005	STD SWING AWAY BLACK 63°	

ITEM	NUMBER	DESCRIPTION	QTY
1A	BZU5011	SWING AWAY 70° BLUE	PR
	BZU5012	SWING AWAY 70° SILVER POLISH	
	BZU5013	SWING AWAY 70° SILVER	
	BZU5014	SWING AWAY 70° GREEN	
	BZU5015	SWING AWAY 70° BLACK	

FOOTREST

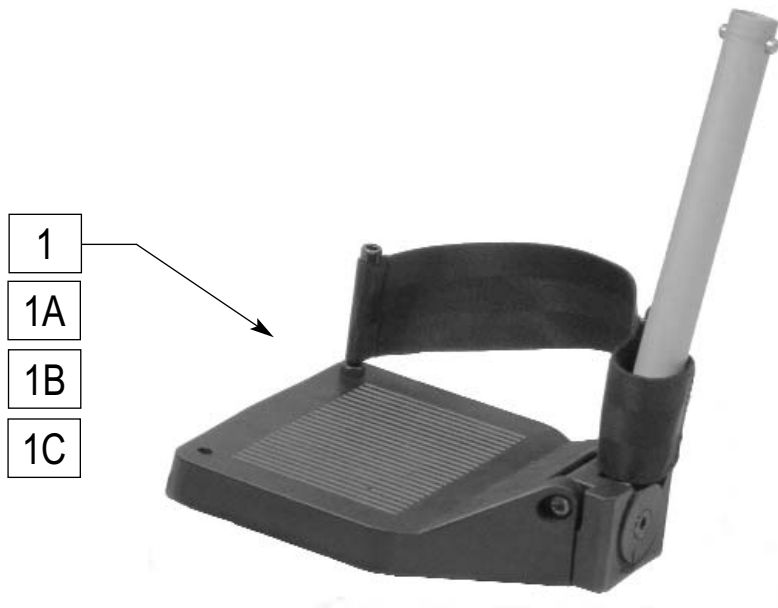


ULTRAX31

ITEM	NUMBER	DESCRIPTION	QTY
1	BZU5072	6" FOOT MEDIUM STD EXTEN TUBE	PR
1A	BZU5073	6" FOOT LONG STD EXTEN TUBE	PR

ITEM	NUMBER	DESCRIPTION	QTY
1B	BZU5074	8" FOOT MEDIUM EXTEN TUBE	PR
1C	BZU5075	8" FOOT LONG EXTEN TUBE	PR

ANGLE ADJUSTABLE FOOTREST



ULTRAX25

ITEM	NUMBER	DESCRIPTION	QTY
1	BZU5076	MD ANGL AJD EXTEN TUBE HL(18-20")	PR
1A	BZU5077	LNG ANGL AJD EXTEN TUBE HL(18-20")	PR

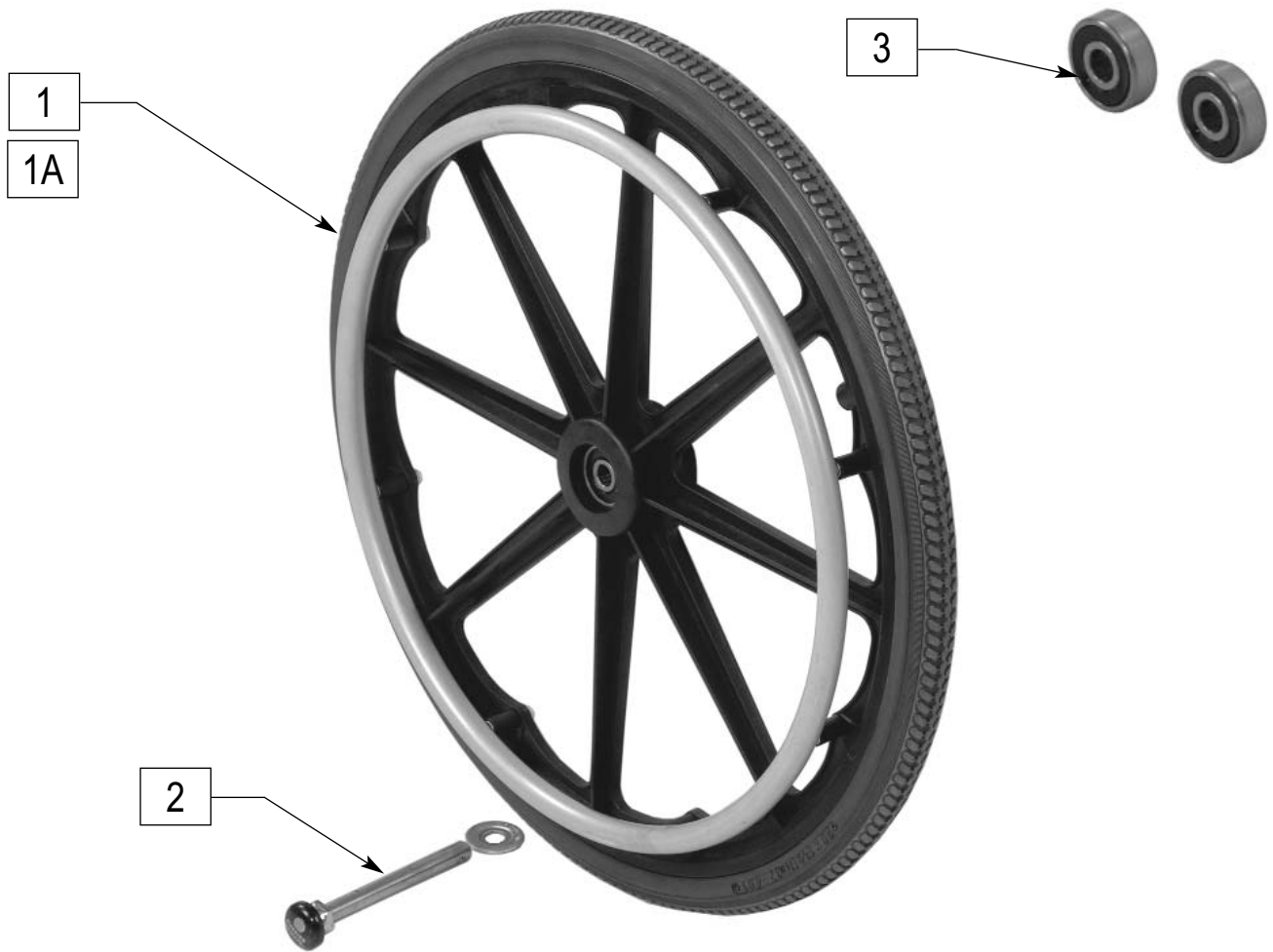
ITEM	NUMBER	DESCRIPTION	QTY
1B	BZU5078	MED ANG ADJ EXT TUBE HL SF (16")	PR
1C	BZU5079	LNG ANG ADJ EXT TUBE HL SM (16")	PR



ULTRAX23

ITEM	NUMBER	DESCRIPTION	QTY
1-2	BZU5091	ELEVATING LEGREST STD BLACK	PR
	BZU5093	ELEVATING LEGREST HEMI BLACK	
2	GEY-CALFV	VINYL CALF PAD	PR

20" MAG WHEEL



ULTRAX05

ITEM	NUMBER	DESCRIPTION	QTY
2	BZU7082	QUICK RELEASE AXLE ASSEM	EA
3	GEY-AXLEB	1 PAIR OF AXEL BEARINGS	PR
1,3	BZU7001	20" MAG FULL POLY W/ ALUM HAND	EA
1A,3	BZU7004	20" MAG FULL POLY PVC COAT HDR	EA

22" MAG WHEEL



ULTRAX13

ITEM	NUMBER	DESCRIPTION	QTY
2	BZU7082	QUICK RELEASE AXLE ASSEM	EA
3	GEY-AXLEB	1 PAIR OF AXEL BEARINGS	PR
1,3	BZU7002	22" MAG LOW POLY W/ALUM HAND	EA

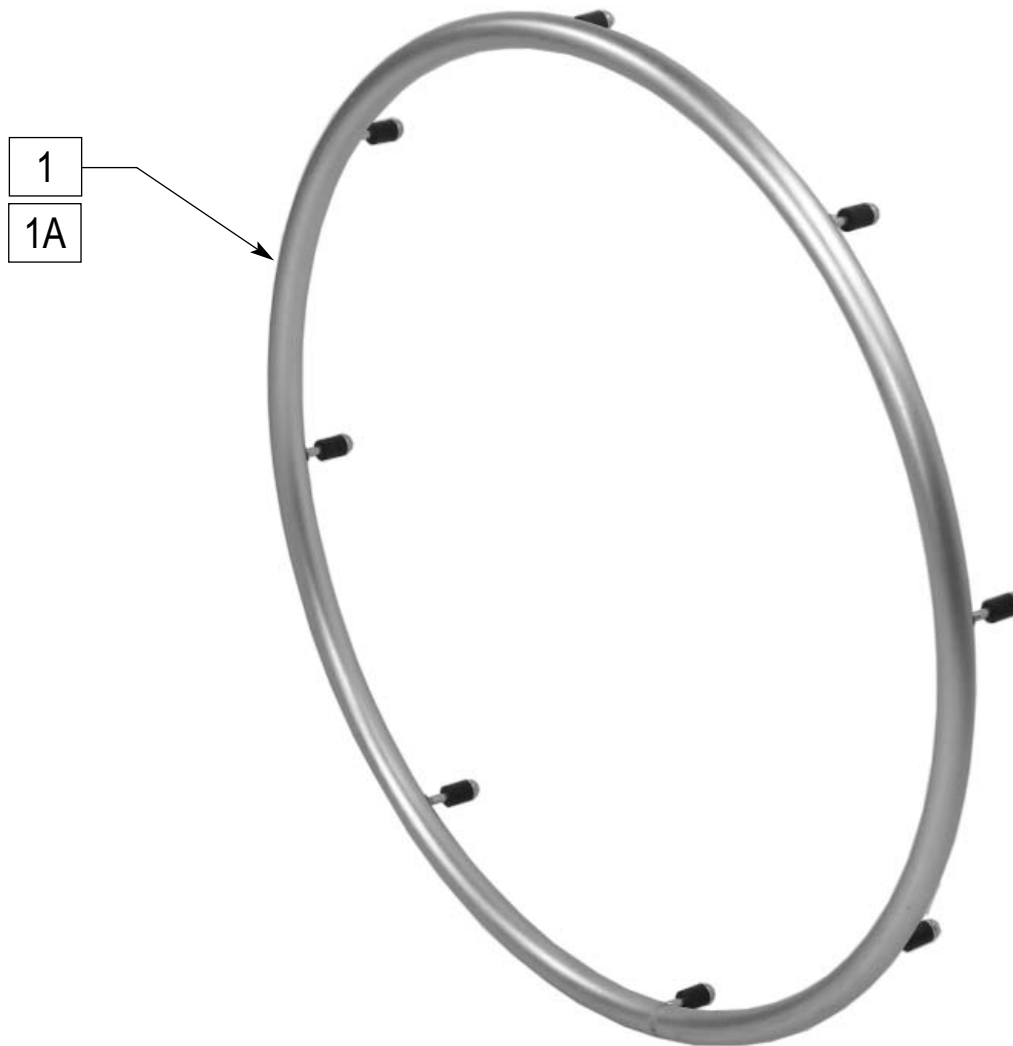
24" MAG WHEEL



ULTRAX13

ITEM	NUMBER	DESCRIPTION	QTY
2	BZU7082	QUICK RELEASE AXLE ASSEM	EA
3	GEY-AXLEB	1 PAIR OF AXEL BEARINGS	PR
1,3	BZU7003	24" MAG LOW POLY W/ALUM HAND	EA
1A,3	BZU7006	24" MAG LOW POLY PVC COAT HDR	EA
1B,3	BZU7009	24" MAG PU AIRLESS W/ALUM HDR	EA
1C,3	BZU 7018	24" MAG FULL POLY WALUM HAND	EA

HAND RIM

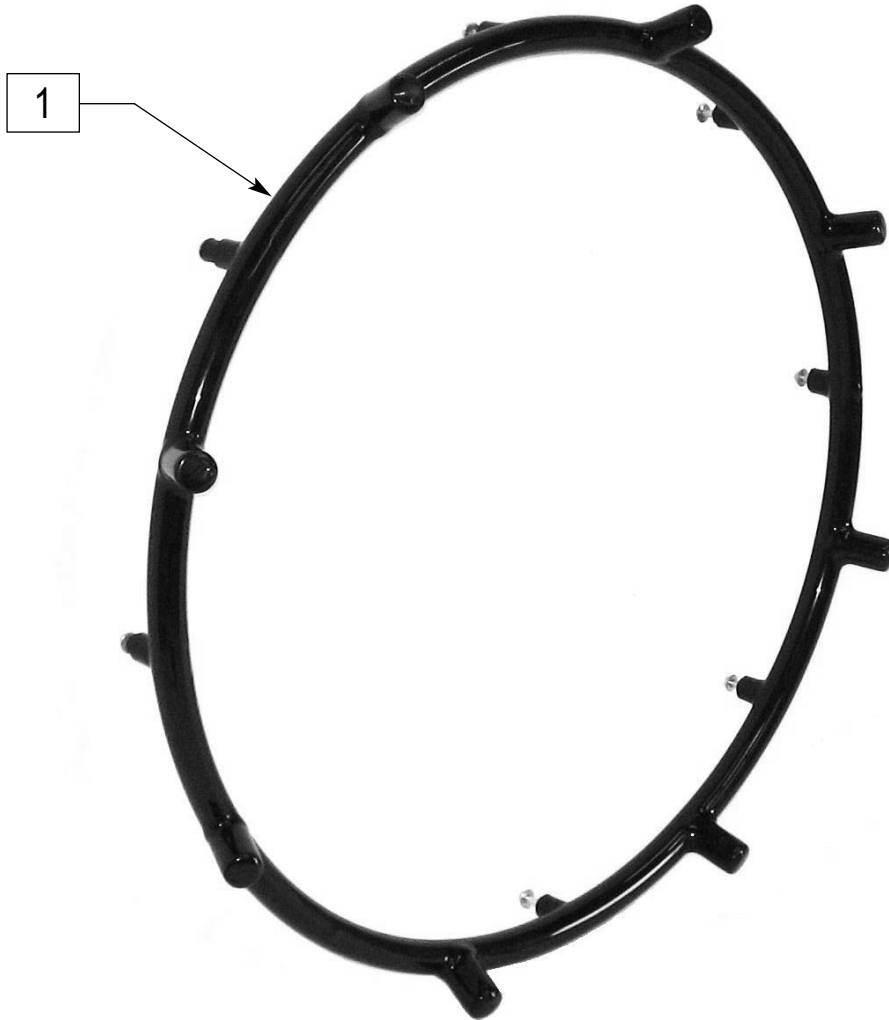


ULTRAX14

ITEM	NUMBER	DESCRIPTION	QTY
1	BZU7091	RPO 20" HANDRIM	KT
	BZU7093	RPO 24" HANDRIM 8 BOLTS	

ITEM	NUMBER	DESCRIPTION	QTY
1A	BZU7094	RPO 20" PVC COATED HANDRIM	KT
	BZU7096	RPO 24" PVC COATED HANDRIM	

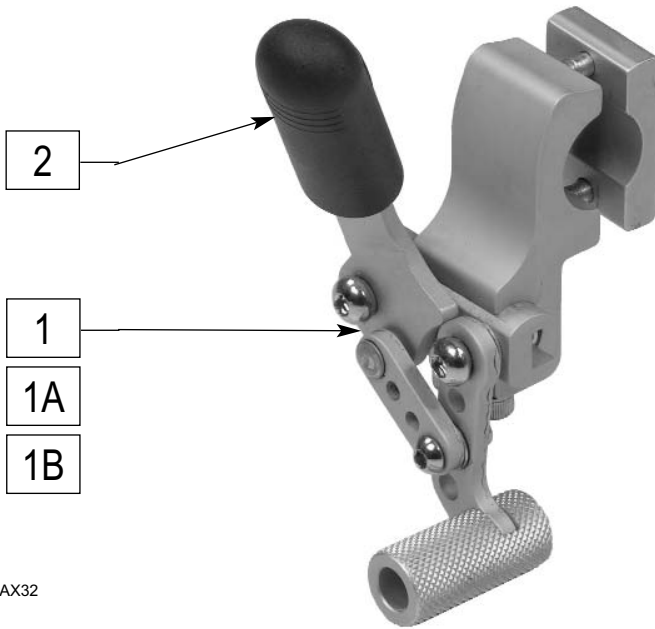
PROJECTION HAND RIM



ULTRAX62

ITEM	NUMBER	DESCRIPTION	QTY
1	BZU7057	24" FULL/PNEU PROJECTION RIM	KT
	BZU7059	24" LOW PROJECTION RIM	KT

STANDARD WHEEL LOCKS – PULL



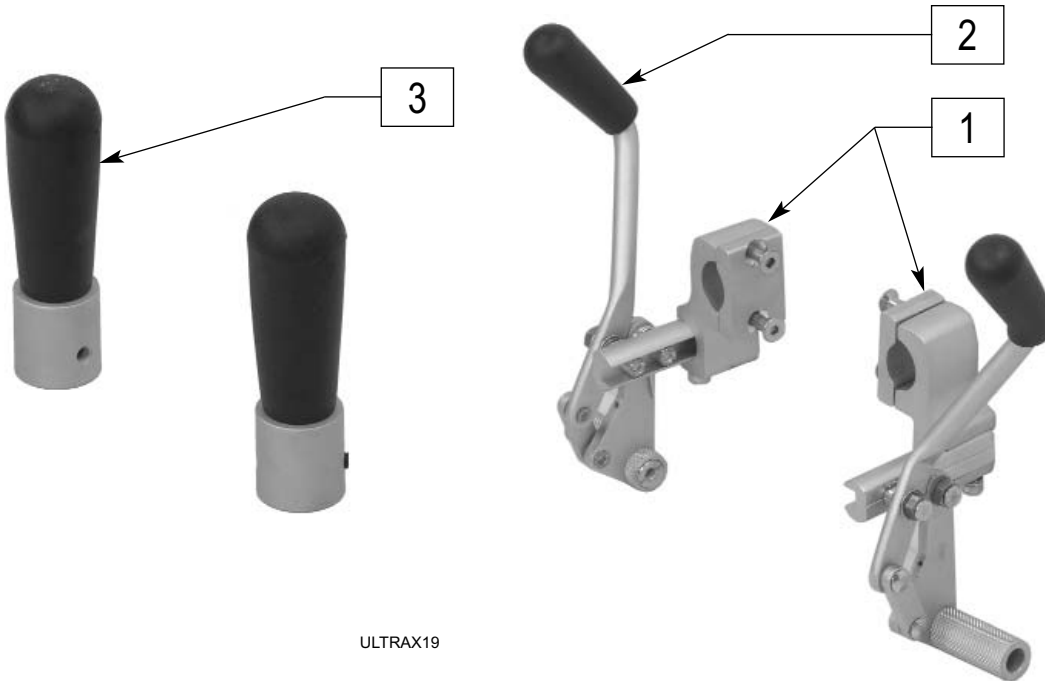
ULTRAX32



ULTRAX43

ITEM	NUMBER	DESCRIPTION	QTY
1	BZU8002	PULL-TO-LOCK WITH HARDWARE	PR
2	GEY-BRAKEHD	EC BRAKE HANDLE	KT
3	BZU8072	EXTENSION HANDLES- PULL	PR

STANDARD WHEEL LOCKS – PUSH

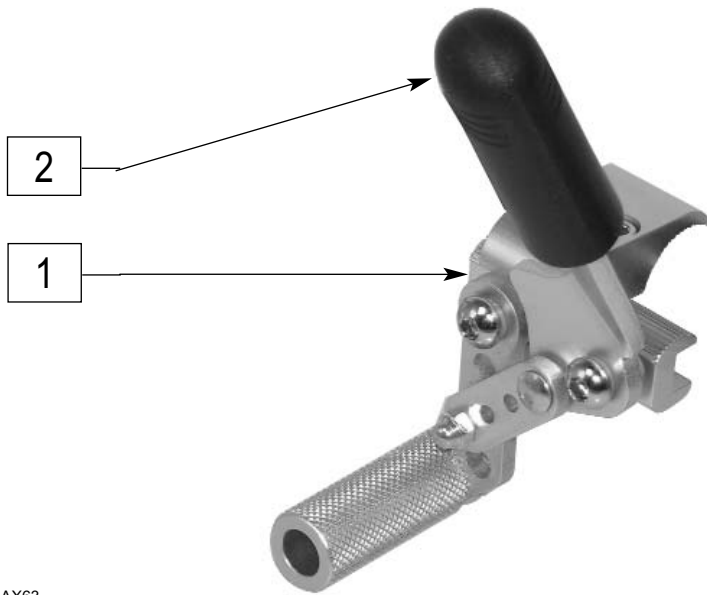


ULTRAX19

ULTRAX18

ITEM	NUMBER	DESCRIPTION	QTY
1	BZU8001	PUSH-TO-LOCK WITH HARDWARE	PR
2	BZU9902	BREEZY WHEEL LOCK PUSH HANDLE	PR
3	BZU8071	EXTENSION HANDLES- PUSH	PR

HEMI WHEEL LOCKS – PULL



ULTRAX63



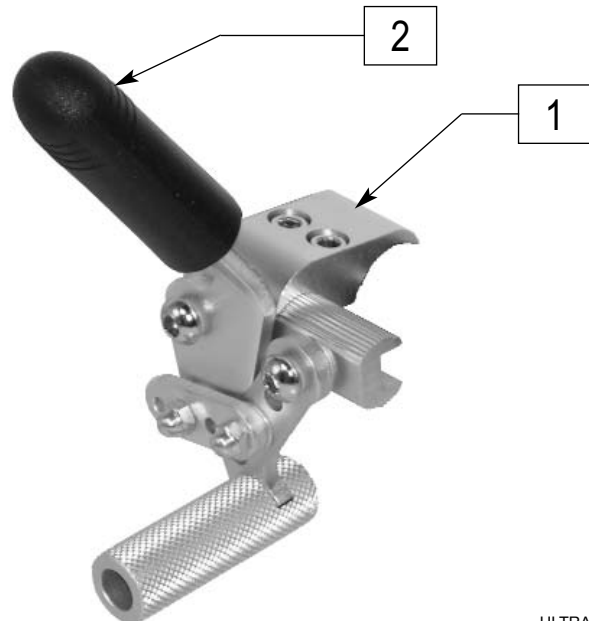
ULTRAX43

ITEM	NUMBER	DESCRIPTION	QTY
1	BZU8003	PULL-TO-LOCK HEMI W/HARDWARE	PR
2	GEY-BRAKEHD	EC BRAKE HANDLE	KT
3	BZU8072	EXTENSION HANDLES- PULL	PR

HEMI WHEEL LOCKS – PUSH



ULTRAX43



ULTRAX64

ITEM	NUMBER	DESCRIPTION	QTY
1	BZU8004	PUSH-TO-LOCK HEMI W/HARDWARE	PR
2	GEY-BRAKEHD	EC BRAKE HANDLE	KT
3	BZU8072	EXTENSION HANDLES- PULL	PR

NOTES

NOTES

NOTES



Sunrise Medical
7477 East Dry Creek
Parkway
Longmont, CO 80503
303.218.4600
800.333.4000
800.263.3390 in Canada

© Sunrise Medical Inc.
930856 Rev. C