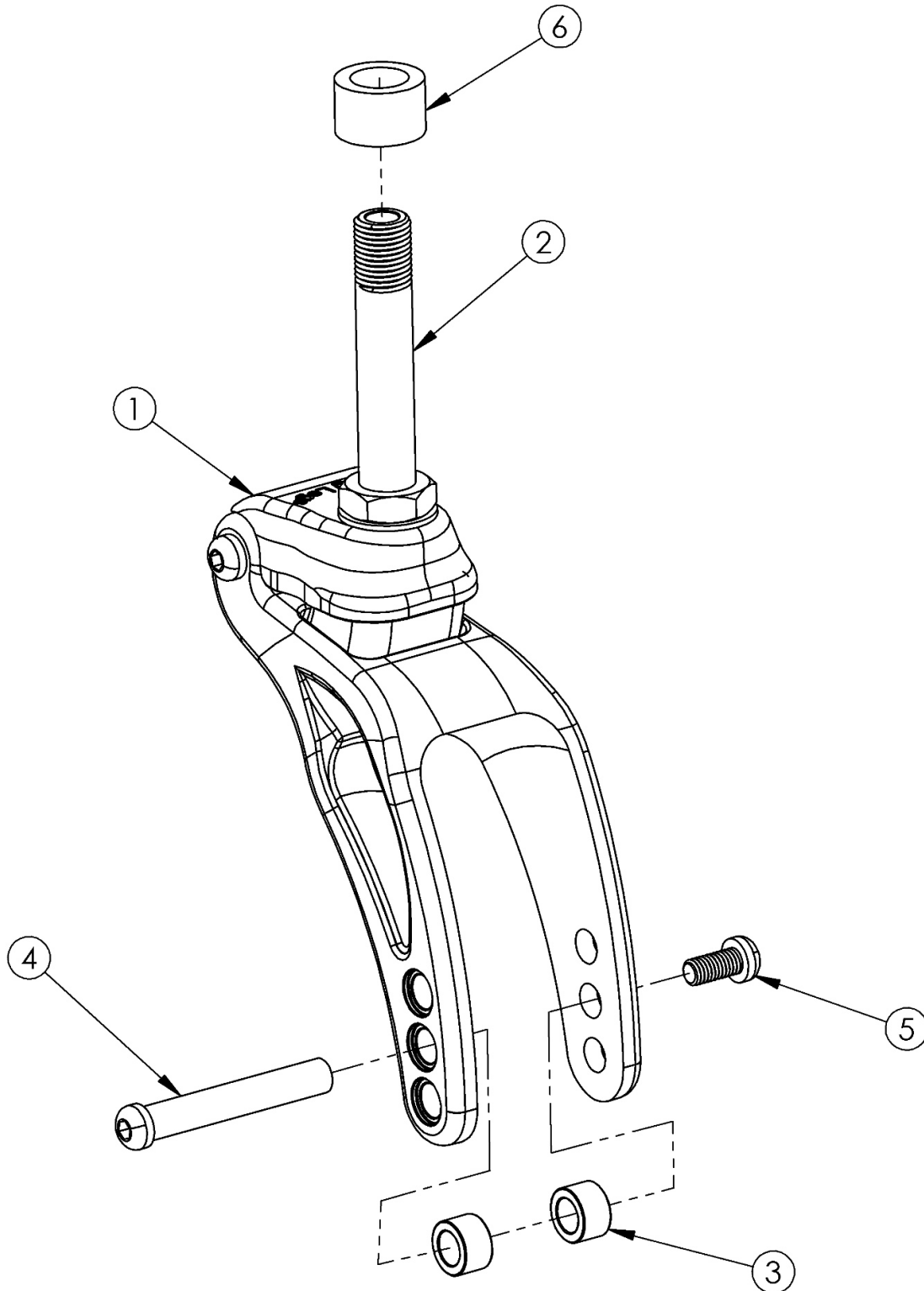


Catalyst Frog Legs II Suspension System (PHASE 2 Carbon Fork)



Not available with Heavy Duty Option

Item Number	Part Number	Description	Quantity
1, 2a, 3-6	107331	Frog Legs II Suspension System Assembly 1/2 x 2.5" Stem, Catalyst <i>Replaced 504735</i>	1
1, 2b, 3-6	107332	Frog Legs II Suspension System Assembly 1/2 x 3" Stem, Catalyst <i>Replaced 504736</i>	1
1, 2c, 3-6	107333	Frog Legs II Suspension System Assembly 1/2 x 3.5" Stem, Catalyst <i>Replaced 504737</i>	1
1, 2d, 3-6	107334	Frog Legs II Suspension System Assembly 1/2 x 4" Stem, Catalyst <i>Replaced 504738</i>	1
1, 2e, 3-6	107335	Frog Legs II Suspension System Assembly 1/2 x 4.5" Stem, Catalyst <i>Replaced 504739</i>	1
1, 3-5	107187	Frog Legs II Suspension System with Polymer, Catalyst/RG ALX/LW XP <i>Replaced 103193</i>	1
2a	105059	Frog Legs Fork Stem 1/2 x 2.5", +3/4"	1
2b	105060	Frog Legs Stem 1/2 x 3"	1
2c	105061	Frog Legs Stem 1/2 x 3.5"	1
2d	105062	Frog Legs Stem 1/2 x 4"	1
2e	105063	Frog Legs Stem 1/2 x 4.5"	1
6	200409	Frog Legs Stem Spacer	1



Frog Legs Suspension Fork & Frog Legs II Suspension System Catalyst/Spark Front Seat Height Matrix

NOTE: Measurements for front seat height are measured from the center of the fork hole.

NOTE: Frog Legs Suspension Fork was formerly called Frog Legs Ultra Sport. Frog Legs II Suspension System was formerly called Phase 2 Carbon Fork.

Frog Legs Suspension Fork Polymer Matrix*	
Part Number	Weight Range
105053	< 80 lbs
105054	80 - 120 lbs
105055	120 - 160 lbs
105056	160 - 220 lbs
105057	220 - 260 lbs
105058	260 - 300 lbs

*Polymers based on weight are not needed with Frog Legs II Suspension System

Stem Spacer
Part Number
200409

Frog Legs Suspension Fork and Frog Legs II Suspension System are not available with:

- Caster Pin Locks
- Heavy Duty/350 lb Weight Capacity
- 2" Wide Casters

Standard Frame											
3" Caster			4" Caster			5" Caster			6" Caster		
Stem	FSH	Stem Spacer Qty per Fork	Stem	FSH	Stem Spacer Qty per Fork	Stem	FSH	Stem Spacer Qty per Fork	Stem	FSH	Stem Spacer Qty per Fork
105059 2.5"			105059 2.5"	16	0	105059 2.5"			105059 2.5"		
	16	0		16.5	0		17	0			
	16.5	1		17	1		17.5	1		18	0
105060 3"			105060 3"	16.5	0	105060 3"			105060 3"		
	16.5	1		17	1		17.5	1			
	17	2		17.5	2		18	2		18.5	1
105061 3.5"			105061 3.5"	17	1	105061 3.5"			105061 3.5"		
	17	2		17.5	2		18	2			
	17.5	3		18	3		18.5	3		19	2
105062 4"			105062 4"	17.5	2	105062 4"			105062 4"		
	17.5	3		18	3		18.5	3			
	18	4		18.5	4		19	4		19.5	3
105063 4.5"			105063 4.5"	18	3	105063 4.5"			105063 4.5"		
	18	4		18.5	4		19	4			
	18.5	4		19	4		19.5	4		20	4

Super Low Frame											
3" Caster			4" Caster			5" Caster			6" Caster		
Stem	FSH	Stem Spacer Qty per Fork	Stem	FSH	Stem Spacer Qty per Fork	Stem	FSH	Stem Spacer Qty per Fork	Stem	FSH	Stem Spacer Qty per Fork
105059 2.5"			105059 2.5"	14.5	0	105059 2.5"			105059 2.5"		
	14.5	0		15	0		15.5	0			
	15	1		15.5	1		16	1		16.5	0
105060 3"			105060 3"	15	0	105060 3"			105060 3"		
	15	1		15.5	1		16	1			
	15.5	2		16	2		16.5	2		17	1
105061 3.5"			105061 3.5"	15.5	1	105061 3.5"			105061 3.5"		
	15.5	2		16	2		16.5	2			
	16	3		16.5	3		17	3		17.5	2
105062 4"			105062 4"	16	2	105062 4"			105062 4"		
	16	3		16.5	3		17	3			
	16.5	4		17	4		17.5	4		18	3
105063 4.5"			105063 4.5"	16.5	3	105063 4.5"			105063 4.5"		
	16.5	4		17	4		17.5	4			
	17	4		17.5	4		18	4		18.5	4

04-24-2023