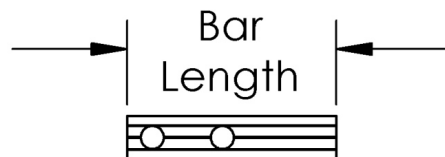
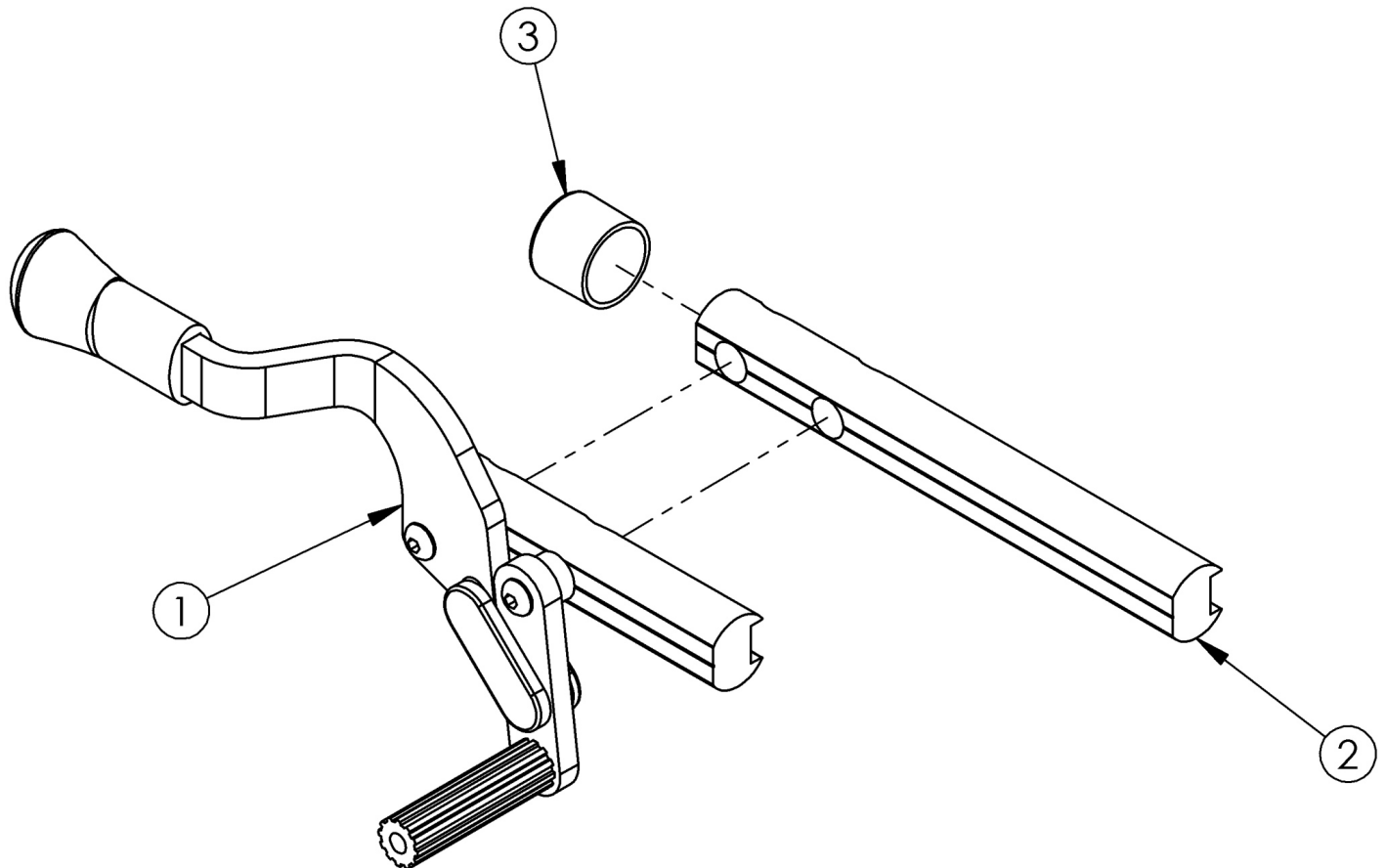


Clik Push to Lock Flush Mount Wheel Lock



Part #	Bar	Length
N/A	Standard	3.5"
000904	Extended	6.0"

Item Number	Part Number	Description	Quantity
1a, 1b	124895	Wheel Lock Toggle Push Flush PAIR	1
1a	503828	Wheel Lock Toggle Push Flush, Left w/ Instruction <i>This kit contains 100648 wheel lock along with an instruction for reversing the wheel lock. This wheel lock comes assembled with the standard wheel lock bar.</i>	1
1b	503829	Wheel Lock Toggle Push Flush, Right w/ Instruction <i>This kit contains 100649 wheel lock along with an instruction for reversing the wheel lock. This wheel lock comes assembled with the standard wheel lock bar.</i>	1

Item Number	Part Number	Description	Quantity
2	000904	Extended Wheel Lock Bar <i>Used as needed</i>	1
3	002835	End Cap Plastic 3/4" <i>Used as needed with Extended Wheel Lock Bar</i>	1