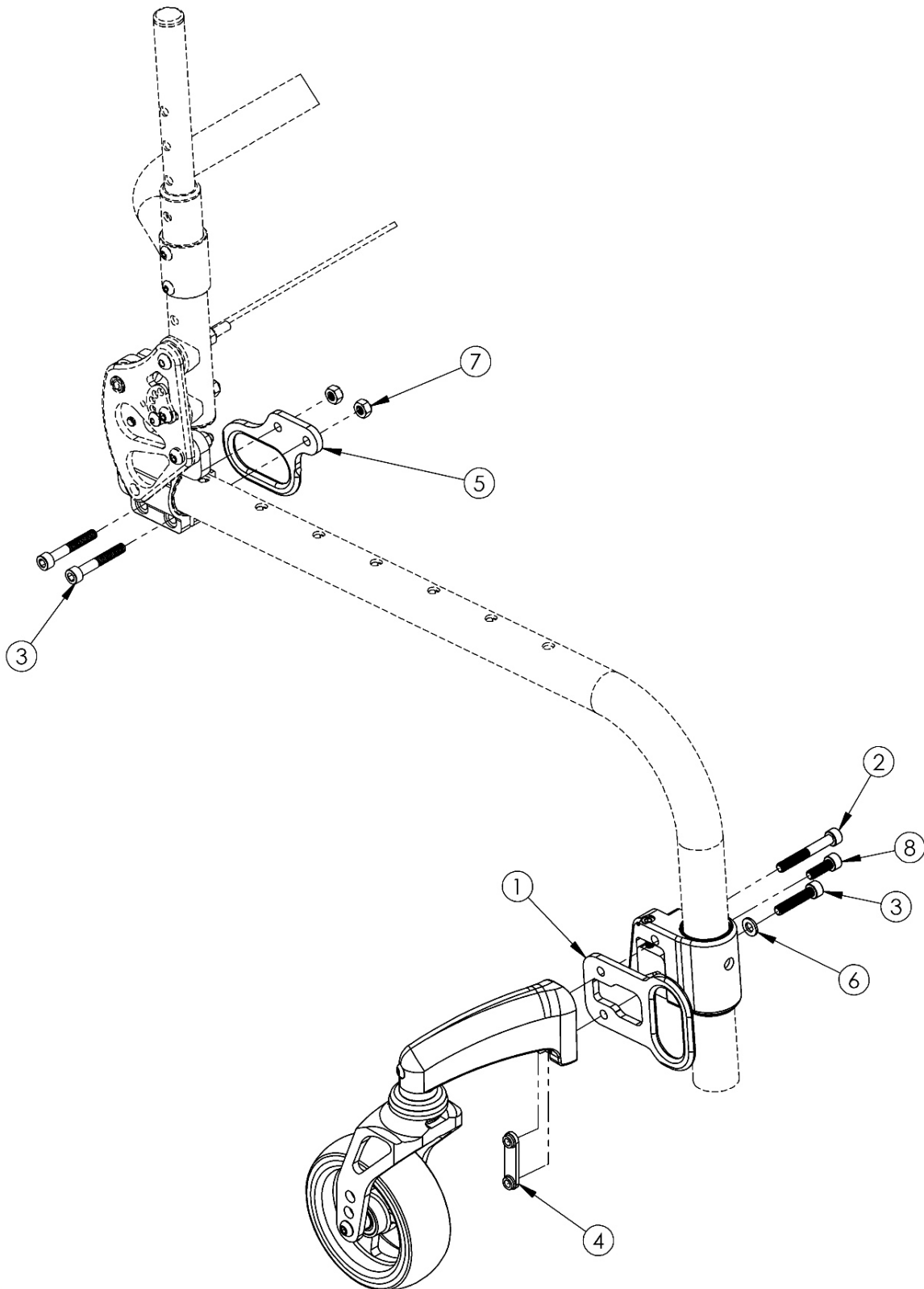


# Clik Transit



Chair configuration review required prior to parts being quoted or ordered. <p>  
 0" minimum Center of Gravity is required with Transit.

Item Number	Part Number	Description	Quantity	Retail
1 - 8	502484	Transit Retrofit Kit Klik <i>This kit is a complete retrofit, containing a pair of front and rear transit brackets and hardware.</i>	1	\$353.00
2	102473	M6 X 50 CLS12.9 SHCS BLK ZC	2	\$4.41
3	101810	M6 x 35 SHCS BLK ZC	2	\$1.10
4	002462	M6 X 1.0 Dual Hole Nut	2	\$25.88
6	100746	M6 Flat Washer Blk Zn	4	\$1.66
7	100658	M6 Nylock Nut Blk Zn	4	\$1.10
8	101844	M6 x 18 SHCS Blk Zn	4	\$1.10