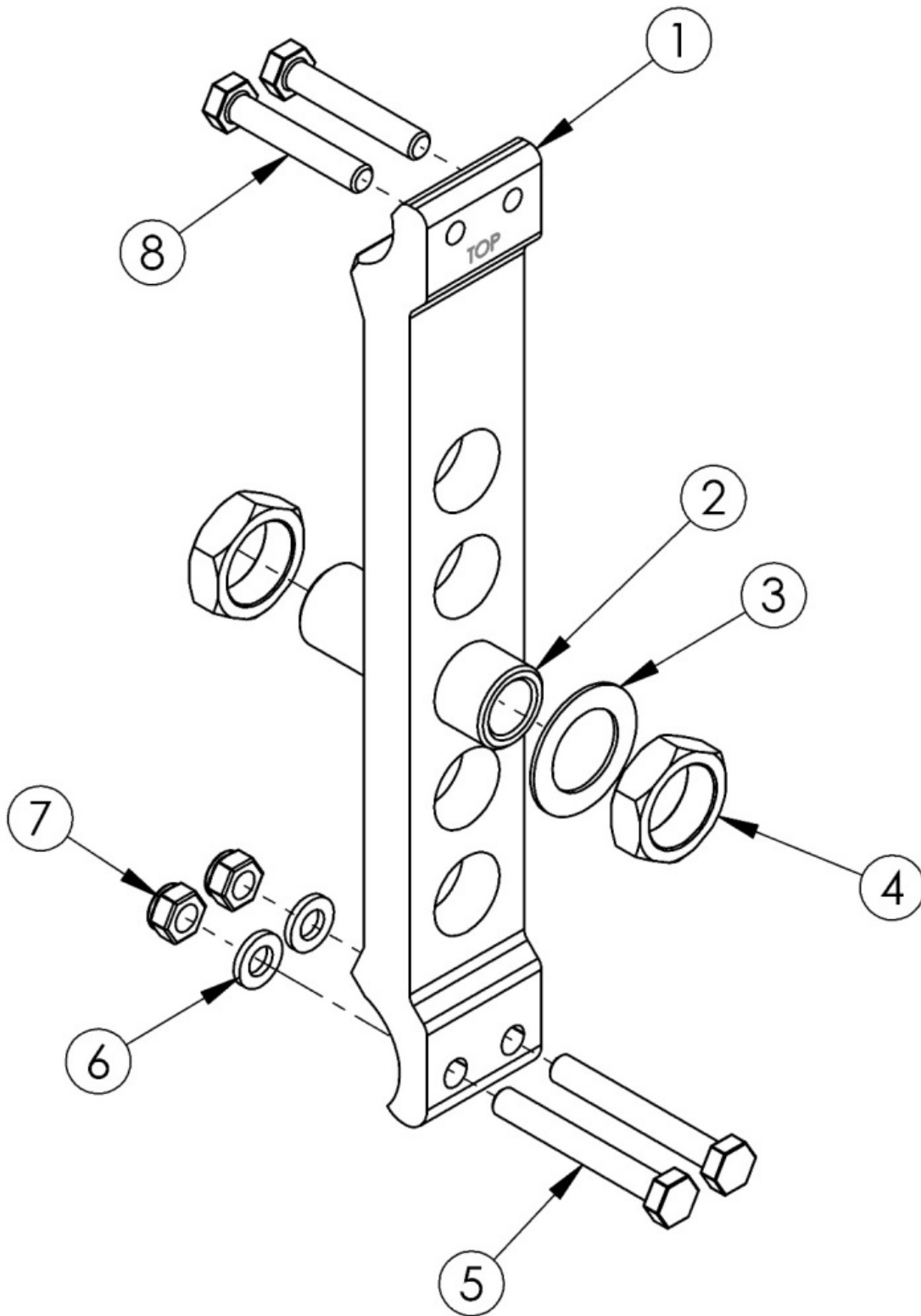


(Discontinued) Catalyst 5Vx Vertical Axle Plate



This design discontinued January 22nd, 2018 for most Catalyst 5VX chairs. All Catalyst 5VX chairs discontinued this design February 20th, 2019.

Item Number	Part Number	Description	Quantity
3	100583	Axle Plate Washer 18mm	1
4	100514	Axle Receiver Nut M18 x D12 x 8mm	2
5	100674	M6 x 45 CLS10.9 DIN931 HHCS ZC	2
6	100746	M6 Flat Washer Blk Zn	2
7	100658	M6 Nylock Nut Blk Zn	2
8	100860	M6 x 35 HHCS P/THD ZC	2