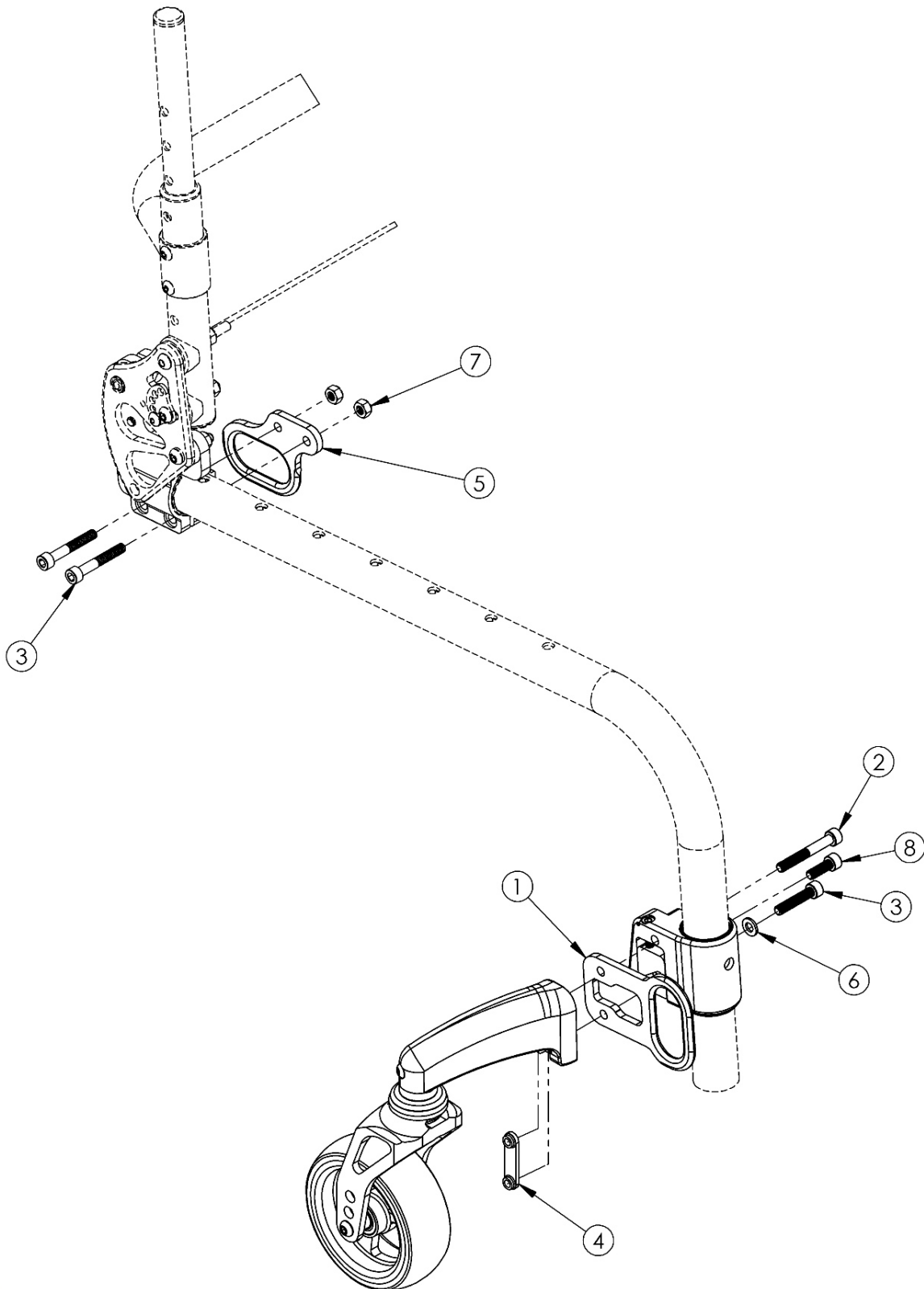


Clik Transit



Chair configuration review required prior to parts being quoted or ordered. 0" minimum Center of Gravity is required with Transit.

Item Number	Part Number	Description	Quantity
1 - 8	502484	Transit Retrofit Kit Clik <i>This kit is a complete retrofit, containing a pair of front and rear transit brackets and hardware.</i>	1
2, 3, 6-8	119704	Clik Caster Mount Transit Hardware Kit <i>Contains hardware for both sides</i>	1
2	102473	M6 X 50 CLS12.9 SHCS BLK ZC	2
3	101810	M6 x 35 SHCS BLK ZC	2
4	002462	M6 X 1.0 Dual Hole Nut	2
6	100746	M6 Flat Washer Blk Zn	4
7	100658	M6 Nylock Nut Blk Zn	4
8	101844	M6 x 18 SHCS Blk Zn	4