

CUSTOMER				SHIP TO			
Company				Name			
Account #		Date		Address			
<input type="checkbox"/> Quote	<input type="checkbox"/> PO #			City		State	
Buyer				ZIP	Phone		
Mark For				Email / Fax			
<input type="checkbox"/> Quote has Additional Sunrise Products with different Quote / Order #				Quote / Order #			

The HCPCS CODES herein are based on PDAC verification or interpretation of Medicare definitions and guidelines. Non-Medicare payers may accept alternative HCPCS CODES, including misc. codes to ensure access for their enrollees. The use of HCPCS CODES does not ensure coverage or payment.

Technical Data Overview			
Maximum User Weight	275 lbs. (125 kg)	Motor	250W / 22Nm
Wheelchair Rear Wheel Sizes	24"   25"   26" (540   559   590)	Operating Voltage	36V
Device Weight (excluding battery)	13.0lbs (5.9kg)	Maximum Motor Noise	50 db
Battery Weight (2.5Ah / 5Ah)	1.5 lbs. (0.7 kg) / 2.6 lbs. (1.2 kg)	Battery Type	Lithium-Ion 36V 2.5Ah / 5Ah
Battery Range (2.5Ah / 5Ah)	9.8 mi / 19.5 mi (15.7 km / 31.4 km)	Device Charger Type	100-240V AC, 36V - 2.7A
Maximum Speed	3.7 mph (6 kph)   5.5 mph (9 kph)	Docking Charger	100-240V AC, 36V - 3A
Maximum Slope	6°	Control Box	IP54 Bluetooth
Motor Wheel Size	8" air-chambered solid tire	Bluetooth Standard	5.2

### BASE

✓ OPTION	HCPCS	DESCRIPTION	RETAIL
Empulse R90 Packages			\$
<input type="checkbox"/> 209MW91	E0986	<b>Empulse R90</b> Device Charger, Control Box, V-Lock Latch, Travel Bag, <b>2.5Ahr Battery</b>	\$ 7,300.00
<input type="checkbox"/> 209MW92	E0986	<b>Empulse R90 Range</b> Device Charger, Control Box, V-Lock Latch, Travel Bag, <b>5.0Ahr Battery</b>	\$ 7,620.00

### Options and Accessories - Batteries are interchangeable and can be used with either package

<input type="checkbox"/> 209AG42	Additional 2.5Ah Lithium-Ion Battery (9.8 mi, 15.7 km)	\$ 350.00
<input type="checkbox"/> 209AG39	Additional 5.0Ah Lithium-Ion Battery (19.5 mi, 31.4 km)	\$ 500.00
<input type="checkbox"/> 209BJ4	Docking Charger (3Ahr)	\$ 300.00

### Maximum Speed

<input type="checkbox"/> 209S103	5.5 mph (9 kph)	STD
----------------------------------	-----------------	-----

### Control Box

<input type="checkbox"/> 209QG13	Control Box Right Hand - Contains short and tall plate	NC
<input type="checkbox"/> 209QG14	Control Box Left Hand - Contains short and tall plate	NC

### WHEELCHAIR

✓ OPTION	DESCRIPTION	RETAIL	✓ OPTION	DESCRIPTION	RETAIL
Wheelchair Axle Range					
Distance from ground to camber tube					

<input type="checkbox"/> 209WS6	24 Wheel Size ( 540 Wheels)	NC	<input type="checkbox"/> 209WS7	26 Wheel Size (590 Wheels)	NC
<input type="checkbox"/> 209W22	25 Wheel Size (559 Wheels)	NC			

Type \$

Selection required. Specify type of wheelchair.

- 2099V47 Rigid Wheelchair NC
 2099V48 Folding Wheelchair \$ 320.00

**FRAME**

**Rigid Frame: Camber Tube Diameter** \$

Select the diameter of the Camber Tube Size.

**Standard Clamp for Frame Camber Tube** (1.26" or 32mm) - Select Insert Size below if Tube Diameter is less than 1.26" or 32mm NC

- Select following size:  209C1105 0.87" (22mm)  209C1106 0.98" (25mm)  209C1107 1.11" (28mm)  209C1108 1.18" (30mm)  209C1109 1.26" (32mm)

**Large Clamp for Frame Camber Tube** (1.77" or 45mm) - Select Insert Size below if Tube Diameter is less than 1.77" or 45mm NC

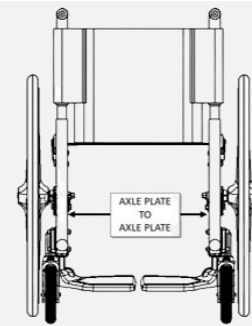
- Select following size:  209C1110 1.38" (35mm)  209C1111 1.50" (38mm)  209C1112 1.77" (45mm)

**Folding Frame: Inside Axle Distance** \$

Select the distance from inside axle plate to inside axle plate.

- 209AX6 X Small Interior Axle Distance (12" - 13" or 300mm - 330mm) NC  
 209AX7 Small Interior Axle Distance (13.1" - 15.9" or 331mm - 400mm) NC  
 209AX14 Medium Interior Axle Distance (16.0" - 18.0" or 401mm - 450mm) NC  
 209AX15 Large Interior Axle Distance (18.1" - 21.0" or 451mm - 530mm) NC

AXLE PLATE TO AXLE PLATE WIDTH (in)	AXLE PLATE TO AXLE PLATE WIDTH (mm)	FOLDING AXLE ASY			
		X-SMALL	SMALL	MEDIUM	LARGE
12.0-13.0	300-330	x			
13.1-15.9	331-400		x		
16.0-18.0	401-450			x	
18.1-21.0	451-530				x

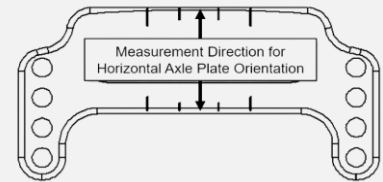
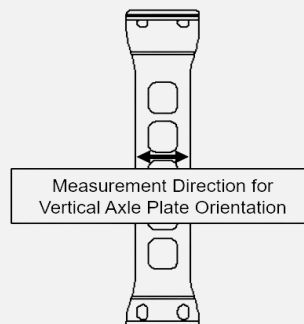


**Folding Frame: Axle Plate Size** \$

Select the size of the Axle plate.

- 209AL30 Small Axle Plate (1.0" - 1.5" or 25mm - 38mm) NC
 209AL72 Large Axle Plate (2.1" - 2.25" or 51mm-60mm) NC  
 209AL31 Medium Axle Plate (1.6" - 2" or 39mm-50mm) NC

AXLE PLATE SIZE (in.)	AXLE PLATE SIZE (mm.)	AXLE PLATE ADAPTER		
		SMALL	MEDIUM	LARGE
1.0-1.5	25-38	x		
1.6-2.0	39-50		x	
2.1-2.25	51-60			x



**Folding Frame: Options** \$

- 2098A84 Quickie 2 Lite Anti Tip Option \* The R90 is not compatible with the stock Quickie 2 Lite Anti tips \$ 160.00