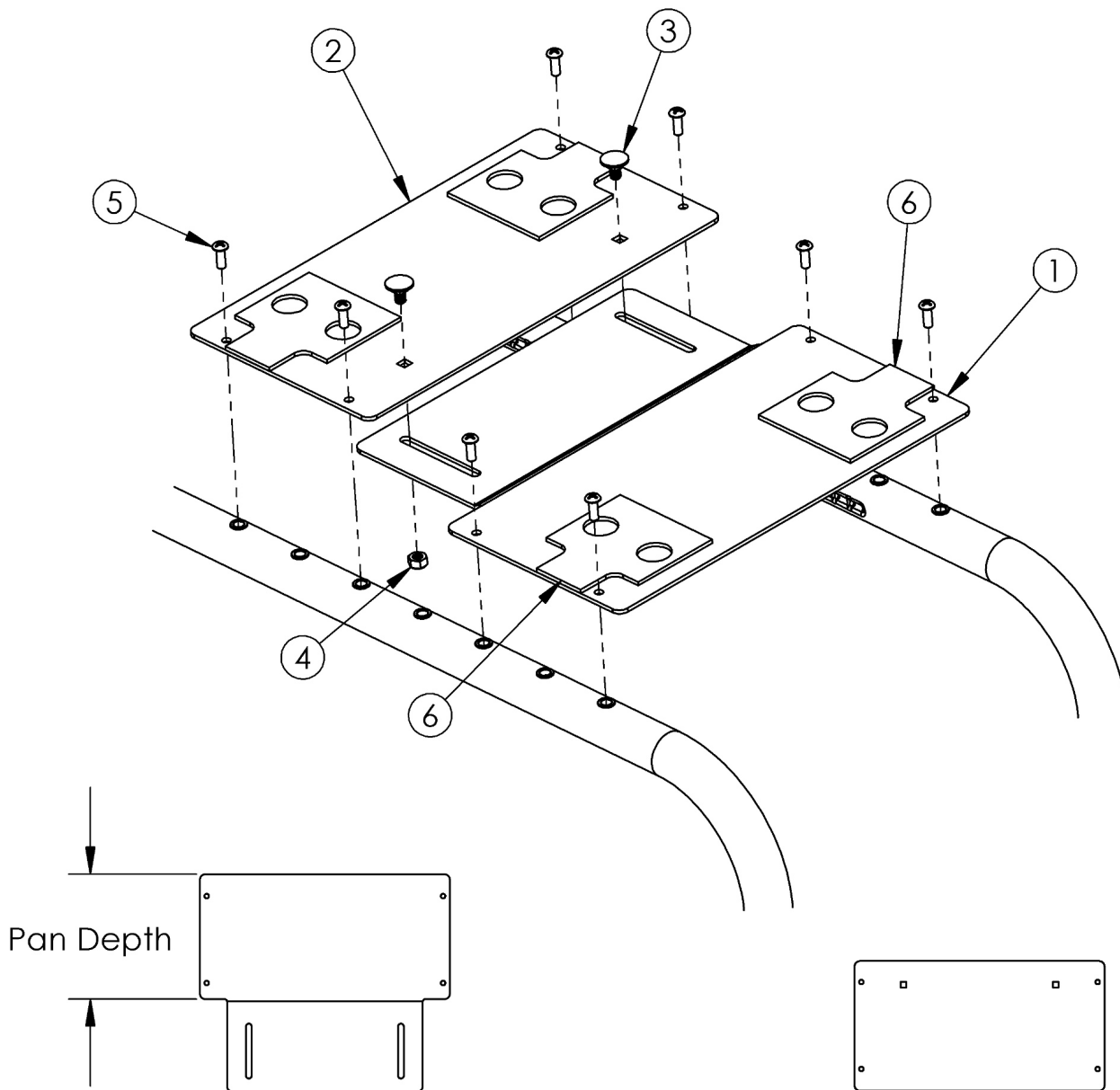


Clik Growing Solid Seat Pan



Front		
Part No's	Depth	For Chair Depths
001950 - 001958	4.0"	8"-11"
001966 - 001976	6.0"	12"-13"
001988 - 001997	8.0"	14"-18"

Rear		
Part No's	Depth	For Chair Depths
001959 - 001965	4.0"	8"-9"
001977 - 001987	6.0"	10"-15"
001998 - 002005	8.0"	16"-18"

Seat pan width measures approximately 0.5" less than the chair width; see image above for seat pan depth measurement.

Item Number	Part Number	Description	Quantity
3-5	502619	Seat Pan Hardware Assembly Clik	1

Item Number	Part Number	Description	Quantity
1a, 2a, 3-6	503835	Seat Pan Assm, 8" Wide, 8"/9" Depth Klik	1
1a, 2h, 3-6	503836	Seat Pan Assm, 8" Wide, 10"/11" Depth Klik	1
1j, 2h, 3-6	503837	Seat Pan Assm, 8" Wide, 12"/13" Depth Klik	1
1b, 2b, 3-6	503838	Seat Pan Assm, 9" Wide, 8"/9" Depth Klik	1
1b, 2i, 3-6	503839	Seat Pan Assm, 9" Wide, 10"/11" Depth Klik	1
1k, 2i, 3-6	503840	Seat Pan Assm, 9" Wide, 12"/13" Depth Klik	1
1u, 2i, 3-6	503841	Seat Pan Assm, 9" Wide, 14" Depth Klik	1
1c, 2c, 3-6	503842	Seat Pan Assm, 10" Wide, 8"/9" Depth Klik	1
1c, 2j, 3-6	503843	Seat Pan Assm, 10" Wide, 10"/11" Depth Klik	1
1l, 2j, 3-6	503844	Seat Pan Assm, 10" Wide, 12"/13" Depth Klik	1
1v, 2j, 3-6	503845	Seat Pan Assm, 10" Wide, 14"/15" Depth Klik	1
1d, 2d, 3-6	503846	Seat Pan Assm, 11" Wide, 8"/9" Depth Klik	1
1d, 2k, 3-6	503847	Seat Pan Assm, 11" Wide, 10"/11" Depth Klik	1
1m, 2k, 3-6	503848	Seat Pan Assm, 11" Wide, 12"/13" Depth Klik	1
1w, 2k, 3-6	503849	Seat Pan Assm, 11" Wide, 14"/15" Depth Klik	1
1w, 2s, 3-6	503850	Seat Pan Assm, 11" Wide, 16" Depth Klik	1
1e, 2e, 3-6	503851	Seat Pan Assm, 12" Wide, 8"/9" Depth Klik	1
1e, 2l, 3-6	503852	Seat Pan Assm, 12" Wide, 10"/11" Depth Klik	1
1n, 2l, 3-6	503853	Seat Pan Assm, 12" Wide, 12"/13" Depth Klik	1
1x, 2l, 3-6	503854	Seat Pan Assm, 12" Wide, 14"/15" Depth Klik	1
1x, 2t, 3-6	503855	Seat Pan Assm, 12" Wide, 16"/17" Depth Klik	1
1f, 2f, 3-6	503856	Seat Pan Assm, 13" Wide, 8"/9" Depth Klik	1
1f, 2m, 3-6	503857	Seat Pan Assm, 13" Wide, 10"/11" Depth Klik	1
1o, 2m, 3-6	503858	Seat Pan Assm, 13" Wide, 12"/13" Depth Klik	1
1y, 2m, 3-6	503859	Seat Pan Assm, 13" Wide, 14"/15" Depth Klik	1
1y, 2u, 3-6	503860	Seat Pan Assm, 13" Wide, 16" - 18" Depth Klik	1
1g, 2g, 3-6	503861	Seat Pan Assm, 14" Wide, 9" Depth Klik	1
1g, 2n, 3-6	503862	Seat Pan Assm, 14" Wide, 10"/11" Depth Klik	1

Item Number	Part Number	Description	Quantity
1p, 2n, 3-6	503863	Seat Pan Assm, 14" Wide, 12"/13" Depth Klik	1
1z, 2n, 3-6	503864	Seat Pan Assm, 14" Wide, 14"/15" Depth Klik	1
1z, 2v, 3-6	503865	Seat Pan Assm, 14" Wide, 16" - 18" Depth Klik	1
1h, 2o, 3-6	503866	Seat Pan Assm, 15" Wide, 10"/11" Depth Klik	1
1q, 2o, 3-6	503867	Seat Pan Assm, 15" Wide, 12"/13" Depth Klik	1
1aa, 2o, 3-6	503868	Seat Pan Assm, 15" Wide, 14"/15" Depth Klik	1
1aa, 2w, 3-6	503869	Seat Pan Assm, 15" Wide, 16" - 18" Depth Klik	1
1i, 2p, 3-6	503870	Seat Pan Assm, 16" Wide, 11" Depth Klik	1
1r, 2p, 3-6	503871	Seat Pan Assm, 16" Wide, 12"/13" Depth Klik	1
1ab, 2p, 3-6	503872	Seat Pan Assm, 16" Wide, 14"/15" Depth Klik	1
1ab, 2x, 3-6	503873	Seat Pan Assm, 16" Wide, 16" - 18" Depth Klik	1
1s, 2q, 3-6	503461	Seat Pan Assm, 17" Wide, 12"/13" Depth Klik	1
1ac, 2q, 3-6	503462	Seat Pan Assm, 17" Wide, 14"/15" Depth Klik	1
1ac, 2y, 3-6	503463	Seat Pan Assm, 17" Wide, 16" - 18" Depth Klik	1
1t, 2r, 3-6	503464	Seat Pan Assm, 18" Wide, 12"/13" Depth Klik	1
1ad, 2r, 3-6	503465	Seat Pan Assm, 18" Wide, 14"/15" Depth Klik	1
1ad, 2z, 3-6	503466	Seat Pan Assm, 18" Wide, 16" - 18" Depth Klik	1
1a	001950	8" Wide 4" Deep Front Seat Pan	1
1b	001951	9" Wide 4" Deep Front Seat Pan	1
1c	001952	10" Wide 4" Deep Front Seat Pan	1
1d	001953	11" Wide 4" Deep Front Seat Pan	1
1e	001954	12" Wide 4" Deep Front Seat Pan	1
1f	001955	13" Wide 4" Deep Front Seat Pan	1
1g	001956	14" Wide 4" Deep Front Seat Pan	1
1h	001957	15" Wide 4" Deep Front Seat Pan	1
1i	001958	16" Wide 4" Deep Front Seat Pan	1
1j	001966	8" Wide 6" Deep Front Seat Pan	1
1k	001967	9" Wide 6" Deep Front Seat Pan	1

Item Number	Part Number	Description	Quantity
1l	001968	10" Wide 6" Deep Front Seat Pan	1
1m	001969	11" Wide 6" Deep Front Seat Pan	1
1n	001970	12" Wide 6" Deep Front Seat Pan	1
1o	001971	13" Wide 6" Deep Front Seat Pan	1
1p	001972	14" Wide 6" Deep Front Seat Pan	1
1q	001973	15" Wide 6" Deep Front Seat Pan	1
1r	001974	16" Wide 6" Deep Front Seat Pan	1
1s	001975	17" Wide 6" Deep Front Seat Pan	1
1t	001976	18" Wide 6" Deep Front Seat Pan	1
1u	001988	9" Wide 8" Deep Front Seat Pan	1
1v	001989	10" Wide 8" Deep Front Seat Pan	1
1w	001990	11" Wide 8" Deep Front Seat Pan	1
1x	001991	12" Wide 8" Deep Front Seat Pan	1
1y	001992	13" Wide 8" Deep Front Seat Pan	1
1z	001993	14" Wide 8" Deep Front Seat Pan	1
1aa	001994	15" Wide 8" Deep Front Seat Pan	1
1ab	001995	16" Wide 8" Deep Front Seat Pan	1
1ac	001996	17" Wide 8" Deep Front Seat Pan	1
1ad	001997	18" Wide 8" Deep Front Seat Pan	1
2a	001959	8" Wide 4" Deep Rear Seat Pan	1
2b	001960	9" Wide 4" Deep Rear Seat Pan	1
2c	001961	10" Wide 4" Deep Rear Seat Pan	1
2d	001962	11" Wide 4" Deep Rear Seat Pan	1
2e	001963	12" Wide 4" Deep Rear Seat Pan	1
2f	001964	13" Wide 4" Deep Rear Seat Pan	1
2g	001965	14" Wide 4" Deep Rear Seat Pan	1
2h	001977	8" Wide 6" Deep Rear Seat Pan	1
2i	001978	9" Wide 6" Deep Rear Seat Pan	1

Item Number	Part Number	Description	Quantity
2j	001979	10" Wide 6" Deep Rear Seat Pan	1
2k	001980	11" Wide 6" Deep Rear Seat Pan	1
2l	001981	12" Wide 6" Deep Rear Seat Pan	1
2m	001982	13" Wide 6" Deep Rear Seat Pan	1
2n	001983	14" Wide 6" Deep Rear Seat Pan	1
2o	001984	15" Wide 6" Deep Rear Seat Pan	1
2p	001985	16" Wide 6" Deep Rear Seat Pan	1
2q	001986	17" Wide 6" Deep Rear Seat Pan	1
2r	001987	18" Wide 6" Deep Rear Seat Pan	1
2s	001998	11" Wide 8" Deep Rear Seat Pan	1
2t	001999	12" Wide 8" Deep Rear Seat Pan	1
2u	002000	13" Wide 8" Deep Rear Seat Pan	1
2v	002001	14" Wide 8" Deep Rear Seat Pan	1
2w	002002	15" Wide 8" Deep Rear Seat Pan	1
2x	002003	16" Wide 8" Deep Rear Seat Pan	1
2y	002004	17" Wide 8" Deep Rear Seat Pan	1
2z	002005	18" Wide 8" Deep Rear Seat Pan	1
3	102632	M6 x 12 CLS 8.8 SQ. Neck Carriage BT BLK ZC	2
4	100658	M6 Nylock Nut Blk Zn	2
5	100734	M5 x 16 PHMS ZC	8
6	002833	AB Tape, Die Cut	4