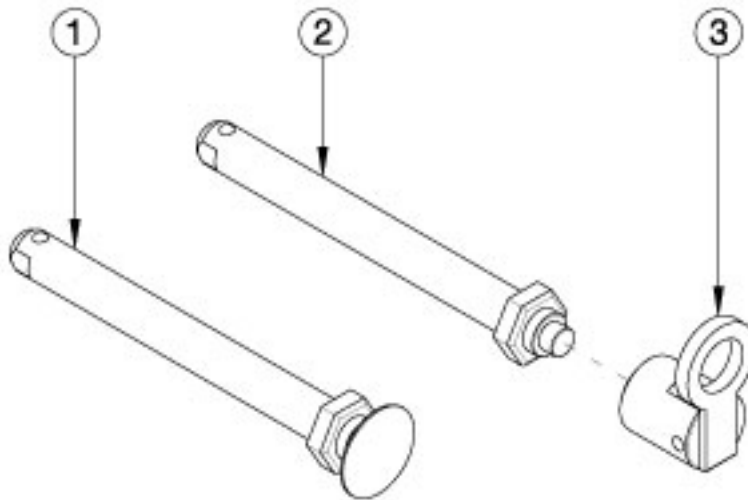


## Rigid Axles



Item Number	Part Number	Description	Quantity
1a	101108	Axle Quick Release w/ Button 1/2" x 99MM	1
1b	101182	Axle Quick Release w/ Button 1/2" x 104MM	1
1c	101191	Axle Quick Release w/ Button 1/2" x 110MM	1
2a, 3	113966	Axle Quick Release 1/2" x 99MM with Quad Quick Release Lever	1
2b, 3	113967	Axle Quick Release 1/2" x 104MM with Quad Quick Release Lever	1
2a	100755	Axle Quick Release 1/2" x 99MM	1
2b	100901	Axle Quick Release 1/2" x 104MM	1
3	100910	Quad Quick Release Lever	1

# Rigid Axle Reference

<b>Quick Release Axles</b>	
<b>Wheel</b>	<b>Receiver</b>
	<b>000985</b>
X Core Mag	101191
MAXX Performance Spoke / Spoke / MAXX Mag / Superlight / Spinergy	101108
Softwheel	101182
Quad Quick Release – MAXX Performance Spoke / Spoke / Superlight	100755
Quad Quick Release – Softwheel	100901

<b>Drum Brake Quick Release Axle</b>	
MAXX Spoke	101108

<b>Axle Part Numbers</b>	
<b>Push Pin Style</b>	<b>Push Button Style</b>
100755 (1/2" x 99mm)	101108 (1/2" x 99mm)
100901 (1/2" x 104mm)	101182 (1/2" x 104mm)
	101191 (1/2" x 110mm)

## **Rigid Axles and Receivers**

To find the appropriate axle, first establish the axle receiver according to the RECEIVERS section and then determine the axle using the AXLES section.

### **RECEIVERS**

*Receiver:* 000985

*Description:* Axle Receiver with Flats M18 x ½" ID

*Used On:* Rogue ALX (Formerly Tsunami), Rogue, Rogue XP, Little Wave, and Klik

### **AXLES**

000985 Receiver

X Core Mag – 101191

MAXX Performance Spoke, Spoke, MAXX Mag, Superlight, Spinergy – 101108

Softwheel – 101182

Quad Quick Release (MAXX Performance Spoke, Spoke, Superlight) – 100755

Quad Quick Release (Softwheel) – 100901

### **Drum Brake**

(Rogue XP, Little Wave, and Klik)

See designated Drum Brake parts manual pages for Drum Brake Rotor / Axle Sleeve information.

Quick Release Axles:

Use 101108

# Quick Release Axle Measuring Guide

**To identify which axle you have:** Set your axle on the printed copy of this page (do not scale when printing) or take the measurement as shown and locate which overall dimension matches that of the axle you have.

**Note:** The overall length is not the same as the "useable length" which is the length used in the part description. Images of all axles are shown below.

