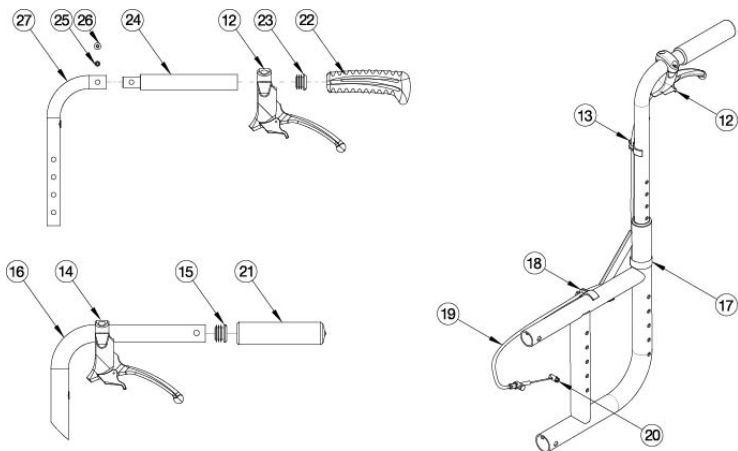


# Catalyst 5 Drum Brake



Cable for Backrest Type						
Backrest Height	Stroller Handle & Standard Back Post	Angle Adjustable	Height Adjustable Depth Adjustable			Caregiver Height Adjustable
			Short	Medium	Tall	
8.5"	3XS					LNG
9.5"	3XS					LNG
10.5"	3XS					LNG
11.5"	3XS					LNG
12.5"	2XS					LNG
13"				SHT		
13.5"	2XS			SHT		LNG
14"		XS		SHT		
14.5"	2XS			SHT		LNG
15"		XS		SHT		
15.5"	2XS			SHT		LNG
16"		XS		SHT	SHT	
16.5"	XS			SHT	SHT	LNG
17"		XS		SHT	SHT	
17.5"	XS			SHT	SHT	LNG
18"		SHT		SHT		
18.5"	XS			SHT		LNG
19"		SHT		SHT		
19.5"	XS			SHT		LNG
20"	SHT	SHT		SHT	MED	
21"	SHT				MED	
22"	SHT				MED	
23"	SHT				MED	
24"	MED				MED	

If changing from another style backrest and the Drum Brake is present, a new Drum Brake Cable Kit may be required For a complete retrofit, quote a drum brake retrofit kit (qty 1), backtube kit (qty 2) and drum brake cable kit (qty 2) If Combo Wheel Lock is present, please see the Catalyst Push and Pull to Lock for complete assembly. Most Drum Brake Retrofit Kits contain two wheels, but do not contain rear tires or handrims. If 24" Pneumatic w/ Airless Insert Tires are needed, please see kit 116568 which includes Pneumatic w/ Airless Insert tires and the inserts but no handrims.

Item Number	Part Number	Description	Quantity
1 - 5, 6a, 6b, 7, 8, 9, 10a, 11, 20	113312	Drum Brake Retrofit Kit 20" MAXX Spoke, Catalyst 5	1
1 - 5, 6a, 6b, 7, 8, 9, 10b, 11, 20	113313	Drum Brake Retrofit Kit 22" MAXX Spoke, Catalyst 5	1
1 - 5, 6a, 6b, 7, 8, 9, 10c, 11, 20	113314	Drum Brake Retrofit Kit 24" MAXX Spoke, Catalyst 5	1

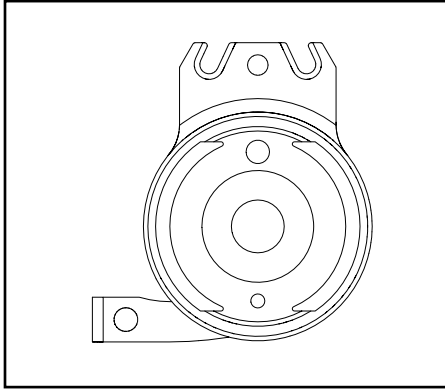
Item Number	Part Number	Description	Quantity
1 - 5, 6a, 6b, 7, 8, 9, 10c, 11, 20	118238	Drum Brake Retrofit Kit 24" MAXX Spoke, Pneumatic w/ Airless Insert Tire (Black), Cat 5 <i>Replaced part number 116568</i>	1
22, 23, 24b, 25b, 26b, 27a	113299	Backtube Straight w/ Push Handle Short with Backcane Extension Catalyst	2
22, 23, 24b, 25b, 26b, 27b	113300	Backtube Straight w/ Push Handle Medium with Backcane Extension, Catalyst	2
22, 23, 24b, 25b, 26b, 27c	113301	Backtube Straight w/ Push Handle Tall with Backcane Extension, Catalyst	2
22, 23, 24b, 25b, 26b, 27d	113302	Backtube 8° Bend w/ Push Handle Medium with Backcane Extension, Catalyst	2
22, 23, 24b, 25b, 26b, 27e	113303	Backtube 8° Bend w/ Push Handle Tall with Backcane Extension Catalyst	2
22, 23, 24b, 25b, 26b, 27f	113304	Backtube Straight Half Folding Back Upper w/ Push Handle Short with Backcane Extension, Catalyst <i>This is just the upper backtube assembly. If the Half Folding Backrest is not already present, you will need this kit along with backrest hinge latch assemblies and lower tube found on the Catalyst Half Folding Backrest page.</i>	2
22, 23, 24b, 25b, 26b, 27g	113305	Backtube Straight Half Folding Back Upper w/ Push Handle Tall with Backcane Extension, Catalyst <i>This is just the upper backtube assembly. If the Half Folding Backrest is not already present, you will need this kit along with backrest hinge latch assemblies and lower tube found on the Catalyst Half Folding Backrest page.</i>	2
22, 23, 24b, 25b, 26b, 27h	113306	Backtube 8° Bend Half Folding Back Upper w/ Push Handle Short with Backcane Extension, Catalyst <i>This is just the upper backtube assembly. If the Half Folding Backrest is not already present, you will need this kit along with backrest hinge latch assemblies and lower tube found on the Catalyst Half Folding Backrest page.</i>	2
22, 23, 24b, 25b, 26b, 27i	113307	Backtube 8° Bend Half Folding Back Upper w/ Push Handle Tall with Backcane Extension, Catalyst <i>This is just the upper backtube assembly. If the Half Folding Backrest is not already present, you will need this kit along with backrest hinge latch assemblies and lower tube found on the Catalyst Half Folding Backrest page.</i>	2
22, 23, 24b, 25b, 26b, 27j	113315	Backtube Angle Adjustable Upper w/ Push Handle Short with Backcane Extension, Catalyst <i>This is just the upper backtube assembly. If the Angle Adjustable Backrest is not already present, you will need this kit along with the Angle Adjustable Back Post Lower Assembly found on the Catalyst Angle Adjustable Backrest page.</i>	2
22, 23, 24b, 25b, 26b, 27k	113308	Backtube Angle Adjustable Upper w/ Push Handle Medium with Backcane Extension, Catalyst <i>This is just the upper backtube assembly. If the Angle Adjustable Backrest is not already present, you will need this kit along with the Angle Adjustable Back Post Lower Assembly found on the Catalyst Angle Adjustable Backrest page.</i>	2
22, 23, 24b, 25b, 26b, 27l	113309	Backtube Angle Adjustable Upper w/ Push Handle Tall with Backcane Extension, Catalyst	2

Item Number	Part Number	Description	Quantity
		<i>This is just the upper backtube assembly. If the Angle Adjustable Backrest is not already present, you will need this kit along with the Angle Adjustable Back Post Lower Assembly found on the Catalyst Angle Adjustable Backrest page.</i>	
22, 23, 24b, 25b, 26b, 27m	122057	Caregiver Height Adjustable Stroller Handle Short Back Tube Drum Brake Kit Pair	1
22, 23, 24b, 25b, 26b, 27n	122058	Caregiver Height Adjustable Stroller Handle Medium Back Tube Drum Brake Kit Pair	1
22, 23, 24b, 25b, 26b, 27o	122059	Caregiver Height Adjustable Stroller Handle Tall Back Tube Drum Brake Kit Pair	1
22, 23, 24b, 25b, 26b, 27p	122060	Caregiver Height Adjustable Stroller Handle assembly with Clamp Drum Brake Single Side <i>Does not include straight with no push handle back tube this part is available on the caregiver push handle backrest page</i>	1
22, 23, 24b, 25b, 26b, 27q	122061	Caregiver Height Adjustable Stroller Handle Drum Brake Single Side <i>Does not include straight with no push handle back tube this part is available on the caregiver push handle backrest page</i>	1
22, 23, 24a, 25a, 26a, 27r	113316	Backtube Depth Adj Height Adj Upper w/ Push Handle Short with Backcane Extension, Catalyst <i>Used on Cat 5. This is just the upper backtube assembly. If the Height Adjustable Straight with Push Handle is not already present, you will need this kit along with retrofitting to the Catalyst Height Adjustable Straight with Push Handle (Depth Adjustable) Backrest (Kit 118429). Also used with the Seating Dynamics Rocker Back for full assembly please visit the Seating Dynamics Rocker Back page.</i>	2
22, 23, 24a, 25a, 26a, 27s	113310	Backtube Depth Adj Height Adj Upper w/ Push Handle Medium with Backcane Extension, Catalyst <i>Used on Cat 5. This is just the upper backtube assembly. If the Height Adjustable Straight with Push Handle is not already present, you will need this kit along with retrofitting to the Catalyst Height Adjustable Straight with Push Handle (Depth Adjustable) Backrest (Kit 118430). Also used with the Seating Dynamics Rocker Back for full assembly please visit the Seating Dynamics Rocker Back page.</i>	2
22, 23, 24a, 25a, 26a, 27t	113311	Backtube Depth Adj Height Adj Upper w/ Push Handle Tall with Backcane Extension, Catalyst <i>Used on Cat 5. This is just the upper backtube assembly. If the Height Adjustable Straight with Push Handle is not already present, you will need this kit along with retrofitting to the Catalyst Height Adjustable Straight with Push Handle (Depth Adjustable) Backrest (Kit 118431). Also used with the Seating Dynamics Rocker Back for full assembly please visit the Seating Dynamics Rocker Back page.</i>	2
14, 15, 16a, 21a	506811	Stroller Handle Back Post with Grip Assembly, Short <i>If chair was invoiced with backrest code 50BOP032, new backcanes are not required to retrofit the drum brake. If chair was invoiced with backrest code 50BOP010, a backrest retrofit to the new Depth Adjustable Back design is required in order to retrofit the drum brake. See Catalyst Stroller Handle Back Post (Depth Adjustable) page. Also used with the Seating Dynamics Rocker Back for full assembly please visit the Seating Dynamics Rocker Back page.</i>	2
14, 15, 16b, 21a	506812	Stroller Handle Back Post with Grip Assembly, Tall	2

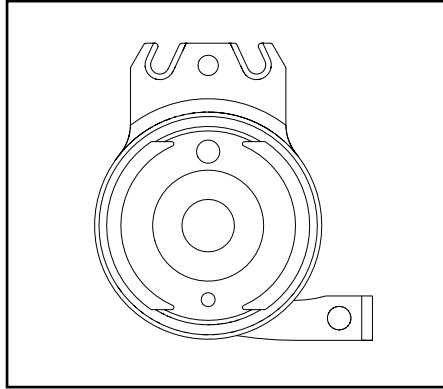
Item Number	Part Number	Description	Quantity
		<i>If chair was invoiced with backrest code 50BOP032, new backcanes are not required to retrofit the drum brake. If chair was invoiced with backrest code 50BOP010, a backrest retrofit to the new Depth Adjustable Back design is required in order to retrofit the drum brake. See Catalyst Stroller Handle Back Post (Depth Adjustable) page. Also used with the Seating Dynamics Rocker Back for full assembly please visit the Seating Dynamics Rocker Back page.</i>	
14, 16c, 21b	112646	Stroller Handle Back Post for Removable Stroller Handle Extension, Short <i>If chair was invoiced with backrest code 50BOP032, new backcanes are not required to retrofit the drum brake. If chair was invoiced with backrest code 50BOP010, a backrest retrofit to the new Depth Adjustable Back design is required in order to retrofit the drum brake. See Catalyst Stroller Handle Back Post with Removable Stroller Handle Extension (Depth Adjustable) page. Also used with the Seating Dynamics Rocker Back for full assembly please visit the Seating Dynamics Rocker Back page.</i>	2
14, 16d, 21b	112647	Stroller Handle Back Post for Removable Stroller Handle Extension, Tall <i>If chair was invoiced with backrest code 50BOP032, new backcanes are not required to retrofit the drum brake. If chair was invoiced with backrest code 50BOP010, a backrest retrofit to the new Depth Adjustable Back design is required in order to retrofit the drum brake. See Catalyst Stroller Handle Back Post with Removable Stroller Handle Extension (Depth Adjustable) page. Also used with the Seating Dynamics Rocker Back for full assembly please visit the Seating Dynamics Rocker Back page.</i>	2
12, 13, 17, 18, 19a, 20	113292	Drum Brake Cable Kit with Brake Lever for 7/8" Tubing, 3XS, Catalyst 5/VX <i>Used with Straight with Push Handle, 8° Bend with Push Handle, Angle Adjustable with Push Handle, Half Folding or Height Adjustable Straight with Push Handle (Depth Adjustable) back posts.</i>	2
12, 13, 17, 18, 19b, 20	113293	Drum Brake Cable Kit with Brake Lever for 7/8" Tubing, 2XS, Catalyst 5/VX <i>Used with Straight with Push Handle, 8° Bend with Push Handle, Angle Adjustable with Push Handle, Half Folding or Height Adjustable Straight with Push Handle (Depth Adjustable) back posts.</i>	2
12, 13, 17, 18, 19c, 20	113294	Drum Brake Cable Kit with Brake Lever for 7/8" Tubing, XS, Catalyst 5/VX <i>Used with Straight with Push Handle, 8° Bend with Push Handle, Angle Adjustable with Push Handle, Half Folding or Height Adjustable Straight with Push Handle (Depth Adjustable) back posts.</i>	2
12, 13, 17, 18, 19d, 20	113295	Drum Brake Cable Kit with Brake Lever for 7/8" Tubing, Short, Catalyst 5/VX <i>Used with Straight with Push Handle, 8° Bend with Push Handle, Angle Adjustable with Push Handle, Half Folding or Height Adjustable Straight with Push Handle (Depth Adjustable) back posts.</i>	2
12, 13, 17, 18, 19e, 20	113296	Drum Brake Cable Kit with Brake Lever for 7/8" Tubing, Medium, Catalyst 5/VX <i>Used with Straight with Push Handle, 8° Bend with Push Handle, Angle Adjustable with Push Handle, Half Folding or Height Adjustable Straight with Push Handle (Depth Adjustable) back posts.</i>	2
14, 17, 18, 19d, 20	113297	Drum Brake Cable Kit with Brake Lever for 1" Tubing, Short, Catalyst 5 <i>Used with Stroller Handle Back Posts (Depth Adjustable)</i>	2
14, 17, 18, 19e, 20	113298	Drum Brake Cable Kit with Brake Lever for 1" Tubing, Medium, Catalyst 5	2

Item Number	Part Number	Description	Quantity
		<i>Used with Stroller Handle Back Posts (Depth Adjustable)</i>	
14, 17, 18, 19f, 20	122062	Drum Brake Cable Kit with Brake Lever for 7/8" Tubing Caregiver Height Adjustable Stroller Handle, Long, Catalyst 5/VX	2
1 - 5, 6a, 6b, 7, 8, 9, 11, 20	113287	Drum Brake Rotor Kit with Hardware PAIR, Catalyst 5	1
1 - 5, 7, 8, 9, 11, 20	113288	Hardware Kit for Drum Brake Rotor PAIR, Catalyst 5	1
1 - 5, 6a, 7, 8, 9, 11, 20	113289	Drum Brake Rotor Kit with Hardware, Side B, Catalyst 5	1
1 - 5, 6b, 7, 8, 9, 11, 20	113290	Drum Brake Rotor Kit with Hardware, Side A, Catalyst 5	1
1 - 5, 7, 8, 9, 11, 20	113291	Hardware Kit for Drum Brake Rotor, One Side, Catalyst 5	1
1	100514	Axle Receiver Nut M18 x D12 x 8mm	1
2	004444	Axle Plate Index Washer	1
3	111642	Axle Sleeve, M18 x 1/2", 64mm	1
4	100658	M6 Nylock Nut Blk Zn	2
7	100746	M6 Flat Washer Blk Zn	4
8	101823	M6 X 20 Hhcs Blk Zn	2
9	111643	Axle Receiver Hex Nut, Drum Brake	1
10a	111731	Wheel 20" MAXX Spoke, Drum Brake	2
10b	111732	Wheel 22" MAXX Spoke, Drum Brake	2
10c	111733	Wheel 24" MAXX Spoke, Drum Brake	2
10d	118358	24" Spoke for Drum Brake, Pneumatic w/ Airless Insert Tire (Black) <i>Replaced part number 117432. Does not include the handrim. Quote handrim hardware if needed.</i>	2
11	101191	Axle Quick Release w/ Button 1/2" x 110MM	2
12	111735	Brake Lever, Lock, Ang, 22mm <i>Used with Straight with Push Handle, 8° Bend with Push Handle, Angle Adjustable with Push Handle, Half Folding and Height Adjustable Straight with Push Handle (Depth Adjustable) back posts.</i>	2
13	001118	Cable Clip 7/8" <i>Not used with Stroller Handle Back Posts (Depth Adjustable)</i>	2
14	002673	Brake Lever, Lock, Ang, 25mm <i>Used with Stroller Handle Back Posts (Depth Adjustable)</i>	2
17	111806	Cable Tie, 8"	2

Item Number	Part Number	Description	Quantity
18	001117	Cable Clip 1" <i>Use quantity 2 when Straight with Push Handle, 8° Bend with Push Handle, Angle Adjustable with Push Handle, Half Folding and Height Adjustable Straight with Push Handle (Depth Adjustable) back posts are present. Use quantity 4 when Stroller Handle Back Posts (Depth Adjustable) are present.</i>	2
19a, 20	122737	Drum Brake / Hemi Wheel Lock 3XS Cable	2
19b, 20	122731	Drum Brake / Hemi Wheel Lock 2XS Cable	2
19c, 20	122732	Drum Brake / Hemi Wheel Lock XS Cable	2
19d, 20	122726	Drum Brake / Hemi Wheel Lock Short Cable	2
19e, 20	122727	Drum Brake / Hemi Wheel Lock Medium Cable	2
19f, 20	122728	Drum Brake / Hemi Wheel Lock Long Cable <i>Used for Caregiver Height Adjustable Stroller Handles</i>	2
20	111598	Pinch Bolt	2



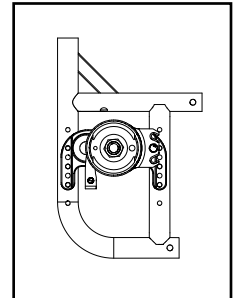
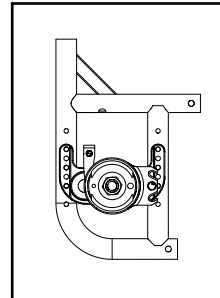
**Rotor A** - Part No. 111641



**Rotor B** - Part No. 111640

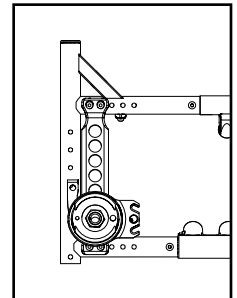
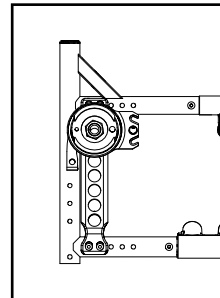
<b>Catalyst 5</b>		
Configuration	Left	Right
Axle plate curve up	B	A
Axle plate curve down	A	B

Left: Axle Plate Curve Up  
Right: Axle Plate Curve Down

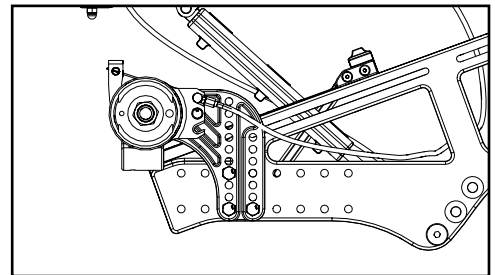


<b>Catalyst 5VX</b>		
Configuration	Left	Right
Axle Position holes 1-5 (top)	A	B
Axle Position holes 6-7 (bottom)	B	A

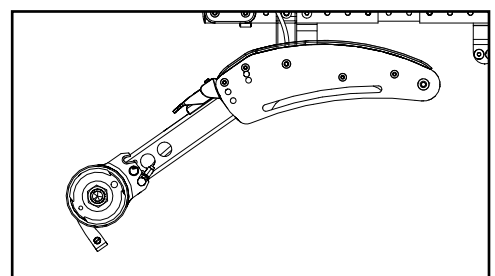
Left: Axle Position Top  
Right: Axle Position Bottom



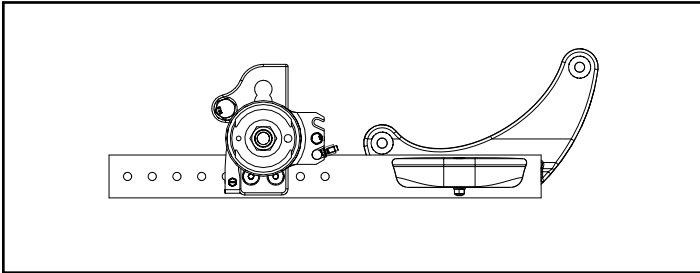
<b>Liberty</b>		
Configuration	Left	Right
All	B	A



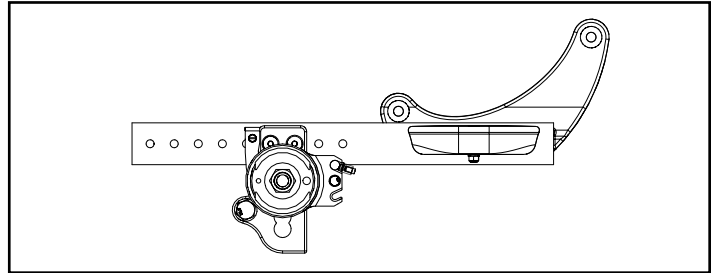
<b>Flip</b>		
Configuration	Left	Right
All	A	B



<b>Focus</b>		
<b>Configuration</b>	<b>Left</b>	<b>Right</b>
Standard (mounts above base frame)	A	B
Inverted (mounts below base frame)	B	A

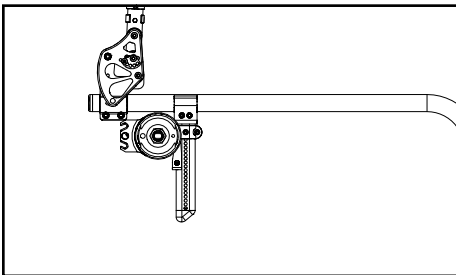


Standard Configuration

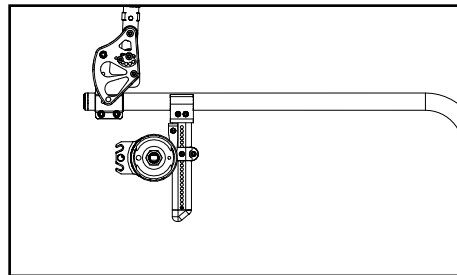


Inverted Configuration

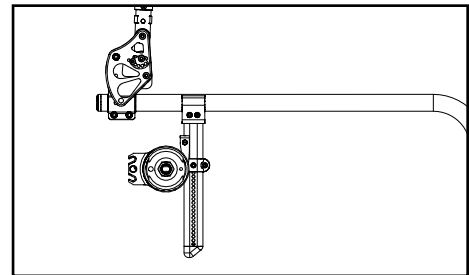
<b>Rigid</b>		
<b>Configuration</b>	<b>Left</b>	<b>Right</b>
Tower 000925 - upper holes (14 or more exposed below clamp)	B	A
Tower 000925 - lower holes (13 or fewer holes exposed below clamp)	A	B
Tower 000926 (all hole locations)	A	B



Tower 000925 - Upper Holes



Tower 000925 - Lower Holes



Tower 000926 - All Holes

<b>Arc</b>		
<b>Configuration</b>	<b>Left</b>	<b>Right</b>
All	B	A

