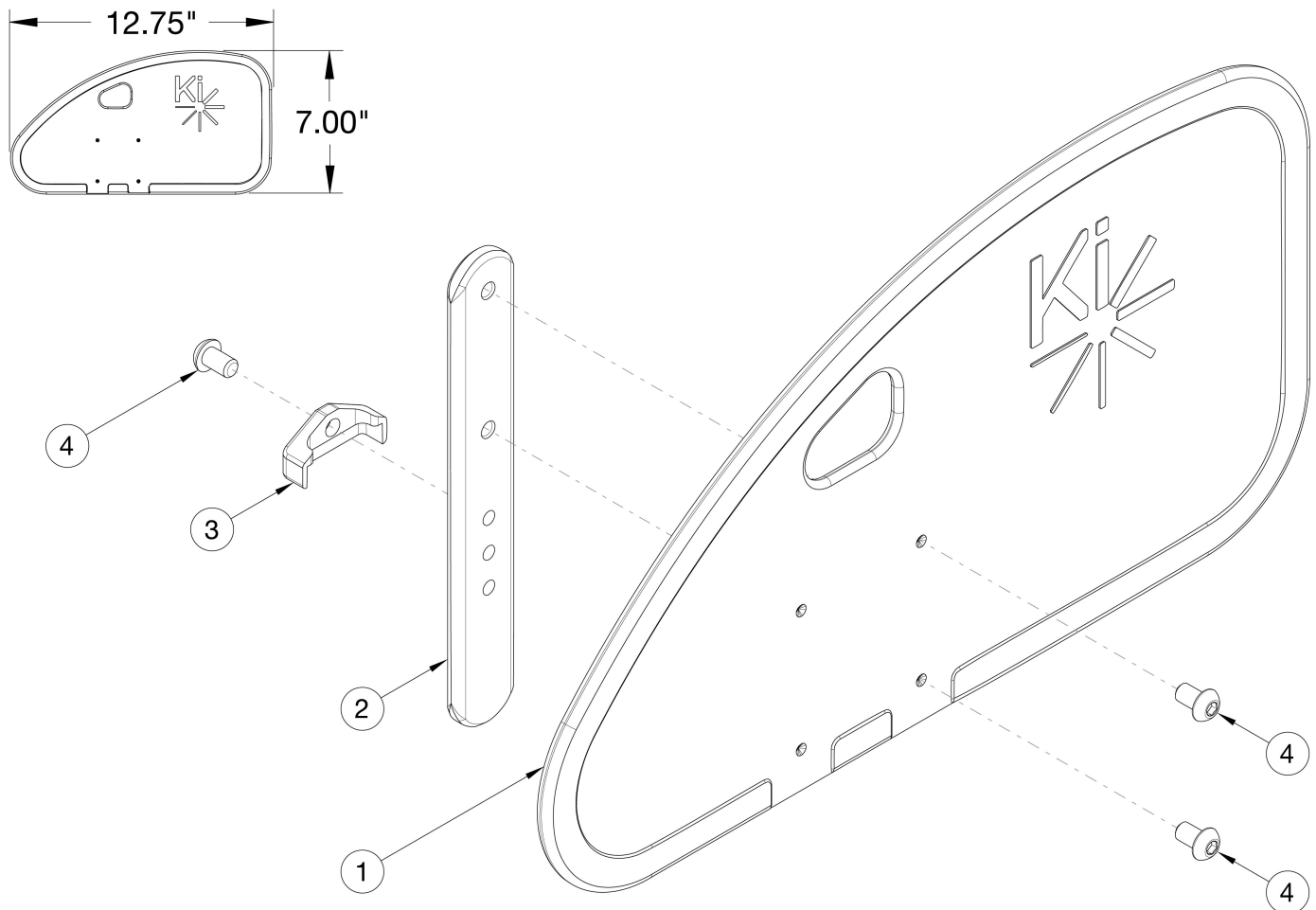


CR45 Removable Adult Composite Side Guard



| Item Number | Part Number | Description | Quantity |
|-------------|-------------|---|----------|
| 1 - 4 | 112578 | Side Guard Assembly, Rear Drilled, Left <i>Used on all configurations of tilt chairs.</i> | 1 |
| 1 - 4 | 112579 | Side Guard Assembly, Rear Drilled, Right <i>Used on all configurations of tilt chairs.</i> | 1 |
| 1 - 4 | 112580 | Side Guard Assembly, Rear Drilled, PAIR <i>Used on all configurations of tilt chairs.</i> | 1 |
| 1 | 112574 | Side Guard Panel Rear Drilled | 1 |
| 2 | 000140 | Side Guard Post | 1 |
| 3 | 001342 | Side Guard Post Stop | 1 |
| 4 | 101184 | M6 x 10 BTN SHCS BLKZC w/Patch | 3 |