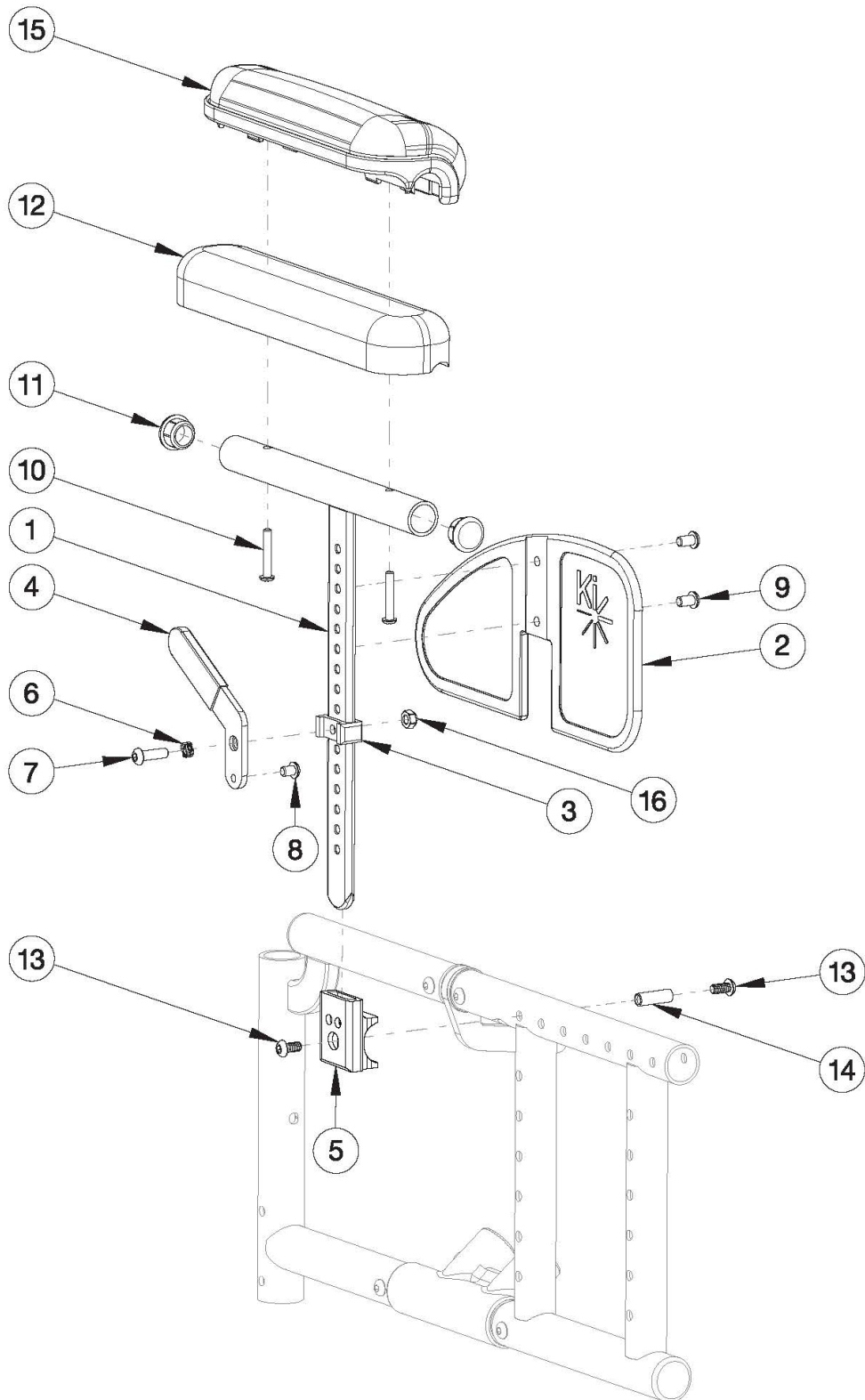


Spark Pediatric Height Adjustable T-Arm



If retrofitting, Receivers are needed.

Item Number	Part Number	Description	Quantity
1-3, 4a, 6-9, 10a, 11, 12, 16	500605	Armrest Pediatric T-Arm Assembly Left Standard Desk Arm Pad LW, Klik, Spark	1
1-3, 4b, 6-9, 10a, 11, 12, 16	500606	Armrest Pediatric T-Arm Assembly Right Standard Desk Arm Pad LW, Klik, Spark	1
1-3, 4a, 4b, 6-9, 10a, 11, 12, 16	500992	Armrest Pediatric T-Arm Assembly Standard Desk Arm Pad Pair LW, Klik, Spark	1
1-3, 4a, 6-9, 10b, 11, 15, 16	112607	Armrest Pediatric T-Arm Assembly Left Waterfall Desk Arm Pad LW, Klik, Spark	1
1-3, 4b, 6-9, 10b, 11, 15, 16	112608	Armrest Pediatric T-Arm Assembly Right Waterfall Desk Arm Pad LW, Klik, Spark	1
1-3, 4a, 4b, 6-9, 10b, 11, 15, 16	112609	Armrest Pediatric T-Arm Assembly Waterfall Desk Arm Pad Pair LW, Klik, Spark	1
1-3, 4a, 5-9, 10a, 11-14, 16	120049	Armrest Pediatric T-Arm Assembly Left Standard Desk Arm Pad with Receiver Spark	1
1-3, 4b, 5-9, 10a, 11-14, 16	120050	Armrest Pediatric T-Arm Assembly Right Standard Desk Arm Pad with Receiver Spark	1
1-3, 4a, 4b, 5-9, 10a, 11-14, 16	120051	Armrest Pediatric T-Arm Assembly Standard Desk Arm Pad Pair with Receiver Spark	1
1-3, 4a, 5-9, 10b, 11-16	120052	Armrest Pediatric T-Arm Assembly Left Waterfall Desk Arm Pad with Receiver Spark	1
1-3, 4b, 5-9, 10b, 11-16	120053	Armrest Pediatric T-Arm Assembly Right Waterfall Desk Arm Pad with Receiver Spark	1
1-3, 4a, 4b, 5-9, 10b, 11-16	120054	Armrest Pediatric T-Arm Assembly Waterfall Desk Arm Pad Pair with Receiver Spark	1
5, 13, 14	120059	Pediatric T Arm Receiver Kit Spark <i>Contains parts for one side</i>	1
1, 11	501392	Pediatric T Arm Post	1
2	503881	Pediatric T Arm Panel w/Ki Logo	1
3	501395	Pediatric T Arm Bracket	1
4a	501396	Pediatric T Arm Lever Left	1
4b	501397	Pediatric T Arm Lever Right	1
5	001414	Receiver 1" Dia. w/ Chamfer Black Anodized Catalyst/ Focus <i>This design effective December 7th, 2020</i>	1
6	101088	Wave Spring - 1/4 id x 3/8 od	1
7	101593	M6 x 25 BTN SHCS BLKZC	1
8	101702	M6 x 6 BTN SHCS ZC	1
9	101184	M6 x 10 BTN SHCS BLKZC w/Patch	2
10a	100696	M5 x 30mm PPH Capscrew	2

Item Number	Part Number	Description	Quantity
		<i>Used with Standard Arm Pad</i>	
10b	100654	M5 x 40 DIN7985 PH Pan HD M/S ZC <i>Used with Waterfall Arm Pad</i>	2
11	100803	Tube End Plug 7/8"	2
12	100501	Arm Pad Desk	1
13	100667	M6 x 12 BTN SHCS BLKZC w/Patch	1
14	000065	M6 x 23.68 Threaded Barrel	1
15	102521	Waterfall Arm Pad Desk	1
16	101456	M6 Ovl Top L/N ZC	1