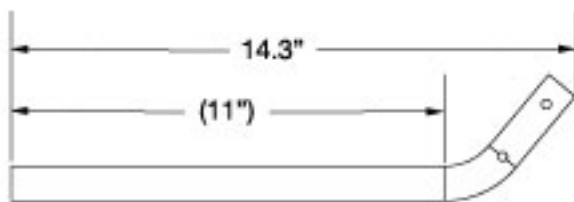
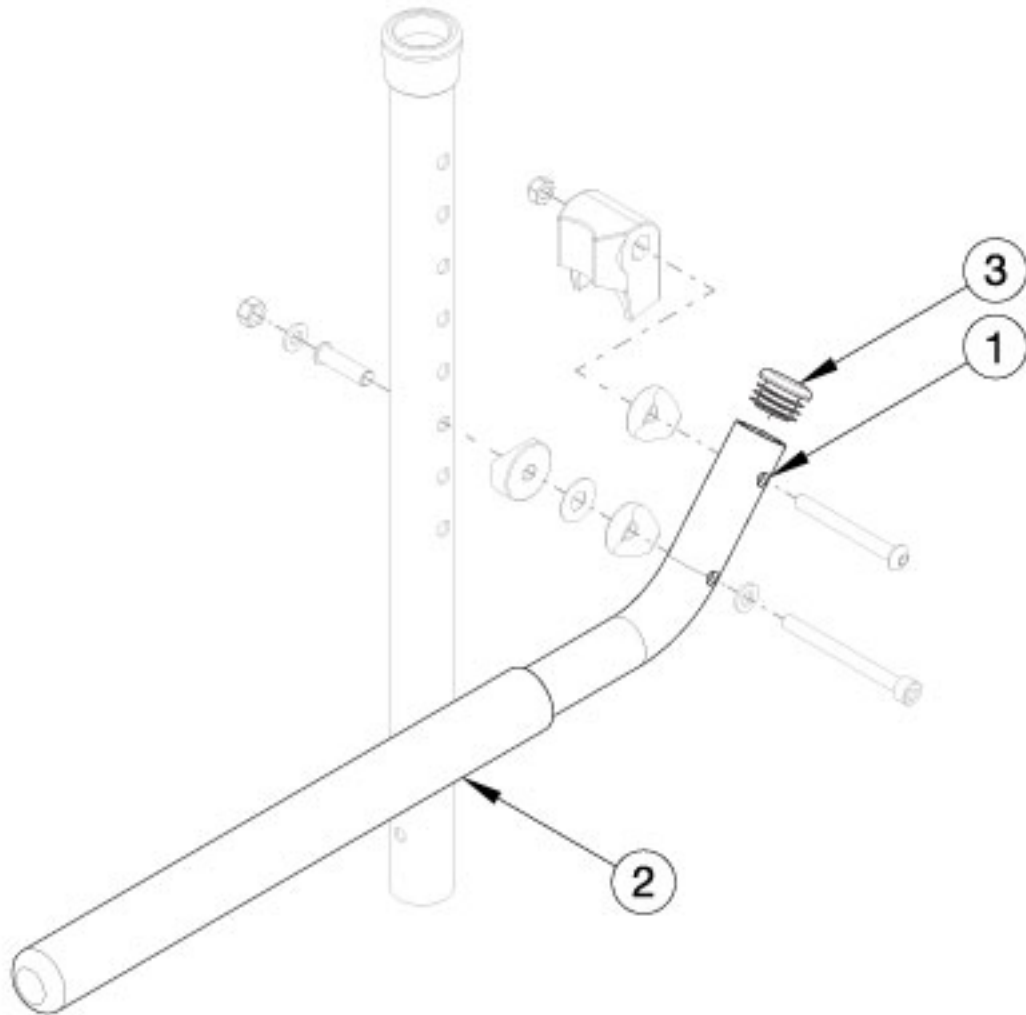
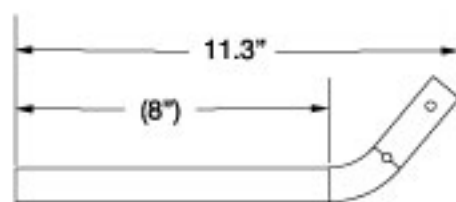


Arc Tubular flip Up Armrest - Growth



Standard Flip Up Armrest



Short Flip Up Armrest

Item Number	Part Number	Description	Quantity
1a, 2, 6	501250	Tubular Flip Up Armrest Tube Assembly	1
1b, 2, 6	501251	Tubular Flip Up Armrest Tube Assembly Short <i>Used if chair depth is 14" or less and Therafin Tray is not present</i>	1