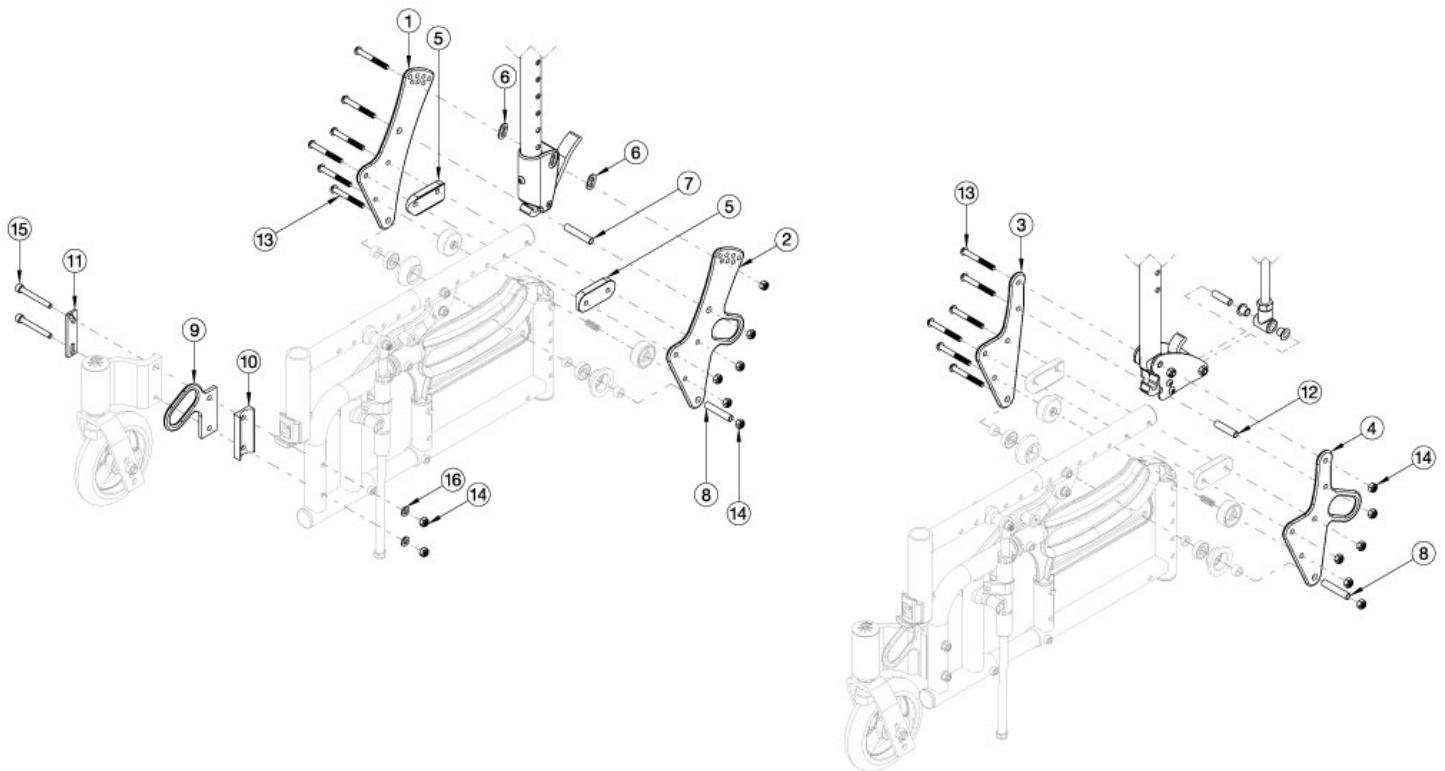


Arc Transit



Notice: Chair configuration review required prior to parts being quoted or ordered. Retrofit and hardware kits are quantity EACH. Quantity 2 is required for both the left and right side.

Item Number	Part Number	Description	Quantity
1, 2, 9-11, 14-16	113177	Transit Retrofit Kit, Arc <i>Used with all backrests except reclining</i>	2
3, 4, 9-11, 14-16	113178	Transit Retrofit Kit, Reclining, Arc	2
1, 2, 5-8, 13, 14	113179	Backrest Hardware Kit, Arc <i>Used with all backrests except reclining</i>	2
3, 4, 8, 12-14	113180	Backrest Hardware Kit, Reclining, Arc	2
1	110190	Back Plate, Bearing Guide, Standard <i>Used with all backrests except reclining</i>	1
2	113181	Transit Back Plate, Standard, Arc <i>Used with all backrests except reclining</i>	1
3	110242	Back Plate, Recline	1
4	113182	Transit Back Plate, Reclining, Arc	1
5	002595	Saddle, Dual, 1" OD X 1.5 SP	2

Item Number	Part Number	Description	Quantity
6	001897	Washer, Dual, PSA	2
7	002738	Spacer .313 OD x .243 ID x 1.68 long	1
8	001075	Stop Pin Backrest Tilt	1
10	110204	Saddle, Caster Mount	1
11	110199	Caster Adjuster	1
12	110245	Spacer, .313ODx.243IDx1.290LG, SS	1
13	101781	M6 x 50mm Partial Thread BHCS Blk ZC	6
14	100658	M6 Nylock Nut Blk Zn	1
15	100739	M6 X 55 SHCS CLS 12.96 DIN912 BLKZC	2
16	100746	M6 Flat Washer Blk Zn	2