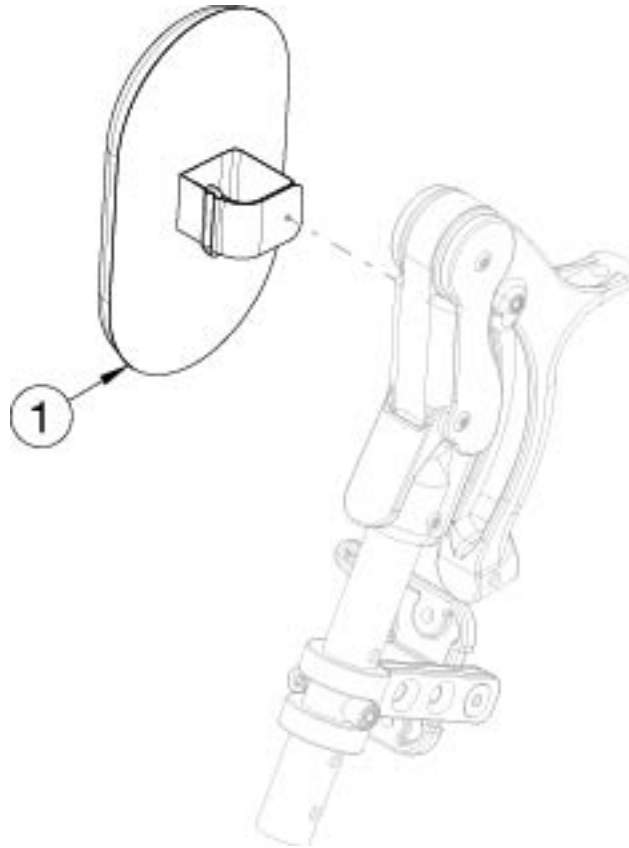


# Standard ELR Foam Knee Pad

---



Item Number	Part Number	Description	Quantity
1	122781	Standard ELR Foam Knee Pad	2