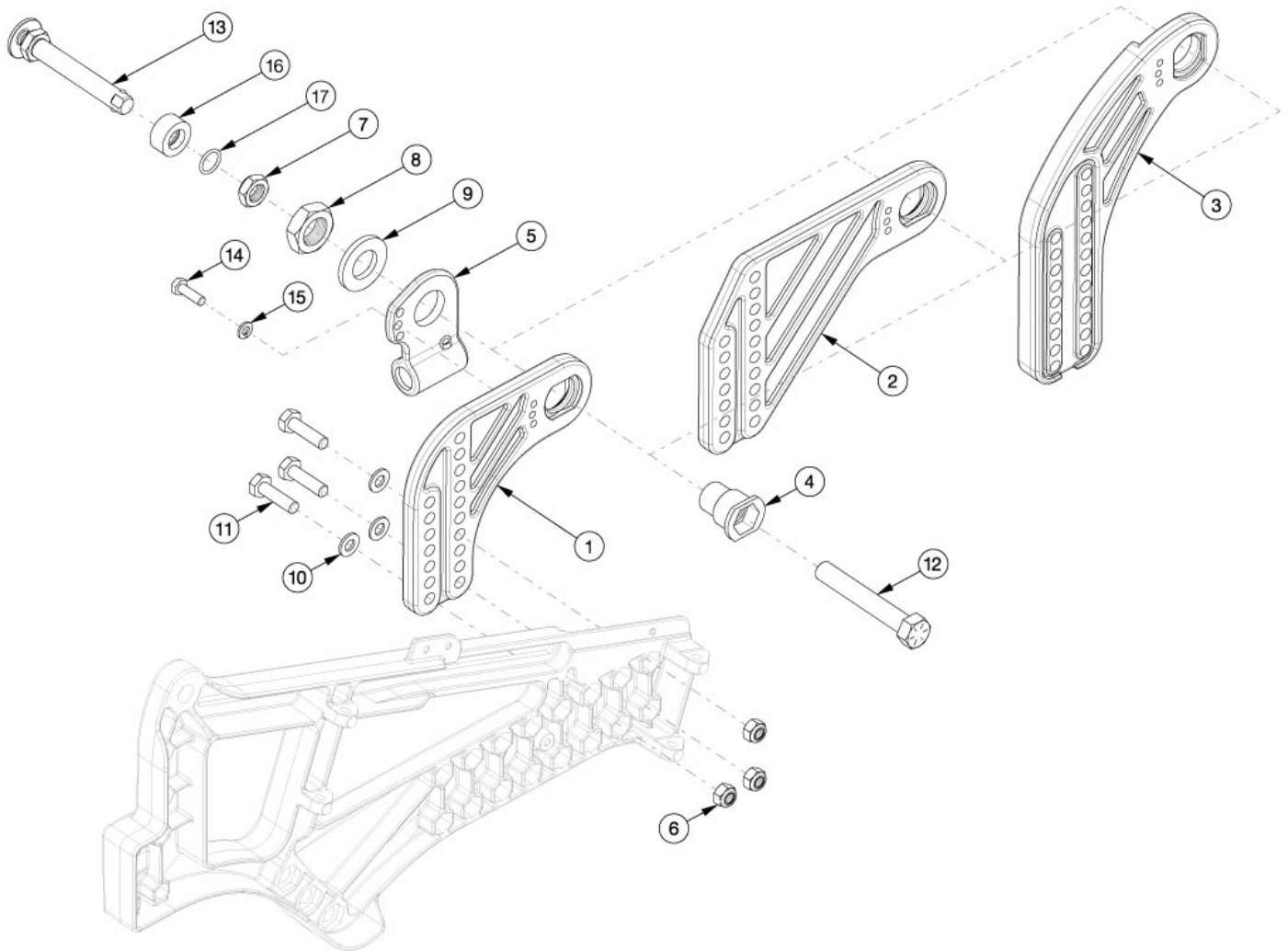


# Liberty Axle Plate



Effective 2/8/2023: axle receiver part number 003300 has been replaced with 115908. If changing from 003300 to 115908 a new washer and nut are needed.

Item Number	Part Number	Description	Quantity
3a, 4-6, 8a, 9a, 10, 11b, 14, 15	506159	Standard Axle Plate Kit, Right, Liberty	1
3b, 4-6, 8a, 9a, 10, 11b, 14, 15	506160	Standard Axle Plate Kit, Left, Liberty	1
3a, 3b, 4-6, 8a, 9a, 10, 11b, 14, 15	109741	Standard Axle Plate Kit, PAIR, Liberty	1
1, 4-6, 8a, 9a, 10, 11a, 14, 15	506161	High Axle Plate Kit, Each, Liberty	1
1, 4-6, 8a, 9a, 10, 11a, 14, 15	109742	High Axle Plate Kit, PAIR, Liberty	1
2, 4-6, 8a, 9a, 10, 11a, 14, 15	109743	Extended Axle Plate Kit, PAIR, Liberty	1

Item Number	Part Number	Description	Quantity
2, 4-6, 8a, 9a, 10, 11a, 14, 15	506162	Extended Axle Plate Kit, Each, Liberty	1
1	003296	Axle Plate, High, Liberty <i>Reference the Axle Plate Utilization by Seat Height Chart. Used on Seat Depths 14"-18"</i>	1
2	003297	Axle Plate, Extended, Liberty <i>Reference the Axle Plate Utilization by Seat Height Chart. Used on Seat Depths 19"-20"</i>	1
3a	003298	Axle Plate, Standard, Right, Liberty <i>Reference the Axle Plate Utilization by Seat Height Chart</i>	1
3b	003299	Axle Plate, Standard, Left, Liberty <i>Reference the Axle Plate Utilization by Seat Height Chart</i>	1
4	115908	Axle Receiver, Ext. Threads, M20 x 1.5, Liberty <i>Used with All Wheels.</i>	1
5	003332	Receiver, Anti-Tip	1
6	100659	M8 Nylock Nut Blk Zn	3
7	101459	1/2-20 NTE JAM NYL INS L/N BLK ZC	1
8a	101836	Nut M20 x 1.5 Thin Blk Zn <i>Used with the previous 003300 Axle Receiver</i>	1
8b	115932	M20 x 1.5 BLZ Jam Nut <i>Used with the 115908 Axle Receiver</i>	1
9a	101855	Washer 3/4 SAE G8 Blk Zn <i>Used with the previous 003300 Axle Receiver</i>	1
9b	111852	Washer, Flat, 3/4", CS, BLZ <i>Used with the 115908 Axle Receiver</i>	1
10	101858	Washer Flat M8 Blk Zn	3
11a	103030	M8 x 30 HHCS, Blk Zn <i>Used with the High and Extended Axle Plate</i>	3
11b	103385	M8 x 35 HHCS Blk Zn <i>Used with the Standard Axle Plate</i>	3
12a	103035	Fixed Axle 1/2-20 x 3.25 HHCS, G8, Blk Zn <i>Used with 12" and 16" Mag, MAXX Performance Spoke, and MAXX Mag Wheels</i>	1
12b	103036	Fixed Axle 1/2-20 x 3.75 HHCS, G8, BLK Zn <i>Used with all other X-Core Mag and discontinued Ki Spoke Wheels. Prior to 2/19/2021, was also used with MAXX Performance Spoke wheels. Used with the new spoke wheel effective 2/27/2023.</i>	1

Item Number	Part Number	Description	Quantity
13a	103039	Axle Quick Release w/ Button 73mm <i>Used with 12" and 16" Mag, MAXX Performance Spoke, and MAXX Mag Wheels</i>	1
13b	103119	Axle Quick Release w/ Button 82mm <i>Used with all other X-Core Mag, SoftWheels, and discontinued Ki Spoke Wheels. Prior to 2/19/2021, was also used with MAXX Performance Spoke wheels. Used with the new spoke wheel effective 2/27/2023.</i>	1
14	101823	M6 X 20 Hhcs Blk Zn	1
15	101835	M6 Lock Washer Blk Zn	1
16, 17	506326	Axle Spacer Kit <i>Used when quick release axles, Maxx Mag wheels, and the Hemi Wheel Lock are present.</i>	1

## Liberty Axle Plate Utilization by Seat Height

Rear Wheel Size / Tire Profile	High / Extended Axle Plate *	Standard Axle Plate
12" / Low Profile	13" - 18.5"	N/A
12" / Full Profile	13" - 19"	N/A
16" / Low Profile	13.5" - 20"	N/A
16" / Full Profile	14.5" - 20"	N/A
20" / Low Profile	16" - 20"	13" - 16.5"
20" / Full Profile	16.5" - 20"	13" - 17"
22" / Low Profile	17" - 20"	13.5" - 17.5"
22" / Full Profile	17.5" - 20"	14" - 18"
24" / Low Profile	17.5" - 20"	14.5" - 18.5"
24" / Full Profile	18.5" - 20"	15" - 19"
*Use High Axle Plate on 14"-18" Seat Depths. Use Extended Axle Plate on 19 -20" Seat Depths.		