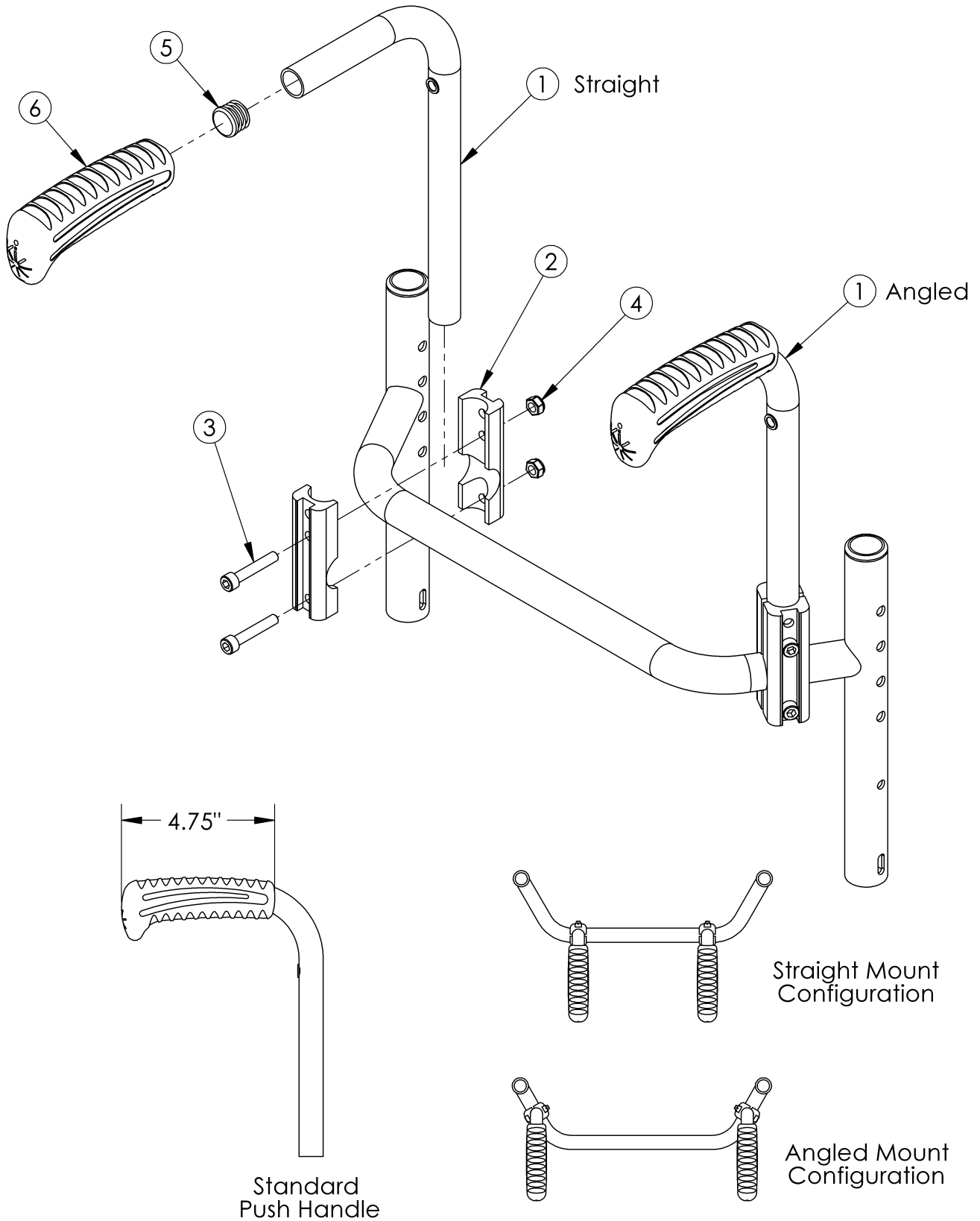


Rigid Bolt-On Push Handle



Angle Drilled Bolt-On Push Handles are used on chairs less than 20" wide. Straight Drilled Bolt-On Push Handles are used on chairs 20" wide or larger. If an Axiom Back is present on the chair, the Straight Drilled Bolt-On Push Handles are required. Assembly numbers 501450 - 501467 contain one Bolt-On Push Handle assembly. If ordering for chair equipped with Drum Brake, refer to Drum Brake page as extended cable length may be required if relocating Drum Brake handles.

Item Number	Part Number	Description	Quantity
1a, 5, 6	102458	Bolt-On Push Handle Tube Angle Drilled, Back Height 9/10/11", Left	1
1b, 5, 6	102459	Bolt-On Push Handle Tube Angle Drilled, Back Height 12/13", Left	1
1c, 5, 6	102460	Bolt-On Push Handle Tube Angle Drilled, Back Height 14/15", Left	1
1d, 5, 6	102461	Bolt-On Push Handle Tube Angle Drilled, Back Height 16/17", Left	1
1e, 5, 6	102462	Bolt-On Push Handle Tube Angle Drilled, Back Height 18/19", Left	1
1f, 5, 6	102463	Bolt-On Push Handle Tube Angle Drilled, Back Height 20", Left	1
1g, 5, 6	102464	Bolt-On Push Handle Tube Angle Drilled, Back Height 9/10/11", Right	1
1h, 5, 6	102465	Bolt-On Push Handle Tube Angle Drilled, Back Height, 12/13", Right	1
1i, 5, 6	102466	Bolt-On Push Handle Tube Angle Drilled, Back Height 14/15", Right	1
1j, 5, 6	102467	Bolt-On Push Handle Tube Angle Drilled, Back Height 16/17", Right	1
1k, 5, 6	102468	Bolt-On Push Handle Tube Angle Drilled, Back Height 18/19", Right	1
1l, 5, 6	102507	Bolt-On Push Handle Tube Angle Drilled, Back Height 20", Right	1
1m, 5, 6	102508	Bolt-On Push Handle Tube Straight Drilled, Back Height 9/10/11"	2
1n, 5, 6	102509	Bolt-On Push Handle Tube Straight Drilled, Back Height 12/13"	2
1o, 5, 6	102510	Bolt-On Push Handle Tube Straight Drilled, Back Height 14/15"	2
1p, 5, 6	102511	Bolt-On Push Handle Tube Straight Drilled, Back Height 16/17"	2
1q, 5, 6	102512	Bolt-On Push Handle Tube Straight Drilled, Back Height 18/19"	2
1r, 5, 6	102513	Bolt-On Push Handle Tube Straight Drilled, Back Height 20"	2
2	000916	Push Handle Clamp	4
3	101810	M6 x 35 SHCS BLK ZC	4
4	100658	M6 Nylock Nut Blk Zn	4
5	100638	Tube End Plug 3/4"	1
6	109432	Ergo Push Handle Grip 3/4" Standard with Instruction	1
1a, 2 - 6	501450	Bolt-On Push Handle Assm Angle Drilled, Back Height 10/11", Left	1

Item Number	Part Number	Description	Quantity
1b, 2 - 6	501451	Bolt-On Push Handle Assm Angle Drilled, Back Height 12/13", Left	1
1c, 2 - 6	501452	Bolt-On Push Handle Assm Angle Drilled, Back Height 14/15", Left	1
1d, 2 - 6	501453	Bolt-On Push Handle Assm Angle Drilled, Back Height 16/17", Left	1
1e, 2 - 6	501454	Bolt-On Push Handle Assm Angle Drilled, Back Height 18/19", Left	1
1f, 2 - 6	501455	Bolt-On Push Handle Assm Angle Drilled, Back Height 20", Left	1
1g, 2 - 6	501456	Bolt-On Push Handle Assm Angle Drilled, Back Height 10/11", Right	1
1h, 2 - 6	501457	Bolt-On Push Handle Assm Angle Drilled, Back Height 12/13", Right	1
1i, 2 - 6	501458	Bolt-On Push Handle Assm Angle Drilled, Back Height 14/15", Right	1
1j, 2 - 6	501459	Bolt-On Push Handle Assm Angle Drilled, Back Height 16/17", Right	1
1k, 2 - 6	501460	Bolt-On Push Handle Assm Angle Drilled, Back Height 18/19", Right	1
1l, 2 - 6	501461	Bolt-On Push Handle Assm Angle Drilled, Back Height 20", Right	1
1m, 2 - 6	501462	Bolt-On Push Handle Assm Straight Drilled, Back Height 10/11"	1
1n, 2 - 6	501463	Bolt-On Push Handle Assm Straight Drilled, Back Height 12/13"	1
1o, 2 - 6	501464	Bolt-On Push Handle Assm Straight Drilled, Back Height 14/15"	1
1p, 2 - 6	501465	Bolt-On Push Handle Assm Straight Drilled, Back Height 16/17"	1
1q, 2 - 6	501466	Bolt-On Push Handle Assm Straight Drilled, Back Height 18/19"	1
1r, 2 - 6	501467	Bolt-On Push Handle Assm Straight Drilled, Back Height 20"	1