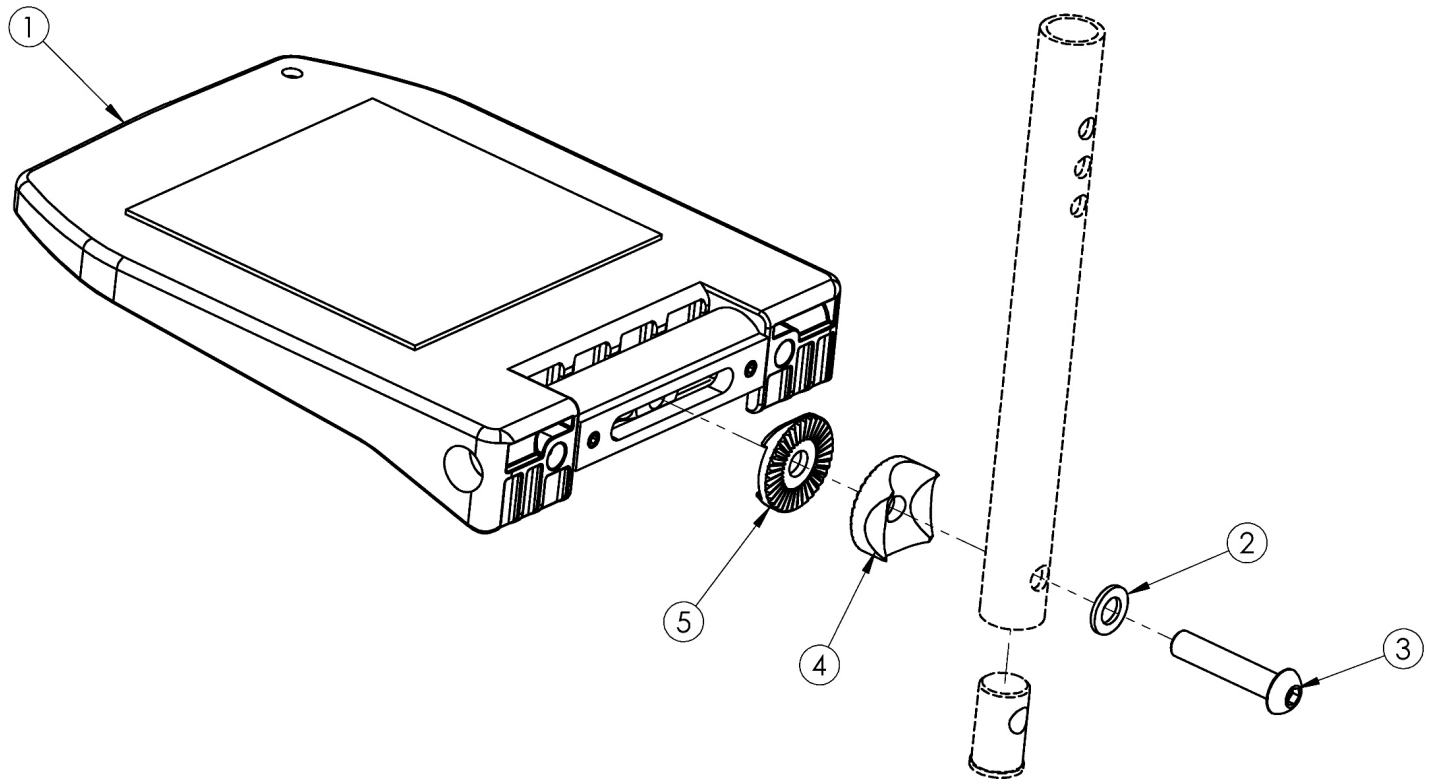


## Catalyst / Liberty Composite Angle Adjustable Footplate



Part #	Used on Chair Widths	Size
003173	15"-16"	6.3" x 6.3"
003174	17"-18"	7.1" x 6.3"
003175	19"-22"	8.1" x 6.3"

If changing to Composite Angle Adjustable Footplates, new extension tubes are required. Only compatible with extension tube hangers.

Item Number	Part Number	Description	Quantity
2 - 6	503726	Extension Tube Hardware Assembly for Composite Angle Adjustable Footplate <i>Includes extension tube plug</i>	1
1a	003173	Composite Angle Adjustable Footplate Small 15-16" Wide	1
1b	003174	Composite Angle Adjustable Footplate Medium 17-18" Wide	1
1c	003175	Composite Angle Adjustable Footplate Large 19-24" Wide	1
2	003188	Washer D8.4 x 1.6 MM	1
3	003189	Bolt M8 x 45MM, Galvanized Steel	1
4	003187	Locking Wheel w/Radius, R12.5 & R10, D30 x 11.3, Cast Steel, Black	1

<b>Item Number</b>	<b>Part Number</b>	<b>Description</b>	<b>Quantity</b>
5	003186	Locking Wheel w/Hexagon, D30 x 6.8/6, Cast Steel, Black	1
6	003161	Footplate Plug for Composite Angle Adjustable Footplate Extension Tube	1