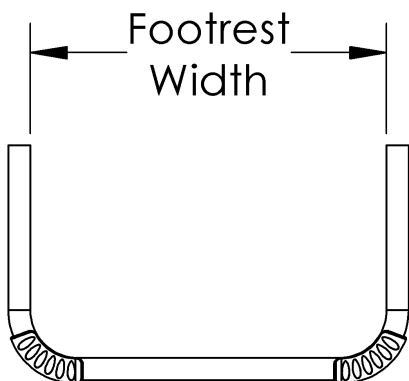
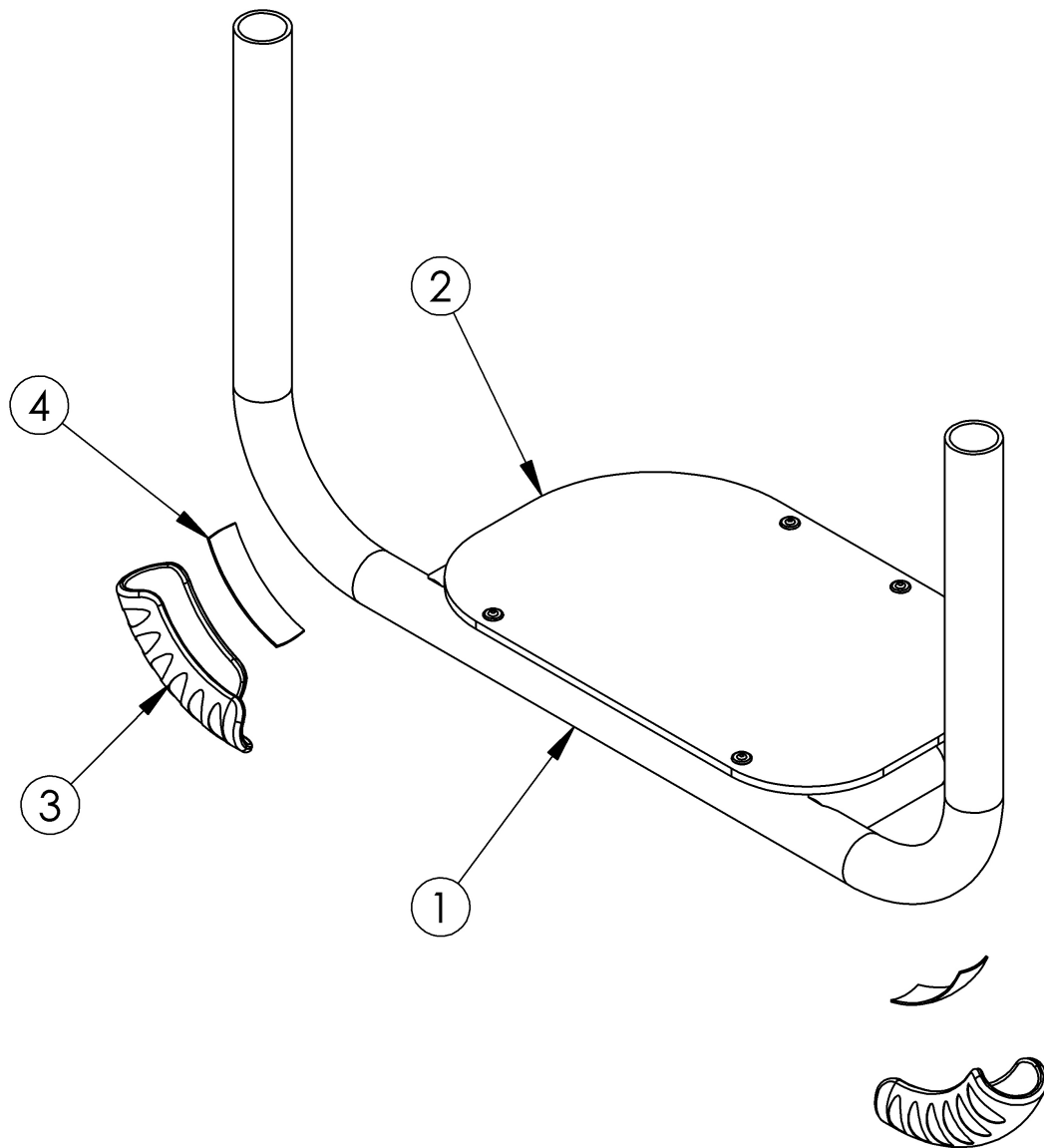


# Ethos Tubular Footrest with ABS Cover



12" Rigid	10.1"
13" Rigid	11.1"
14" Rigid	12.1"
15" Rigid	13.1"
16" Rigid	14.1"
17" Rigid	15.1"
18" Rigid	16.1"

Use Short Footrest if 0" taper and footrest length is 9" - 10.5" or if 1" or 2" taper and footrest length is 9" - 15.5" See Ethos Seat Frame page for hardware to attach footrest tubes to chair.

Item Number	Part Number	Description	Quantity
1a, 2a	108123	Tubular Footrest w/ ABS Cover Assembly 12" Non-Tapered <i>Used on 12" wide with 0" taper</i>	1
1b, 2a	108124	Tubular Footrest w/ ABS Cover Assembly 13" Non-Tapered <i>Used on 13" wide with 0" taper</i>	1
1c, 2a	108125	Tubular Footrest w/ ABS Cover Assembly 14" Non-Tapered <i>Used on 14" wide with 0" taper</i>	1
1d, 2b	108126	Tubular Footrest w/ ABS Cover Assembly 15" Non-Tapered <i>Used on 15" wide with 0" taper</i>	1
1e, 2b	108127	Tubular Footrest w/ ABS Cover Assembly 16" Non-Tapered <i>Used on 16" wide with 0" taper</i>	1
1f, 2c	108128	Tubular Footrest w/ ABS Cover Assembly 17" Non-Tapered <i>Used on 17" wide with 0" taper</i>	1
1g, 2c	108129	Tubular Footrest w/ ABS Cover Assembly 18" Non-Tapered <i>Used on 18" wide with 0" taper</i>	1
1h, 2a	108130	Tubular Footrest w/ ABS Cover Assembly 12" Non-Tapered, Short <i>Used on 12" wide with 0" taper</i>	1
1i, 2a	108131	Tubular Footrest w/ ABS Cover Assembly 13" Non-Tapered, Short <i>Used on 13" wide with 0" taper</i>	1
1j, 2a	108132	Tubular Footrest w/ ABS Cover Assembly 14" Non-Tapered, Short <i>Used on 14" wide with 0" taper</i>	1
1k, 2b	108133	Tubular Footrest w/ ABS Cover Assembly 15" Non-Tapered, Short <i>Used on 15" wide with 0" taper</i>	1
1l, 2b	108134	Tubular Footrest w/ ABS Cover Assembly 16" Non-Tapered, Short <i>Used on 16" wide with 0" taper</i>	1
1m, 2c	108135	Tubular Footrest w/ ABS Cover Assembly 17" Non-Tapered, Short <i>Used on 17" wide with 0" taper</i>	1
1n, 2c	108136	Tubular Footrest w/ ABS Cover Assembly 18" Non-Tapered, Short <i>Used on 18" wide with 0" taper</i>	1
1o, 2a	502311	Tubular Footrest w/ ABS Cover Assembly 12" Rigid <i>Used on 14" wide with 1" taper and 16" wide with 2" taper</i>	1
1p, 2a	502312	Tubular Footrest w/ ABS Cover Assembly 13" Rigid <i>Used on 15" wide with 1" taper and 17" wide with 2" taper</i>	1
1q, 2a	502313	Tubular Footrest w/ ABS Cover Assembly 14" Rigid <i>Used on 16" wide with 1" taper and 18" wide with 2" taper</i>	1

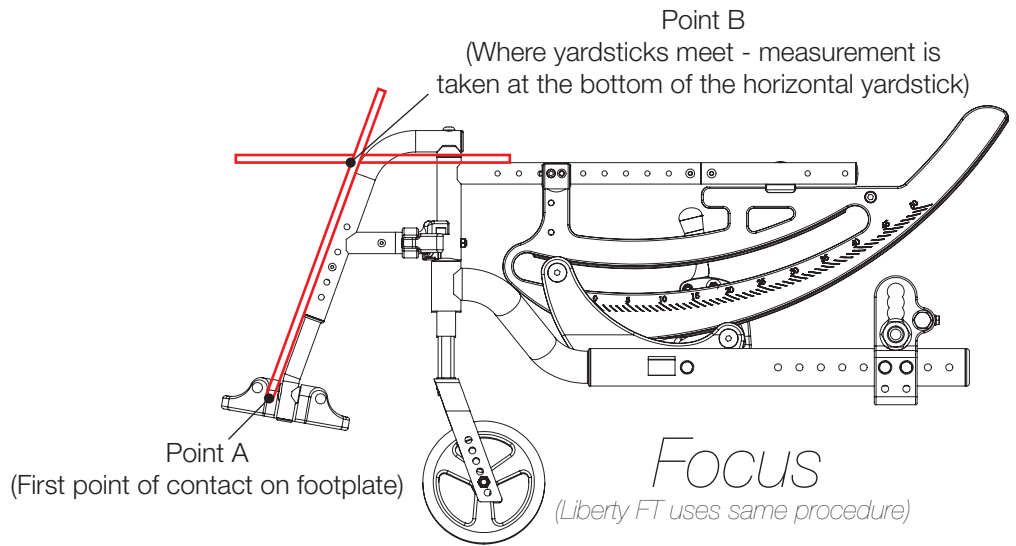
Item Number	Part Number	Description	Quantity
1r, 2b	502314	Tubular Footrest w/ ABS Cover Assembly 15" Rigid <i>Used on 17" wide with 1" taper and 19" wide with 2" taper</i>	1
1s, 2b	502315	Tubular Footrest w/ ABS Cover Assembly 16" Rigid <i>Used on 18" wide with 1" taper and 20" wide with 2" taper</i>	1
1t, 2c	502316	Tubular Footrest w/ ABS Cover Assembly 17" Rigid <i>Used on 19" wide with 1" taper</i>	1
1u, 2c	502317	Tubular Footrest w/ ABS Cover Assembly 18" Rigid <i>Used on 20" wide with 1" taper</i>	1
1v, 2a	108137	Tubular Footrest w/ ABS Cover Assembly 12" Rigid, Short <i>Used on 14" wide with 1" taper and 16" wide with 2" taper</i>	1
1w, 2a	108138	Tubular Footrest w/ ABS Cover Assembly 13" Rigid, Short <i>Used on 15" wide with 1" taper and 17" wide with 2" taper</i>	1
1x, 2a	108139	Tubular Footrest w/ ABS Cover Assembly 14" Rigid, Short <i>Used on 16" wide with 1" taper and 18" wide with 2" taper</i>	1
1y, 2b	108140	Tubular Footrest w/ ABS Cover Assembly 15" Rigid, Short <i>Used on 17" wide with 1" taper and 19" wide with 2" taper</i>	1
1z, 2b	108141	Tubular Footrest w/ ABS Cover Assembly 16" Rigid, Short <i>Used on 18" wide with 1" taper and 20" wide with 2" taper</i>	1
1aa, 2c	108142	Tubular Footrest w/ ABS Cover Assembly 17" Rigid, Short <i>Used on 19" wide with 1" taper</i>	1
1ab, 2c	108143	Tubular Footrest w/ ABS Cover Assembly 18" Rigid, Short <i>Used on 20" wide with 1" taper</i>	1
3, 4	501739	Footrest Protector w/ Instructions Kit Left Rigid	1
3, 4	501740	Footrest Protector w/ Instructions Kit Right Rigid	1
3, 4	501741	Footrest Protector w/ Instructions Kit PAIR Rigid	1
1a	004206	12" Open Loop Non-Tapered Footrest <i>Used on 12" wide with 0" taper</i>	1
1b	004207	13" Open Loop Non-Tapered Footrest <i>Used on 13" wide with 0" taper</i>	1
1c	004208	14" Open Loop Non-Tapered Footrest <i>Used on 14" wide with 0" taper</i>	1
1d	004209	15" Open Loop Non-Tapered Footrest <i>Used on 15" wide with 0" taper</i>	1
1e	004210	16" Open Loop Non-Tapered Footrest <i>Used on 16" wide with 0" taper</i>	1

Item Number	Part Number	Description	Quantity
1f	004211	17" Open Loop Non-Tapered Footrest <i>Used on 17" wide with 0" taper</i>	1
1g	004212	18" Open Loop Non-Tapered Footrest <i>Used on 18" wide with 0" taper</i>	1
1h	004376	12" Open Loop Non-Tapered Footrest, Short <i>Used on 12" wide with 0" taper</i>	1
1i	004377	13" Open Loop Non-Tapered Footrest, Short <i>Used on 13" wide with 0" taper</i>	1
1j	004378	14" Open Loop Non-Tapered Footrest, Short <i>Used on 14" wide with 0" taper</i>	1
1k	004379	15" Open Loop Non-Tapered Footrest, Short <i>Used on 15" wide with 0" taper</i>	1
1l	004380	16" Open Loop Non-Tapered Footrest, Short <i>Used on 16" wide with 0" taper</i>	1
1m	004381	17" Open Loop Non-Tapered Footrest, Short <i>Used on 17" wide with 0" taper</i>	1
1n	004382	18" Open Loop Non-Tapered Footrest, Short <i>Used on 18" wide with 0" taper</i>	1
1o	000214	Footrest Tubular 12" Rigid <i>Used on 14" wide with 1" taper and 16" wide with 2" taper</i>	1
1p	000215	Footrest Tubular 13" Rigid <i>Used on 15" wide with 1" taper and 17" wide with 2" taper</i>	1
1q	000216	Footrest Tubular 14" Rigid <i>Used on 16" wide with 1" taper and 18" wide with 2" taper</i>	1
1r	000217	Footrest Tubular 15" Rigid <i>Used on 17" wide with 1" taper and 19" wide with 2" taper</i>	1
1s	000218	Footrest Tubular 16" Rigid <i>Used on 18" wide with 1" taper and 20" wide with 2" taper</i>	1
1t	000219	Footrest Tubular 17" Rigid <i>Used on 19" wide with 1" taper</i>	1
1u	000220	Footrest Tubular 18" Rigid <i>Used on 20" wide with 1" taper</i>	1
1v	004385	12" Footrest Tubular, Short <i>Used on 14" wide with 1" taper and 16" wide with 2" taper</i>	1
1w	004386	13" Footrest Tubular, Short <i>Used on 15" wide with 1" taper and 17" wide with 2" taper</i>	1

Item Number	Part Number	Description	Quantity
1x	004387	14" Footrest Tubular, Short <i>Used on 16" wide with 1" taper and 18" wide with 2" taper</i>	1
1y	004388	15" Footrest Tubular, Short <i>Used on 17" wide with 1" taper and 19" wide with 2" taper</i>	1
1z	004389	16" Footrest Tubular, Short <i>Used on 18" wide with 1" taper and 20" wide with 2" taper</i>	1
1aa	004390	17" Footrest Tubular, Short <i>Used on 19" wide with 1" taper</i>	1
1ab	004391	18" Footrest Tubular, Short <i>Used on 20" wide with 1" taper</i>	1

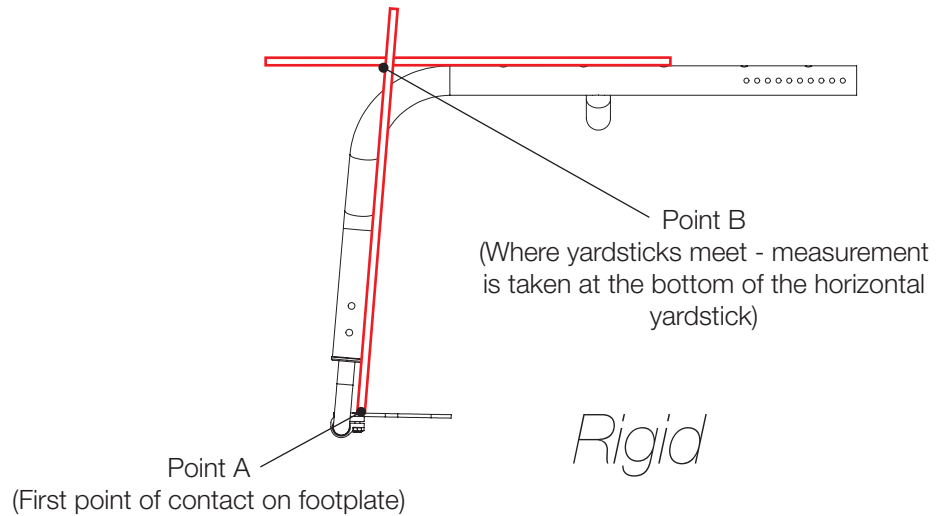
Distance between Point A and Point B = Footplate Length

**NOTE:** The yardstick on the top plane of the seat frame must lie flat against frame. The yardstick going from the footplate to the second yardstick must be square against the hanger tube.



Distance between Point A and Point B = Footplate Length

**NOTE:** The yardstick on the top plane of the seat frame must lie flat against frame. The yardstick going from the footplate to the second yardstick must be square against the front tube.



Distance between Point A and Point B = Footplate Length

**NOTE:** The yardstick on the top plane of the hanger must lie flat against hanger. The yardstick going from the footplate to the second yardstick must be square against the hanger tube.

