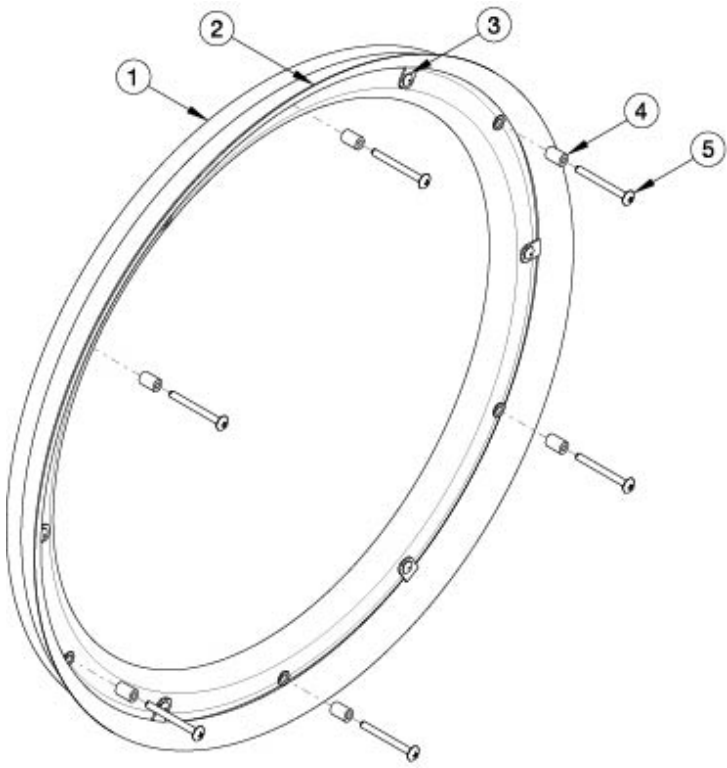
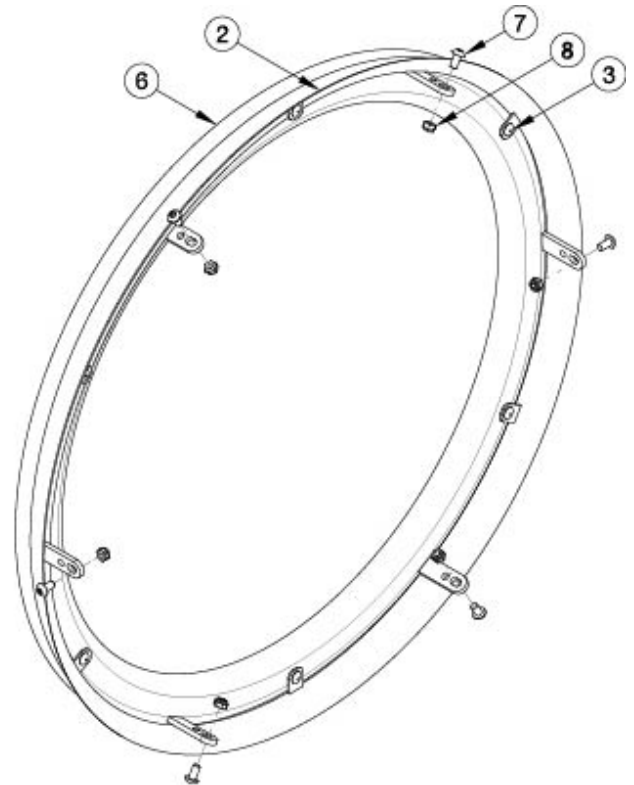


# Ergonomic Handrim



MAXX Spoke or MAXX Mag



Spinergy or Superlight Spoke

For more information, see Handrim Hardware Chart. Quantity in Handrim Hardware Kits are for one wheel.

Item Number	Part Number	Description	Quantity
1a, 2a, 3	119022	Ergonomic Handrim Standard Regular Thumb Grip 6 Rivet NUT 22" <i>Used on 22" Ki Spoke, 22" MAXX Spoke, 22" Spoke, and 22" MAXX Mag</i>	1
1a, 2a, 3, 9	120070	Ergonomic Handrim Standard Regular Thumb Grip 6 Rivet NUT 22" w/ Micro Grip <i>Used on 22" Ki Spoke, 22" MAXX Spoke, 22" Spoke, and 22" MAXX Mag. Micro Grip is not show in diagram.</i>	1
1a, 2b, 3	119023	Ergonomic Handrim Standard Extra Thumb Grip 6 Rivet NUT 22" <i>Used on 22" Ki Spoke, 22" MAXX Spoke, 22" Spoke, and 22" MAXX Mag</i>	1
1a, 2b, 3, 9	122979	Ergonomic Handrim Standard Extra Thumb Grip 6 Rivet 22" w/ Micro Grip <i>Used on 22" Ki Spoke, 22" MAXX Spoke, 22" Spoke, and 22" MAXX Mag</i>	1
1b, 2a, 3	119024	Ergonomic Handrim Lite Regular Thumb Grip 6 Rivet NUT 22" <i>Used on 22" Ki Spoke, 22" MAXX Spoke, 22" Spoke, and 22" MAXX Mag</i>	1
1b, 2a, 3, 9	120071	Ergonomic Handrim Lite Regular Thumb Grip 6 Rivet NUT 22" w/ Micro Grip <i>Used on 22" Ki Spoke, 22" MAXX Spoke, 22" Spoke, and 22" MAXX Mag. Micro Grip is not show in diagram.</i>	1

Item Number	Part Number	Description	Quantity
1b, 2b, 3	119025	Ergonomic Handrim Lite Extra Thumb Grip 6 Rivet NUT 22" <i>Used on 22" Ki Spoke, 22" MAXX Spoke, 22" Spoke, and 22" MAXX Mag</i>	1
1c, 2c, 3	119026	Ergonomic Handrim Standard Regular Thumb Grip 6 Rivet NUT 24" <i>Used on 24" Ki Spoke, 24" MAXX Spoke, 24" Spoke, and 24" MAXX Mag</i>	1
1c, 2c, 3, 9	120072	Ergonomic Handrim Standard Regular Thumb Grip 6 Rivet NUT 24" w/ Micro Grip <i>Used on 24" Ki Spoke, 24" MAXX Spoke, 24" Spoke, and 24" MAXX Mag. Micro Grip is not show in diagram.</i>	1
1c, 2d, 3	119027	Ergonomic Handrim Standard Extra Thumb Grip 6 Rivet NUT 24" <i>Used on 24" Ki Spoke, 24" MAXX Spoke, 24" Spoke, and 24" MAXX Mag</i>	1
1c, 2d, 3, 9	120073	Ergonomic Handrim Standard Extra Thumb Grip 6 Rivet NUT 24" w/ Micro Grip <i>Used on 24" Ki Spoke, 24" MAXX Spoke, 24" Spoke, and 24" MAXX Mag. Micro Grip is not show in diagram.</i>	1
1d, 2c, 3	119028	Ergonomic Handrim Lite Regular Thumb Grip 6 Rivet NUT 24" <i>Used on 24" Ki Spoke, 24" MAXX Spoke, 24" Spoke, and 24" MAXX Mag</i>	1
1d, 2c, 3, 9	120074	Ergonomic Handrim Lite Regular Thumb Grip 6 Rivet NUT 24" w/ Micro Grip <i>Used on 24" Ki Spoke, 24" MAXX Spoke, 24" Spoke, and 24" MAXX Mag. Micro Grip is not show in diagram.</i>	1
1d, 2d, 3	119029	Ergonomic Handrim Lite Extra Thumb Grip 6 Rivet NUT 24" <i>Used on 24" Ki Spoke, 24" MAXX Spoke, 24" Spoke, and 24" MAXX Mag</i>	1
1d, 2d, 3, 9	120075	Ergonomic Handrim Lite Extra Thumb Grip 6 Rivet NUT 24" w/ Micro Grip <i>Used on 24" Ki Spoke, 24" MAXX Spoke, 24" Spoke, and 24" MAXX Mag. Micro Grip is not show in diagram.</i>	1
1e, 2e, 3	119030	Ergonomic Handrim Standard Regular Thumb Grip 6 Rivet NUT 25" <i>Used on 25" Ki Spoke and 25" MAXX Spoke</i>	1
1e, 2f, 3	119031	Ergonomic Handrim Standard Extra Thumb Grip 6 Rivet NUT 25" <i>Used on 25" Ki Spoke and 25" MAXX Spoke</i>	1
1f, 2e, 3	119032	Ergonomic Handrim Lite Regular Thumb Grip 6 Rivet NUT 25" <i>Used on 25" Ki Spoke and 25" MAXX Spoke</i>	1
1f, 2e, 3, 9	120076	Ergonomic Handrim Lite Regular Thumb Grip 6 Rivet NUT 25" w/ Micro Grip <i>Used on 25" Ki Spoke and 25" MAXX Spoke. Micro Grip is not show in diagram.</i>	1
1f, 2f, 3	119033	Ergonomic Handrim Lite Extra Thumb Grip 6 Rivet NUT 25" <i>Used on 25" Ki Spoke and 25" MAXX Spoke</i>	1
1f, 2f, 3, 9	120077	Ergonomic Handrim Lite Extra Thumb Grip 6 Rivet NUT 25" w/ Micro Grip <i>Used on 25" Ki Spoke and 25" MAXX Spoke. Micro Grip is not show in diagram.</i>	1
2c, 3, 6a	119034	Ergonomic Handrim Standard Regular Thumb Grip 6 Tab 24"	1

Item Number	Part Number	Description	Quantity
		<i>Used on 24" Spinergy/Superlight/Topolino</i>	
2c, 3, 6a, 9	120080	Ergonomic Handrim Standard Regular Thumb Grip Tab 24" w/ Micro Grip <i>Used on 24" Spinergy/Superlight/Topolino</i>	1
2d, 3, 6a	119035	Ergonomic Handrim Standard Extra Thumb Grip 6 Tab 24" <i>Used on 24" Spinergy/Superlight/Topolino</i>	1
2d, 3, 6a, 9	120081	Ergonomic Handrim Standard Extra Thumb Grip Tab 24" w/ Micro Grip <i>Used on 24" Spinergy/Superlight/Topolino</i>	1
2c, 3, 6b	119036	Ergonomic Handrim Lite Regular Thumb Grip 6 Tab 24" <i>Used on 24" Spinergy/Superlight/Topolino</i>	1
2c, 3, 6b, 9	120314	Ergonomic Handrim Lite Regular Thumb Grip 6 Tab 24" w/ Micro Grip <i>Used on 24" Spinergy/Superlight/Topolino</i>	1
2d, 3, 6b	119037	Ergonomic Handrim Lite Extra Thumb Grip 6 Tab 24" <i>Used on 24" Spinergy/Superlight/Topolino</i>	1
2d, 3, 6b, 9	120315	Ergonomic Handrim Lite Extra Thumb Grip 6 Tab 24" w/Micro Grip <i>Used on 24" Spinergy/Superlight/Topolino</i>	1
4a, 5a, 6	119039	Spoke Ergonomic Handrim Hardware Kit 6 Rivet Nut w/ Handrim Tabs <i>Tabs are not shown in diagram</i>	1
4a, 5a	119042	Spoke Ergonomic Handrim Hardware Kit 6 Rivet Nut	1
4b, 5b	119040	Maxx Mag Ergonomic Handrim Hardware Kit 6 Rivet Nut	1
7, 8	120611	6 Tab Ergonomic Handrim Hardware Kit <i>Used with Spinergy and Topolino Wheel</i>	1
10	120610	Superlight Ergonomic Handrim Hardware Kit <i>Hardware is not shown in diagram</i>	1
1a	113082	Ergonomic Standard Handrim 6 Rivet Nut 22" <i>Used on 22" Ki Spoke, 22" MAXX Spoke, 22" Spoke, and 22" MAXX Mag</i>	1
1b	113085	Ergonomic Lite Handrim 6 Rivet Nut 22" <i>Used on 22" Ki Spoke, 22" MAXX Spoke, 22" Spoke, and 22" MAXX Mag</i>	1
1c	113083	Ergonomic Standard Handrim 6 Rivet Nut 24" <i>Used on 24" Ki Spoke, 24" MAXX Spoke, 24" Spoke, and 24" MAXX Mag</i>	1
1d	113086	Ergonomic Lite Handrim 6 Rivet Nut 24" <i>Used on 24" Ki Spoke, 24" MAXX Spoke, 24" Spoke, and 24" MAXX Mag</i>	1
1e	113084	Ergonomic Standard Handrim 6 Rivet Nut 25" <i>Used on 25" Ki Spoke and 25" MAXX Spoke</i>	1

Item Number	Part Number	Description	Quantity
1f	113087	Ergonomic Lite Handrim 6 Rivet Nut 25" <i>Used on 25" Ki Spoke and 25" MAXX Spoke</i>	1
4a	100653	Handrim Spacer Spoke <i>Used with Ki Spoke and Maxx Spoke</i>	6
4b	101756	Handrim Spacer Plastic Coated Rivet <i>Used with Maxx Magg</i>	6
5a	122063	PHMS, M5x0.8x40, CLS4.8, PHL, BLZ, NYL, DIN7985, Custom <i>Used with Ki Spoke and Maxx Spoke</i>	6
5b	122064	PHMS, M5x0.8x50, CLS4.8, PHL, BLZ, NYL, DIN7985, Custom <i>Used with Maxx Magg</i>	6
6a	113080	Ergonomic Standard Handrim 6 Tab 24" <i>Used on 24" Spinergy/Superlight/Topolino</i>	1
6b	113081	Ergonomic Lite Handrim 6 Tab 24" <i>Used on 24" Spinergy/Superlight/Topolino</i>	1
7	100669	M5 x 10 BTN SHCS BLKZC w/Patch <i>Used on Spinergy/Topolino</i>	6
8	100657	M5 Nylock Nut Blk Zn <i>Used on Spinergy/Topolino</i>	6
10	100536	M5 x 12 BTN SHCS ZC <i>Used on Superlight</i>	6
11	100698	Handrim Tab <i>Used with Ki Spoke and Maxx Spoke. Tabs are not shown in diagram.</i>	6

### Handrim Hardware Chart

Wheel		Handrim Connection				Handrim										
Wheel	Wheel Part No.	Connection Points	Rivet/Tab	Spacer*	Screw*	Aluminum Anodized	Superlight	Plastic Coated	Projection	Ergonomic Standard	Ergonomic LT	Natural Fit Standard	Natural Fit LT	Flex Rim		
22" Spoke	116730	5 or 6	116732 (Used with 5 Rivet) 100698 (Used with 6 Rivet)	100653 (Not used w/ Superlight Handrim)	Aluminum, Plastic Ctd, Projection Ergonomic: 122063 Natural Fit: 100835	101898 (5 Rivet)		101964 (5 Rivet)	112824 (6 Rivet)	113082 (6 Rivet)	113085 (6 Rivet)	200538 (6 Rivet)	200201 (6 Rivet)			
24" Spoke	116728	5 or 6	Not used w/ Superlight Handrims		Superlight: 100669 Nut: 100657	100975 (5 Rivet)	101161 (6 Tab)	100976 (5 Rivet)	112825 (6 Rivet)	113083 (6 Rivet)	113086 (6 Rivet)	100793 (6 Rivet)	200202 (6 Rivet)			
18" MAXX Spoke	109285	3	100698 (Not used w/ Superlight Handrim)	100653 (Not used w/ Superlight Handrim)	Aluminum, Plastic Ctd, Projection, Ergonomic: 122063 Natural Fit: 100835 Superlight: 100669 Nut: 100657	100206										
20" MAXX Spoke	108244	6				200536		112819								
22" MAXX Spoke	105135					100560		112820	112824	113082	113085	200538	200201			
24" MAXX Spoke	105136					200349	101161	112821	112825	113083	113086	100793	200202			
25" MAXX Spoke	107436					200350		112822	200548	113084	113087	200539	200540			
26" MAXX Spoke	107437					200351		112823	200549			100907	101454			
20" MAXX Mag	111853	6		Aluminum, Plastic Coated, Projection: 100629	Aluminum, Plastic Coated, Projection, Ergonomic: 122064	200536		112819								
22" MAXX Mag	111854			Natural Fit & Ergonomic: 101756	Natural Fit: 101893	100560		112820	112824	113082	113085	200538	200201			
24" MAXX Mag	111855		105137		112821	112825	113083	113086	100793	200202						
24" Superlight	101159	6			100536	100754	101161	100836		113080	113081	100830	100828			
25" Superlight	101160							101160	101091			101464	101460			

\* Spacer and screw part numbers listed in the chart are for standard handrim mounting. If using close mount handrim mounting on aluminum anodized, plastic coated or projection handrims, use part number 100792 for the spacer, part number 122065 for the screw on Ki Spoke and MAXX Spoke wheels, part number 100666 for the screw on 5-Spoke X Core wheels, or part number 122063 for the screw on MAXX Mag wheels.

Effective 4/19/2024

Handrim Hardware Chart (Continued)															
Wheel		Handrim Connection				Handrim									
Wheel	Wheel Part No.	Connection Points	Rivet/Tab	Spacer*	Screw*	Aluminum Anodized	Superlight	Plastic Coated	Projection	Ergonomic Standard	Ergonomic LT	Natural Fit Standard	Natural Fit LT	Flex Rim	
20" Spinerger Spox	See Spinerger Spox Page	6			Ergonomic: 100536	103125		103179							
22" Spinerger Spox						100827		100808				100889	100888		
24" Spinerger Spox						All Others: 100669	100766	101161	100615				100830	100828	
25" Spinerger Spox						Nut: 100657	100767	101160	100765				101464	101460	
26" Spinerger Spox							101477		101148				200200	100950	
22" Spinerger LX	See Spinerger LX Page	6			Ergonomic: 100536	100827		100808				100889	100888		
24" Spinerger LX						100766	101161	100615		113080	113081	100830	100828	See Spinerger LX Page	
25" Spinerger LX						All Others: 100669	100767	101160	100765				101464	101460	
26" Spinerger LX						Nut: 100657	101477		101148				200200	100950	

Handrim Hardware Chart (Discontinued Wheels)													
Wheel		Handrim Connection				Handrim							
Wheel	Wheel Part No.	Connection Points	Rivet/Tab	Spacer*	Screw*	Aluminum Anodized	Superlight	Plastic Coated	Projection	Natural Fit Standard	Natural Fit LT	Flex Rim	
18" Ki Spoke	200529	3	100698	100653	Aluminum, Plastic Ctd, Projection: 122063  Natural Fit: 100835	100206		101106					
20" Ki Spoke	200530	6				200536		200542					
22" Ki Spoke	200531					100560		100576	100569	200538	200201		
24" Ki Spoke	200532					200349		100577	200547	100793	200202		
25" Ki Spoke	200533					200350		101870	200548	200539	200540		
26" Ki Spoke	200534					200351		100578	200549	100907	101454		
20" 5-Spoke X Core	101961	5		Aluminum, Projection, Natural Fit: 100629	100724	101897		101963					
22" 5-Spoke X Core	101962						101898		101964				
24" 5-Spoke X Core	100960						100975		100976	200546			
24" 5-Spoke X Core	100960				Plastic Ctd: 101756	101893				100768	100769		

\* Spacer and screw part numbers listed in the chart are for standard handrim mounting. If using close mount handrim mounting on aluminum anodized, plastic coated or projection handrims, use part number 100792 for the spacer, part number 122065 for the screw on Ki Spoke and MAXX Spoke wheels, part number 100666 for the screw on 5-Spoke X Core wheels, or part number 122063 for the screw on MAXX Mag wheels.

Effective 4/19/2024