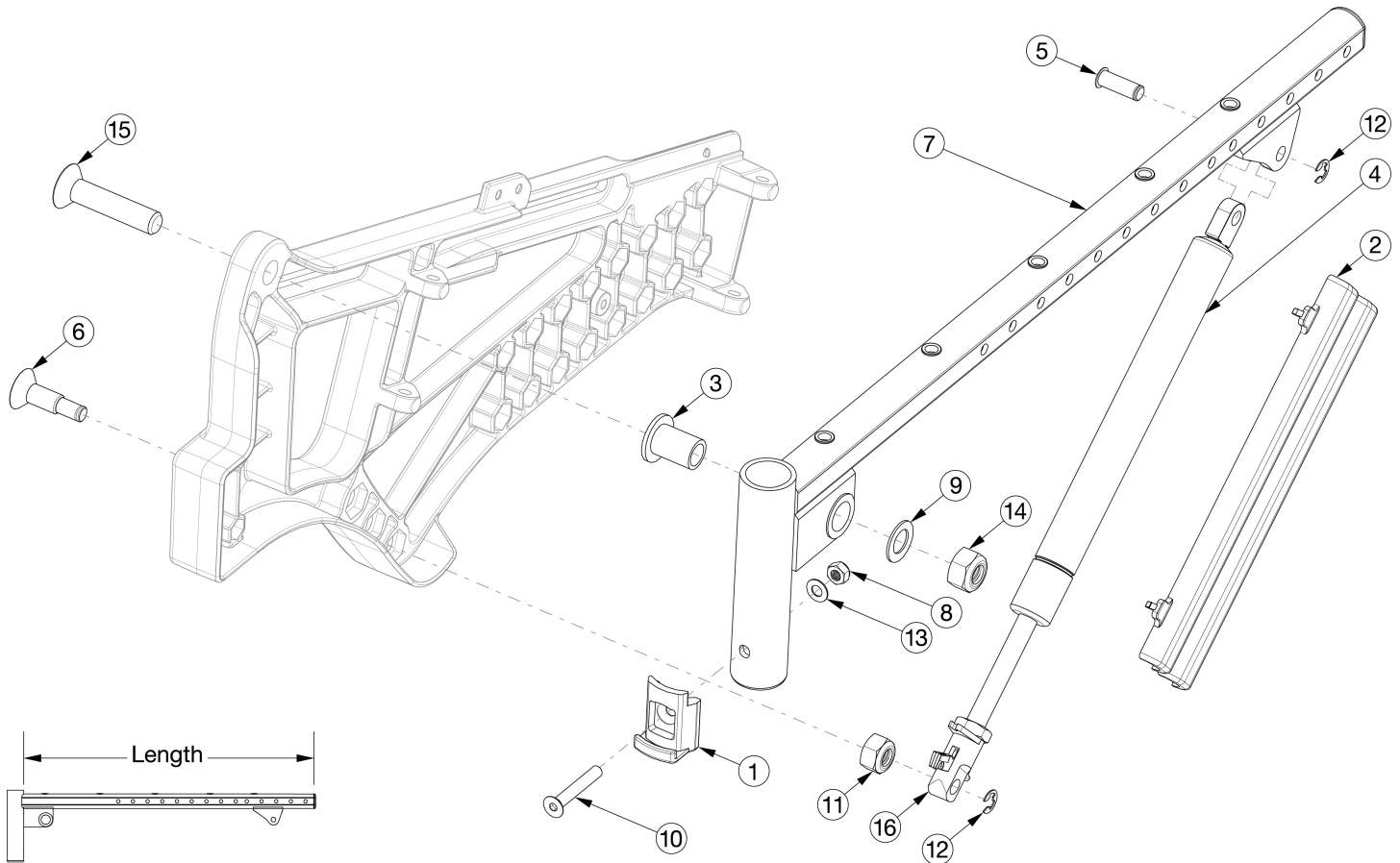


Liberty Seat Frame



Seat Tube	Length
Short	17.75"
Medium	19.75"
Long	21.75"

If you are changing the depth of your chair, please see the Liberty Tilt Mechanism parts manual page to evaluate if a new tilt cable is necessary.

Item Number	Part Number	Description	Quantity
2, 4b, 5, 6, 11, 12, 16	506149	Gas Spring Kit, 300N, Liberty	1
2, 4a, 5, 6, 11, 12, 16	506150	Gas Spring Kit, 450N, Liberty	1
3, 7a, 9, 14, 15	506146	Seat Tube Assembly, Short, Liberty	1
3, 7b, 9, 14, 15	506147	Seat Tube Assembly, Medium, Liberty	1
3, 7c, 9, 14, 15	506148	Seat Tube Assembly, Long, Liberty <i>Updated to longer clevis on seat tube 10/21/2020. Not compatible with Transit Wheels.</i>	1
1	000336	Latch Block	1
2, 4a, 16	506508	Gas Spring, 95mm Stroke, 450N with Cover, Liberty	1

Item Number	Part Number	Description	Quantity
		<i>Used on Widths 18" and Greater (Default Setting)</i>	
2, 4b, 16	506509	Gas Spring, 95mm Stroke, 300N with Cover, Liberty <i>Used on Widths Less than 18" (Default Setting)</i>	1
3	003278	Pivot Bushing	1
5	003282	Clevis Pin, 8mm x .830Lg	1
6	003283	Gas Spring Mount Screw	1
8	100658	M6 Nylock Nut Blk Zn	1
9	100682	Washer 1/2" .518 x .875 x .047 F/W Black Zinc	1
10	101819	M6 x 40 FHCS Blk Zn	1
11	101840	M10 Nylock Nut Blk Zn	1
12	102335	E-Ring 5/16" SS	2
13	102803	Washer Flat .250 x .500 x .027 HX BLZ	1
14	103021	M12 X 1.75mm Nylock Nut Blk Zn	1
15	103031	M12 x 55 FHCS, 10.9, Blk Zn	1
16	111877	Gas Strut Lug, Liberty <i>Includes replacement instructions</i>	1