

# INSTRUCTION SHEET

## Quickie and Zippie Iris Cable Installation

1. Loosen jam nut at locking pin, unscrew locking pin from plate Fig 3a, and remove old cable, Fig 1.
2. Insert the cable completely into the upper housing. The cable adjuster should rest against the bottom of the housing as shown in Fig 2a&b. Tighten the jam nut. Use a minimum amount of torque necessary to lock into position. (1/4 turn of wrench is maximum).
3. Thread new locking pin into plate, Fig. 3a&b.
4. To adjust the cable, loosen the lower jam nut on the latching pin and turn the adaptor to shorten or lengthen the cable adjustment length as needed. If this length is decreased too much slippage of the rocker arm may occur. This must be avoided.
5. Actuate the release lever to assure that the locking pin engages and disengages the rocker arm completely. Release lever should have 1/4" to 1/2" of freeplay.
6. After the proper adjustment is obtained tighten the lower jam nut. Use a minimum amount of torque necessary to lock into position. (1/4 turn of wrench is maximum).
7. If more adjustment is needed the cable can be adjusted at the top jam nut as well.

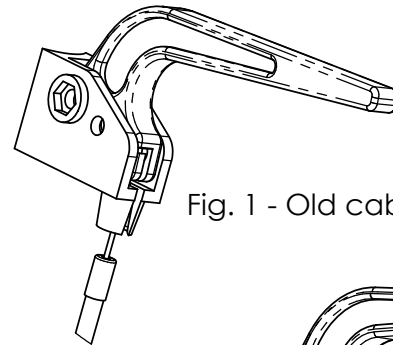


Fig. 1 - Old cable assembly

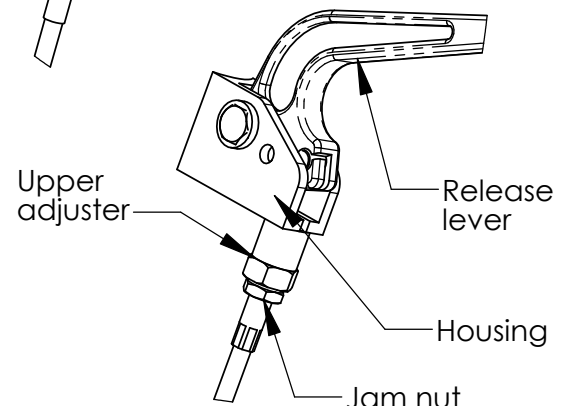


Fig. 2a - New cable assembly

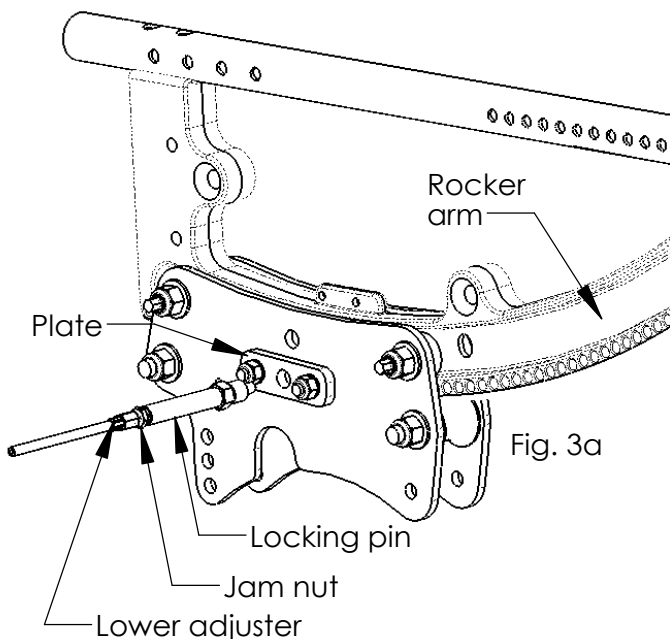


Fig. 3a

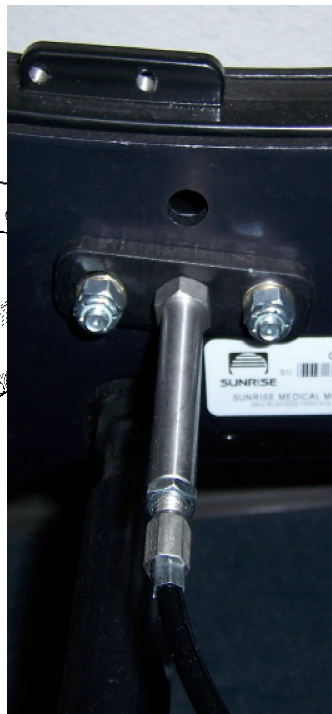


Fig. 3b



Fig. 2b

FOR DEALER USE: Installed by: \_\_\_\_\_ Date: \_\_\_\_\_ (retain as record of installation)