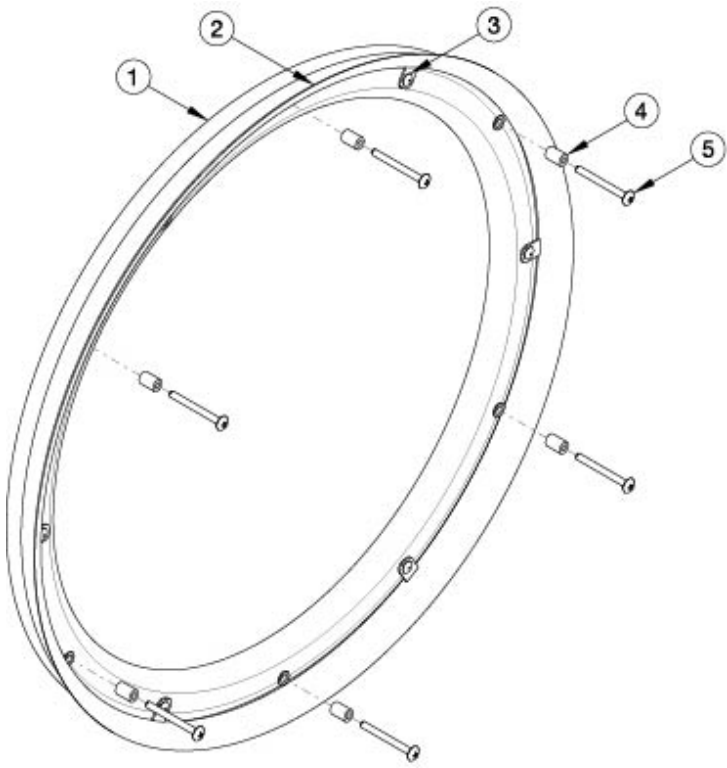
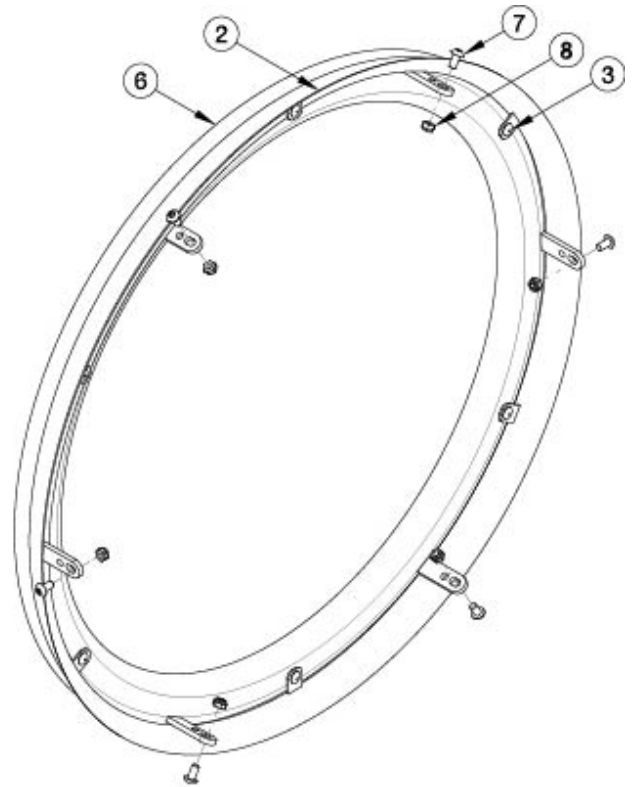


# Ergonomic Handrim



MAXX Spoke or MAXX Mag



Spinergy or Superlight Spoke

For more information, see Handrim Hardware Chart. Quantity in Handrim Hardware Kits are for one wheel.

Item Number	Part Number	Description	Quantity
1a, 2a, 3	119022	Ergonomic Handrim Standard Regular Thumb Grip 6 Rivet NUT 22" <i>Used on 22" Ki Spoke, 22" MAXX Spoke, 22" Spoke, and 22" MAXX Mag</i>	1
1a, 2a, 3, 9	120070	Ergonomic Handrim Standard Regular Thumb Grip 6 Rivet NUT 22" w/ Micro Grip <i>Used on 22" Ki Spoke, 22" MAXX Spoke, 22" Spoke, and 22" MAXX Mag. Micro Grip is not show in diagram.</i>	1
1a, 2b, 3	119023	Ergonomic Handrim Standard Extra Thumb Grip 6 Rivet NUT 22" <i>Used on 22" Ki Spoke, 22" MAXX Spoke, 22" Spoke, and 22" MAXX Mag</i>	1
1b, 2a, 3	119024	Ergonomic Handrim Lite Regular Thumb Grip 6 Rivet NUT 22" <i>Used on 22" Ki Spoke, 22" MAXX Spoke, 22" Spoke, and 22" MAXX Mag</i>	1
1b, 2a, 3, 9	120071	Ergonomic Handrim Lite Regular Thumb Grip 6 Rivet NUT 22" w/ Micro Grip <i>Used on 22" Ki Spoke, 22" MAXX Spoke, 22" Spoke, and 22" MAXX Mag. Micro Grip is not show in diagram.</i>	1
1b, 2b, 3	119025	Ergonomic Handrim Lite Extra Thumb Grip 6 Rivet NUT 22" <i>Used on 22" Ki Spoke, 22" MAXX Spoke, 22" Spoke, and 22" MAXX Mag</i>	1

Item Number	Part Number	Description	Quantity
1c, 2c, 3	119026	Ergonomic Handrim Standard Regular Thumb Grip 6 Rivet NUT 24" <i>Used on 24" Ki Spoke, 24" MAXX Spoke, 24" Spoke, and 24" MAXX Mag</i>	1
1c, 2c, 3, 9	120072	Ergonomic Handrim Standard Regular Thumb Grip 6 Rivet NUT 24" w/ Micro Grip <i>Used on 24" Ki Spoke, 24" MAXX Spoke, 24" Spoke, and 24" MAXX Mag. Micro Grip is not show in diagram.</i>	1
1c, 2d, 3	119027	Ergonomic Handrim Standard Extra Thumb Grip 6 Rivet NUT 24" <i>Used on 24" Ki Spoke, 24" MAXX Spoke, 24" Spoke, and 24" MAXX Mag</i>	1
1c, 2d, 3, 9	120073	Ergonomic Handrim Standard Extra Thumb Grip 6 Rivet NUT 24" w/ Micro Grip <i>Used on 24" Ki Spoke, 24" MAXX Spoke, 24" Spoke, and 24" MAXX Mag. Micro Grip is not show in diagram.</i>	1
1d, 2c, 3	119028	Ergonomic Handrim Lite Regular Thumb Grip 6 Rivet NUT 24" <i>Used on 24" Ki Spoke, 24" MAXX Spoke, 24" Spoke, and 24" MAXX Mag</i>	1
1d, 2c, 3, 9	120074	Ergonomic Handrim Lite Regular Thumb Grip 6 Rivet NUT 24" w/ Micro Grip <i>Used on 24" Ki Spoke, 24" MAXX Spoke, 24" Spoke, and 24" MAXX Mag. Micro Grip is not show in diagram.</i>	1
1d, 2d, 3	119029	Ergonomic Handrim Lite Extra Thumb Grip 6 Rivet NUT 24" <i>Used on 24" Ki Spoke, 24" MAXX Spoke, 24" Spoke, and 24" MAXX Mag</i>	1
1d, 2d, 3, 9	120075	Ergonomic Handrim Lite Extra Thumb Grip 6 Rivet NUT 24" w/ Micro Grip <i>Used on 24" Ki Spoke, 24" MAXX Spoke, 24" Spoke, and 24" MAXX Mag. Micro Grip is not show in diagram.</i>	1
1e, 2e, 3	119032	Ergonomic Handrim Lite Regular Thumb Grip 6 Rivet NUT 25" <i>Used on 25" Ki Spoke and 25" MAXX Spoke</i>	1
1e, 2e, 3, 9	120076	Ergonomic Handrim Lite Regular Thumb Grip 6 Rivet NUT 25" w/ Micro Grip <i>Used on 25" Ki Spoke and 25" MAXX Spoke. Micro Grip is not show in diagram.</i>	1
1e, 2f, 3	119033	Ergonomic Handrim Lite Extra Thumb Grip 6 Rivet NUT 25" <i>Used on 25" Ki Spoke and 25" MAXX Spoke</i>	1
1e, 2f, 3, 9	120077	Ergonomic Handrim Lite Extra Thumb Grip 6 Rivet NUT 25" w/ Micro Grip <i>Used on 25" Ki Spoke and 25" MAXX Spoke. Micro Grip is not show in diagram.</i>	1
2c, 3, 6a	119034	Ergonomic Handrim Standard Regular Thumb Grip 6 Tab 24" <i>Used on 24" Spinergy/Superlight/Topolino</i>	1
2c, 3, 6a, 9	120080	Ergonomic Handrim Standard Regular Thumb Grip Tab 24" w/ Micro Grip <i>Used on 24" Spinergy/Superlight/Topolino</i>	1
2d, 3, 6a	119035	Ergonomic Handrim Standard Extra Thumb Grip 6 Tab 24" <i>Used on 24" Spinergy/Superlight/Topolino</i>	1
2d, 3, 6a, 9	120081	Ergonomic Handrim Standard Extra Thumb Grip Tab 24" w/ Micro Grip	1

Item Number	Part Number	Description	Quantity
		<i>Used on 24" Spinergy/Superlight/Topolino</i>	
2c, 3, 6b	119036	Ergonomic Handrim Lite Regular Thumb Grip 6 Tab 24" <i>Used on 24" Spinergy/Superlight/Topolino</i>	1
2c, 3, 6b, 9	120314	Ergonomic Handrim Lite Regular Thumb Grip 6 Tab 24" w/ Micro Grip <i>Used on 24" Spinergy/Superlight/Topolino</i>	1
2d, 3, 6b	119037	Ergonomic Handrim Lite Extra Thumb Grip 6 Tab 24" <i>Used on 24" Spinergy/Superlight/Topolino</i>	1
2d, 3, 6b, 9	120315	Ergonomic Handrim Lite Extra Thumb Grip 6 Tab 24" w/Micro Grip <i>Used on 24" Spinergy/Superlight/Topolino</i>	1
4a, 5a, 6	119039	Spoke Ergonomic Handrim Hardware Kit 6 Rivet Nut w/ Handrim Tabs <i>Tabs are not shown in diagram</i>	1
4a, 5a	119042	Spoke Ergonomic Handrim Hardware Kit 6 Rivet Nut	1
4b, 5b	119040	Maxx Mag Ergonomic Handrim Hardware Kit 6 Rivet Nut	1
7, 8	120611	6 Tab Ergonomic Handrim Hardware Kit <i>Used with Spinergy and Topolino Wheel</i>	1
10	120610	Superlight Ergonomic Handrim Hardware Kit <i>Hardware is not shown in diagram</i>	1
1a	113082	Ergonomic Standard Handrim 6 Rivet Nut 22" <i>Used on 22" Ki Spoke, 22" MAXX Spoke, 22" Spoke, and 22" MAXX Mag</i>	1
1b	113085	Ergonomic Lite Handrim 6 Rivet Nut 22" <i>Used on 22" Ki Spoke, 22" MAXX Spoke, 22" Spoke, and 22" MAXX Mag</i>	1
1c	113083	Ergonomic Standard Handrim 6 Rivet Nut 24" <i>Used on 24" Ki Spoke, 24" MAXX Spoke, 24" Spoke, and 24" MAXX Mag</i>	1
1d	113086	Ergonomic Lite Handrim 6 Rivet Nut 24" <i>Used on 24" Ki Spoke, 24" MAXX Spoke, 24" Spoke, and 24" MAXX Mag</i>	1
1e	113087	Ergonomic Lite Handrim 6 Rivet Nut 25" <i>Used on 25" Ki Spoke and 25" MAXX Spoke</i>	1
4a	100653	Handrim Spacer Spoke <i>Used with Ki Spoke and Maxx Spoke</i>	6
4b	101756	Handrim Spacer Plastic Coated Rivet <i>Used with Maxx Magg</i>	6
5a	100654	M5 x 40 DIN7985 PH Pan HD M/S ZC <i>Used with Ki Spoke and Maxx Spoke</i>	6

<b>Item Number</b>	<b>Part Number</b>	<b>Description</b>	<b>Quantity</b>
5b	103545	M5 x 50 DIN7985 PH PAN HD M/S BLK ZC <i>Used with Maxx Magg</i>	6
6a	113080	Ergonomic Standard Handrim 6 Tab 24" <i>Used on 24" Spinergy/Superlight/Topolino</i>	1
6b	113081	Ergonomic Lite Handrim 6 Tab 24" <i>Used on 24" Spinergy/Superlight/Topolino</i>	1
7	100669	M5 x 10 BTN SHCS BLKZC w/Patch <i>Used on Spinergy/Topolino</i>	6
8	100657	M5 Nylock Nut Blk Zn <i>Used on Spinergy/Topolino</i>	6
10	100536	M5 x 12 BTN SHCS ZC <i>Used on Superlight</i>	6
11	100698	Handrim Tab <i>Used with Ki Spoke and Maxx Spoke. Tabs are not shown in diagram.</i>	6

### Handrim Hardware Chart

Wheel		Handrim Connection				Handrim									
Wheel	Wheel Part No.	Connection Points	Rivet/Tab	Spacer*	Screw*	Aluminum Anodized	Superlight	Plastic Coated	Projection	Ergonomic Standard	Ergonomic LT	Natural Fit Standard	Natural Fit LT	Flex Rim	
22" Spoke	116730	5 or 6	116732 (Used with 5 Rivet) 100698 (Used with 6 Rivet)	100653 (Not used w/ Superlight Handrim)	Aluminum, Plastic Ctd, Projection Ergonomic: 100654 Natural Fit: 100835 Superlight: Screw: 100669 Nut: 100657	101898 (5 Rivet)		101964 (5 Rivet)	112824 (6 Rivet)	113082 (6 Rivet)	113085 (6 Rivet)	200538 (6 Rivet)	200201 (6 Rivet)		
24" Spoke	116728	5 or 6	Not used w/ Superlight Handrims			100975 (5 Rivet)	101161 (6 Tab)	100976 (5 Rivet)	112825 (6 Rivet)	113083 (6 Rivet)	113806 (6 Rivet)	100793 (6 Rivet)	200202 (6 Rivet)		
18" MAXX Spoke	109285	3	100698 (Not used w/ Superlight Handrim)	100653 (Not used w/ Superlight Handrim)	Aluminum, Plastic Ctd, Projection, Ergonomic: 100654 Natural Fit: 100835 Superlight: Screw: 100669 Nut: 100657	100206									
20" MAXX Spoke	108244	6				200536		112819							
22" MAXX Spoke	105135					100560		112820	112824	113082	113085	200538	200201		
24" MAXX Spoke	105136					200349	101161	112821	112825	113083	113086	100793	200202		
25" MAXX Spoke	107436					200350		112822	200548	113084	113087	200539	200540		
26" MAXX Spoke	107437					200351		112823	200549			100907	101454		
20" MAXX Mag	111853	6		Aluminum, Plastic Coated, Projection: 100629 Natural Fit & Ergonomic: 101756	Aluminum, Plastic Coated, Projection, Ergonomic: 103545 Natural Fit: 101893	200536		112819							
22" MAXX Mag	111854		100560				112820	112824	113082	113085	200538	200201			
24" MAXX Mag	111855		105137				112821	112825	113083	113086	100793	200202			
24" Superlight	101159	6			100536	100754	101161	100836		113080	113081	100830	100828		
25" Superlight	101160							101160	101091			101464	101460		

\* Spacer and screw part numbers listed in the chart are for standard handrim mounting. If using close mount handrim mounting on aluminum anodized, plastic coated or projection handrims, use part number 100792 for the spacer, part number 102616 for the screw on Ki Spoke and MAXX Spoke wheels, part number 100666 for the screw on 5-Spoke X Core wheels, or part number 100654 for the screw on MAXX Mag wheels.

Effective 3/17/2023

Handrim Hardware Chart (Continued)													
20" Spinergy Spox	See Spinergy Spox Page	6			Screw: 100669	103125		103179					
22" Spinergy Spox						100827		100808			100889	100888	
24" Spinergy Spox					Nut: 100657	100766	101161	100615			100830	100828	
25" Spinergy Spox						100767	101160	100765			101464	101460	
26" Spinergy Spox						101477		101148			200200	100950	
22" Spinergy LX	See Spinergy LX Page	6			Screw: 100669	100827		100808			100889	100888	
24" Spinergy LX						100766	101161	100615		113080	113081	100830	100828
25" Spinergy LX					Nut: 100657	100767	101160	100765			101464	101460	See Spinergy LX Page
26" Spinergy LX						101477		101148			200200	100950	

Handrim Hardware Chart (Discontinued Wheels)													
Wheel		Handrim Connection				Handrim							
Wheel	Wheel Part No.	Connection Points	Rivet/Tab	Spacer*	Screw*	Aluminum Anodized	Superlight	Plastic Coated	Projection	Natural Fit Standard	Natural Fit LT	Flex Rim	
18" Ki Spoke	200529	3	100698	100653	Aluminum, Plastic Ctd, Projection: 100654	100206		101106					
20" Ki Spoke	200530	6				100835	200536		200542				
22" Ki Spoke	200531						100560		100576	100569	200538	200201	
24" Ki Spoke	200532				200349			100577	200547	100793	200202		
25" Ki Spoke	200533				200350		101870	200548	200539	200540			
26" Ki Spoke	200534				200351		100578	200549	100907	101454			
20" 5-Spoke X Core	101961		5		Aluminum, Projection, Natural Fit: 100629	100724	101897		101963				
22" 5-Spoke X Core	101962	101898						101964					
24" 5-Spoke X Core	100960	100975						100976	200546				
24" 5-Spoke X Core	100960	101893						100768	100769				

\* Spacer and screw part numbers listed in the chart are for standard handrim mounting. If using close mount handrim mounting on aluminum anodized, plastic coated or projection handrims, use part number 100792 for the spacer, part number 102616 for the screw on Ki Spoke and MAXX Spoke wheels, part number 100666 for the screw on 5-Spoke X Core wheels, or part number 100654 for the screw on MAXX Mag wheels.

Effective 3/17/2023