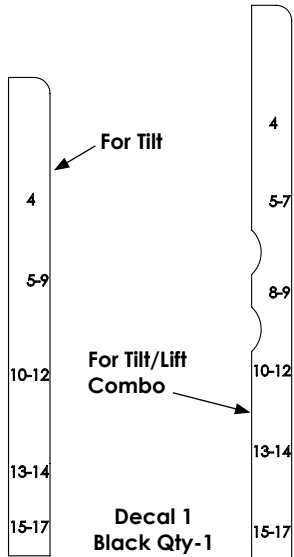


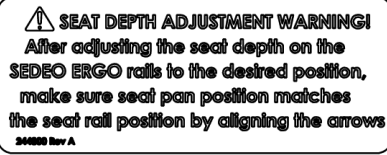


Please read these instructions carefully before beginning the assembly. Failure to understand and follow assembly instructions may result in injury to technician and/or end user and may void the warranty. If you have any questions call Sunrise Medical Technical Support at +1 (800) 333-4000.

Parts required:



Decal 2
Black Qty-1



Decal 3 Yellow Qty-1

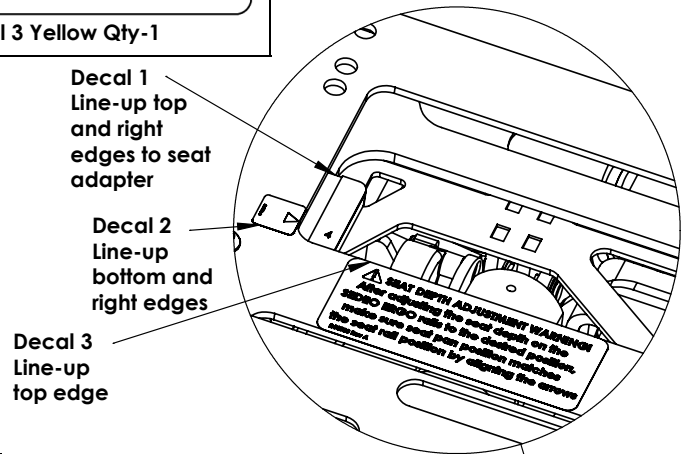
Tools required:

1. 5mm hex key
2. Torque wrench

A. DECAL PLACEMENT

1. Attach decals in locations shown on right:
 - a. If changing from a Tilt to Lift/Tilt combo decals can be placed on top of any existing decals.

WARNING
Correct placement of decals is critical for correct seat depth alignment. Exception-decal 3.

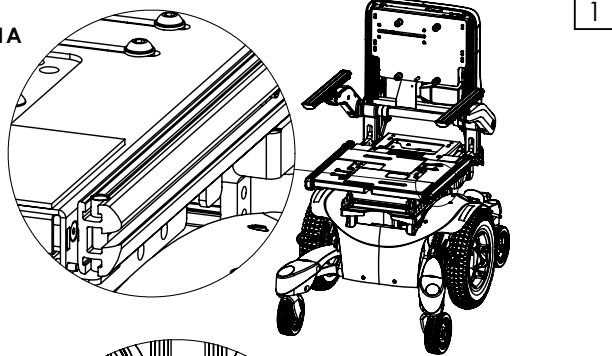


Decal 1
Line-up top and right edges to seat adapter

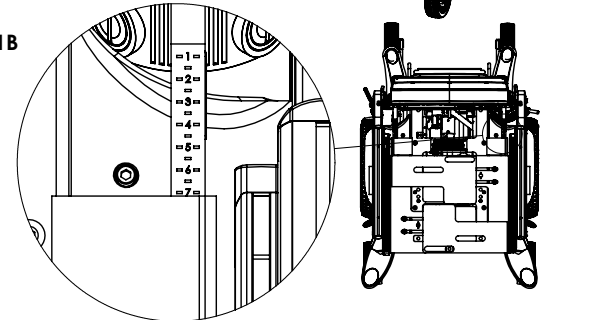
Decal 2
Line-up bottom and right edges

Decal 3
Line-up top edge

1A



1B



Top of seat

B. DEPTH ADJUSTMENT PREPARATION

1. Note current depth and determine which depth is desired.
2. For replacement of old adapter, ensure module to interface is at position C for tilt, position E for tilt/lift combo and request a new subset file. See page 2.

C. DEPTH ADJUSTMENT SEAT PAN 1

1. Using a 5mm hex key loosen the 4 bolts on the bottom sides of the seat (Fig. 1A).
2. Slide seat to desired depth. Depth is indicated on rail (Fig 1B).
3. Torque bolts to 13.6-14.9Nm [10-11 ft-lbs].



⚠️ DEALER/TECHNICIAN WARNING

Attention dealers and qualified technicians, do not operate or service this device without first reading the owners manual. If you do not understand the instructions and warnings in the owners manual please contact the Quickie Technical Service Department before operating and/or servicing the Quickie device. Failure to do so may result in damage and/or injury.

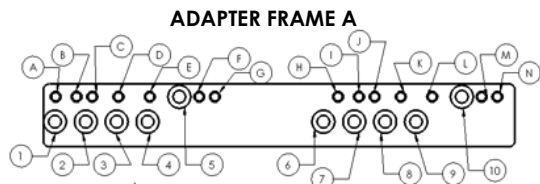
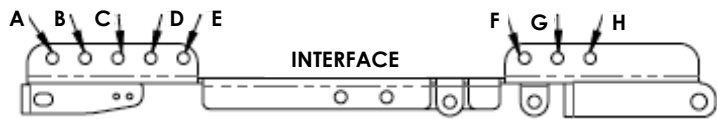
Find more information and important warnings see the wheelchair owner's manual or at: www.SunriseMedical.com.

Sunrise Medical 2842 N. Business Park Ave Fresno, CA 93727 USA

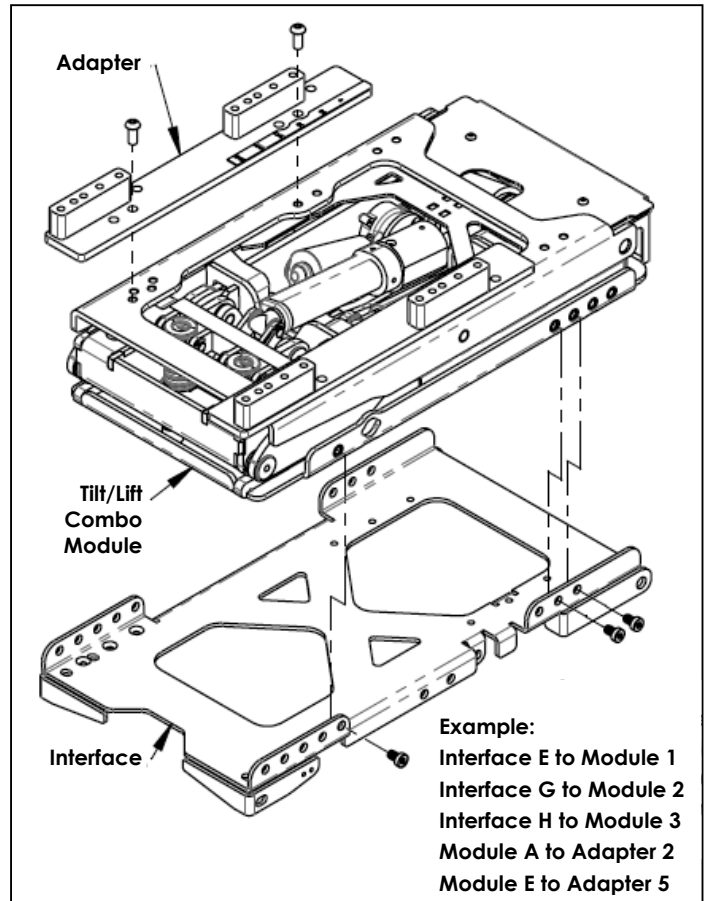
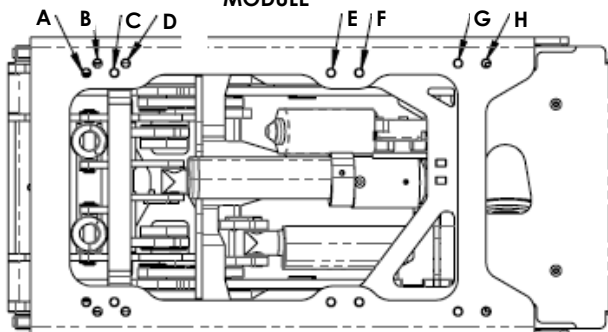
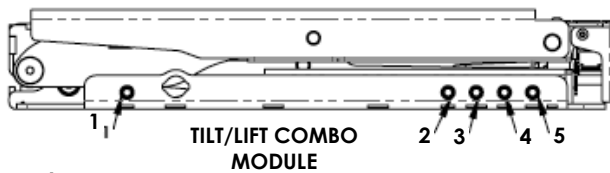
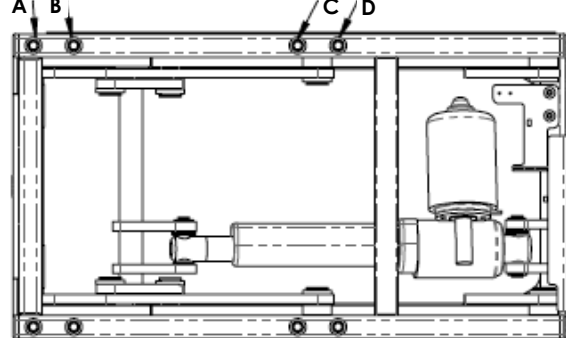
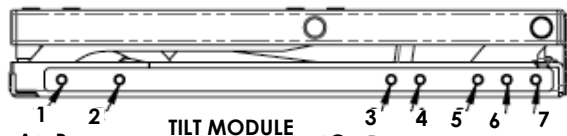
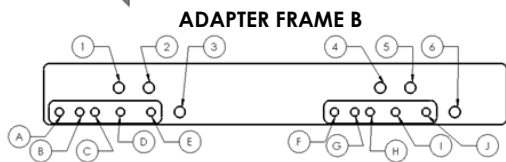
In Canada (800) 263-3390



Q7ME DEPTH ADJUSTMENT TILT & LIFT-TILT COMBO



← FRONT OF CHAIR



SEAT DEPTH	MODULE	INTERFACE to MODULE	MODULE to ADAPTER FRAME A	MODULE to ADAPTER FRAME B
SAME FOR ALL SEAT DEPTHS 15"-20"	TILT	Interface-Module	Module - Adapter B-5 D-10	Module - Adapter B-3 D-6
		C-1		
		F-4		
	TILT/LIFT COMBO	Interface - Module	Module - Adapter A-4 E-9	Module - Adapter A-2 E-5
		E-1		
		G-2		
		H-3		

Sunrise Medical 2842 N. Business Park Ave Fresno, CA 93727 USA

In Canada (800) 263-3390



Customer service: +1 (800) 333-4000
 or visit www.SunriseMedical.com

© 2021 Sunrise Medical (US) LLC
 05/2021 P/N 248019 Rev. C
 Pg 2 of 3

D. DEPTH ADJUSTMENT COMPONENTS

1. Note desired depth on chart, Figure 2.
2. Using the 5mm hex key remove the 4 bolts on the top of the seat pan and reposition to proper holes indicated on the chart.
3. Once front position is made the back holes will line up to the proper position.

E. DECAL ALIGNMENT

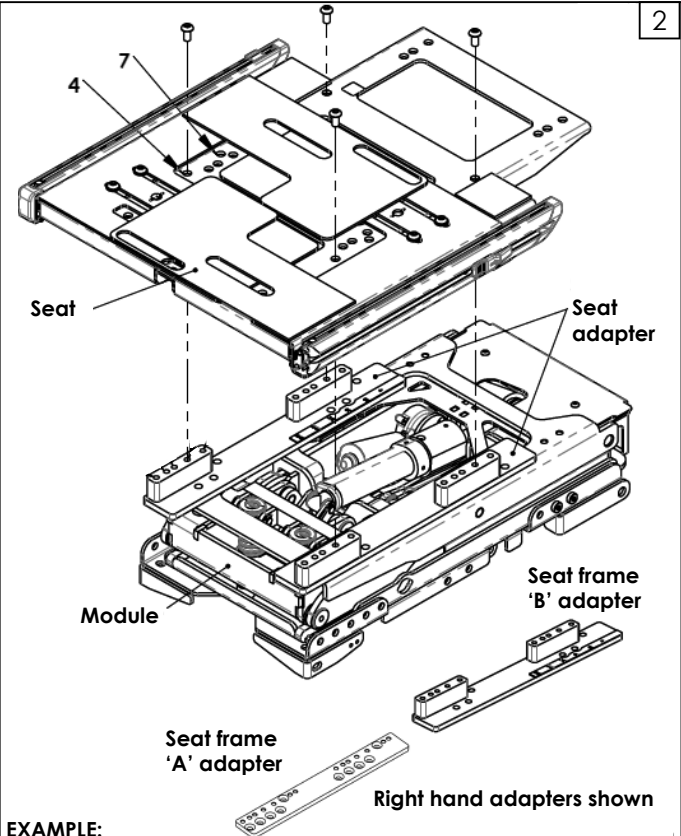
1. After adjustments are made ensure that the arrow on decal 2 lines up to the proper seat depth on corresponding decal 1, Fig 3 & 3A.

⚠ WARNING

Check decal and frame depth locations, Figure 3 & 3A. They should BOTH line up to the same seat depth position. If they do not, make necessary adjustments and/or contact Sunrise Medical Technical Support 800-333-4000.

F. FINAL ADJUSTMENTS

1. Once all alignments are confirmed ensure that all bolts are torqued to 13.6-14.9Nm [10-11 ft-lbs].



EXAMPLE:
For 16-in set depth with combo module and seat frame B: Seat position 7. Combo D-4 - 4 on the seat will line up to 'D' on the seat adapter.

Seat Depth	Seat Position	Tilt	Combo Frame A	Combo Frame B
15-in	4	E-4	E-4	E-4
16-in	7	D-4	D-4	D-4
17-in	9	D-4	C-4	E-7
18-in	12	E-7	D-7	D-7
19-in	14	D-7	C-7	C-7
20-in	17	C-7	A-7	A-7

