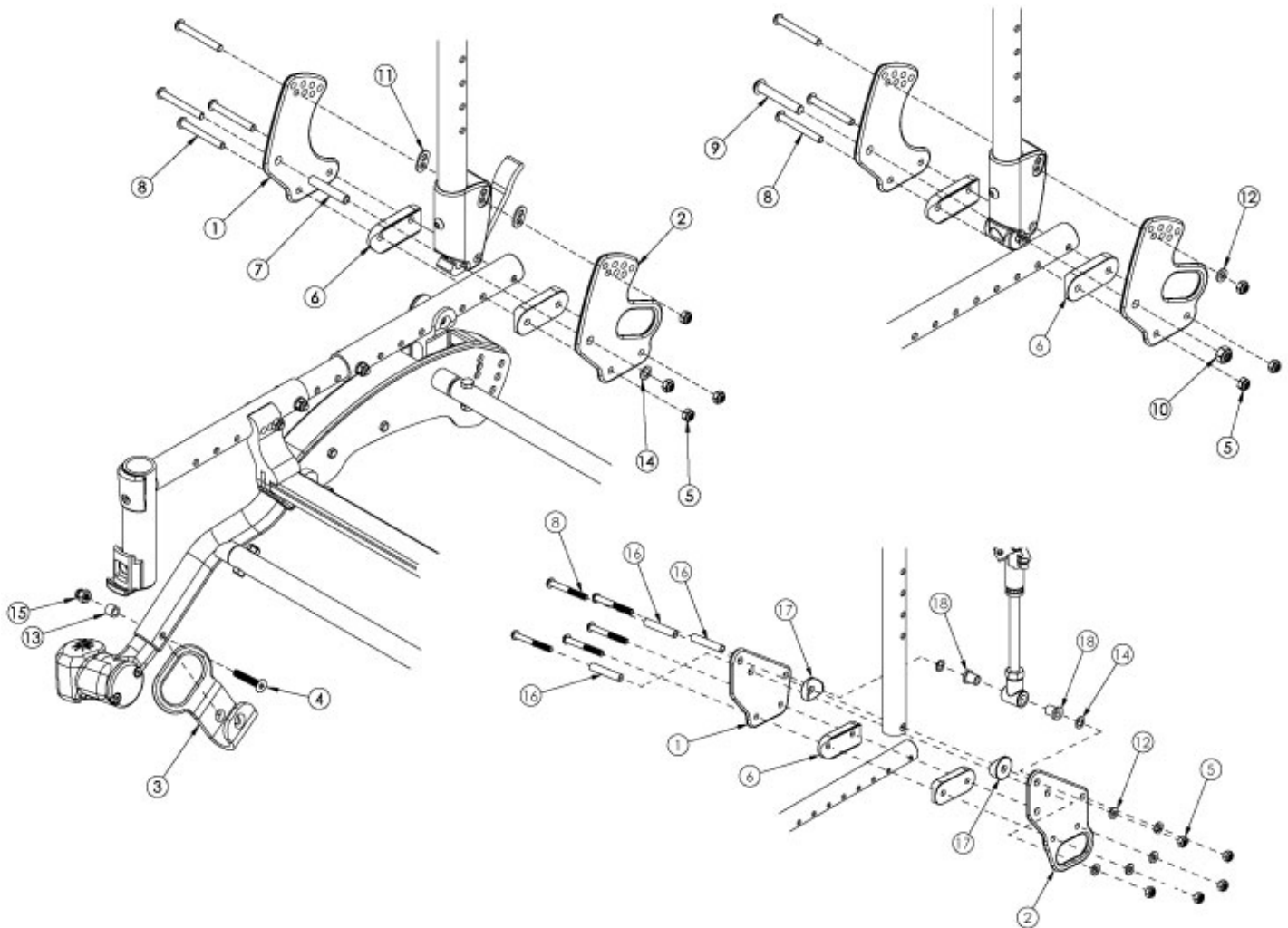


Flip Transit



Notice: Chair configuration review required prior to parts being quoted or ordered. See Flip for Leckey Transit page if replacing parts for this model

Item Number	Part Number	Description	Quantity
1a, 2a, 5-8, 11, 14	502820	Backrest Hardware Kit Std Transit (one side), FLIP	1
1b, 2b, 5, 6, 8, 12, 14, 16-18	107698	Reclining Backrest Hardware Kit (one side), Transit, Flip	1
1a, 2a, 5, 6, 8-10, 12	503163	Backrest Hardware Kit Non-Folding (one side), Transit, Flip	1
1a, 2a, 3, 4, 13, 15	502407	Transit Retrofit Kit FLIP <i>This kit is a complete retrofit, containing a pair of front transit brackets with attaching hardware and transit backplates.</i>	1
1b, 2b, 3, 4, 13, 15	111163	Transit Retrofit Kit, Reclining, FLIP <i>This kit is a complete retrofit, containing a pair of front transit brackets with attaching hardware and transit backplates.</i>	1

Item Number	Part Number	Description	Quantity
1a	001890	Back Plate, Std	1
1b	003836	Back Plate, Recline, Ped <i>Used on Reclining Backrests.</i>	1
2a	001891	Back Plate, Transit	1
2b	003837	Back Plate, Recline, Ped, Transit <i>Used on Reclining Backrests.</i>	1
4	101733	M6 x 35 CLS10.9 DIN7991 FSHCS BLKZC	1
5	100658	M6 Nylock Nut Blk Zn	1
6	002595	Saddle, Dual, 1" OD X 1.5 SP	2
7	002738	Spacer .313 OD x .243 ID x 1.68 long	1
8	101781	M6 x 50mm Partial Thread BHCS Blk ZC	1
9	101815	M8 x 50 BHCS Blk Zn	1
10	100659	M8 Nylock Nut Blk Zn	1
11	001897	Washer, Dual, PSA	2
12	100746	M6 Flat Washer Blk Zn	1
13	002086	Spacer, .38ODx.24IDx.31LG	1
14	101861	Nylon Washer 5/16 x 1/2 x .03	1
15	100558	M6 Nyl Ins Domed Cap L/N Zc	1
16	001075	Stop Pin Backrest Tilt	3
17	001271	1" Saddle, .323 Hole	2
18	102081	Bushing Flange .319 IDx.394 OD	2