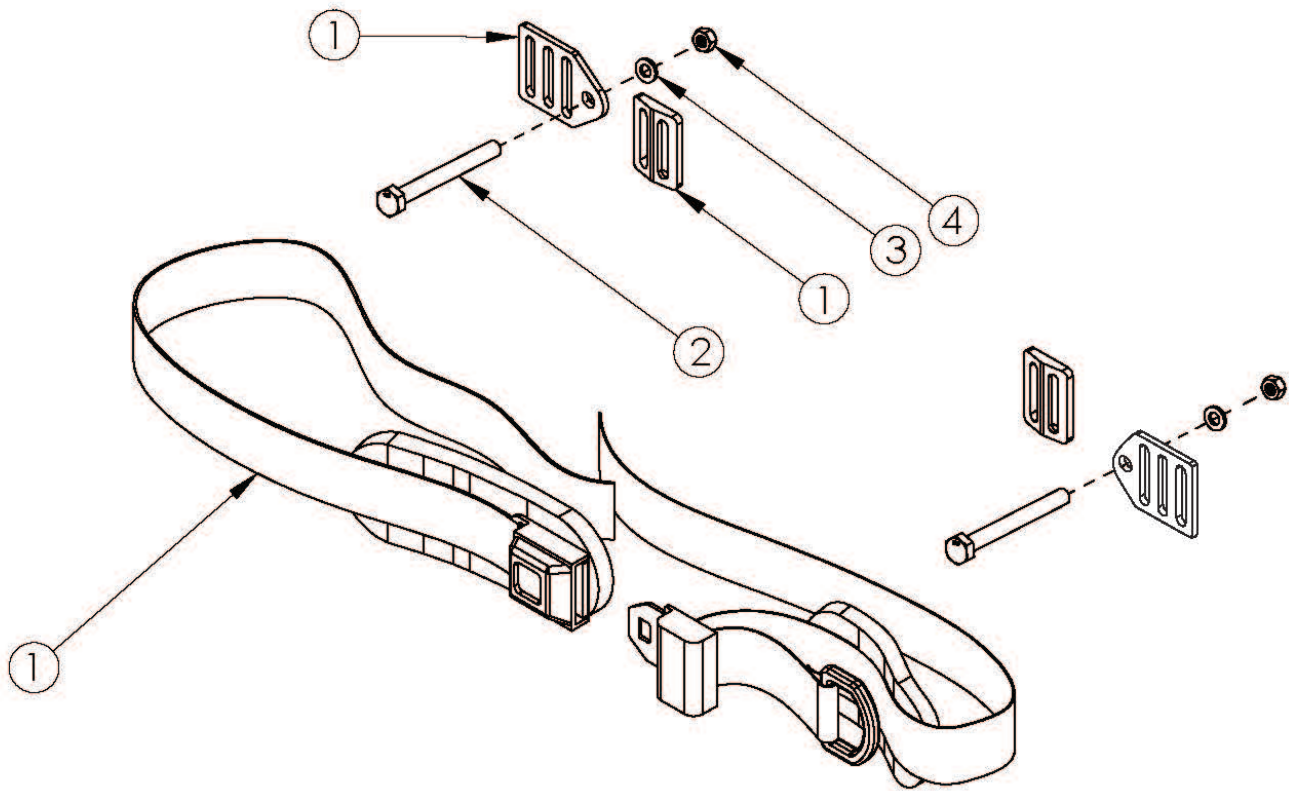


# 1" Padded Auto Buckle Pelvic Positioning Belt



Item Number	Part Number	Description	Quantity	Retail
1, 2a, 3, 4	111215	Belt Pelvic Positioning 1" Auto Buckle Padded 53", Catalyst/Spark	1	\$170.00
1, 2b, 3, 4	111216	Belt Pelvic Positioning 1" Auto Buckle Padded 53", Focus	1	\$170.00
1, 2c, 3, 4	111217	Belt Pelvic Positioning 1" Auto Buckle Padded 53", Tsunami/Rogue	1	\$170.00
1, 2d, 3, 4	111218	Belt Pelvic Positioning 1" Auto Buckle Padded 53", Clik/Ethos	1	\$170.00
1, 2e, 3, 4	111219	Belt Pelvic Positioning 1" Auto Buckle Padded 53", Flip/Liberty	1	\$170.00
1	100613	Belt Pelvic Positioning 1" Auto Buckle Padded 53"	1	\$170.00
2a	100681	M6 x 40 CLS8.8 DIN931 HHCS ZC <i>Used on Catalyst and Spark</i>	2	\$1.58
2b	101125	M6 x 55 BTN SHCS BLKZC <i>Used on Focus</i>	2	\$2.10

Item Number	Part Number	Description	Quantity	Retail
2c	101781	M6 x 50mm Partial Thread BHCS Blk ZC <i>Used on Tsunami, Rogue and Rogue XP</i>	2	\$1.58
2d	100670	M6 x 45 BTN SHCS BLK ZC <i>Used on Clik and Ethos</i>	2	\$1.58
2e	101811	M6 x 35 BHCS Blk Zn <i>Used on Flip and Liberty</i>	2	\$1.05
3	100746	M6 Flat Washer Blk Zn	2	\$1.58
4	100658	M6 Nylock Nut Blk Zn	2	\$1.05