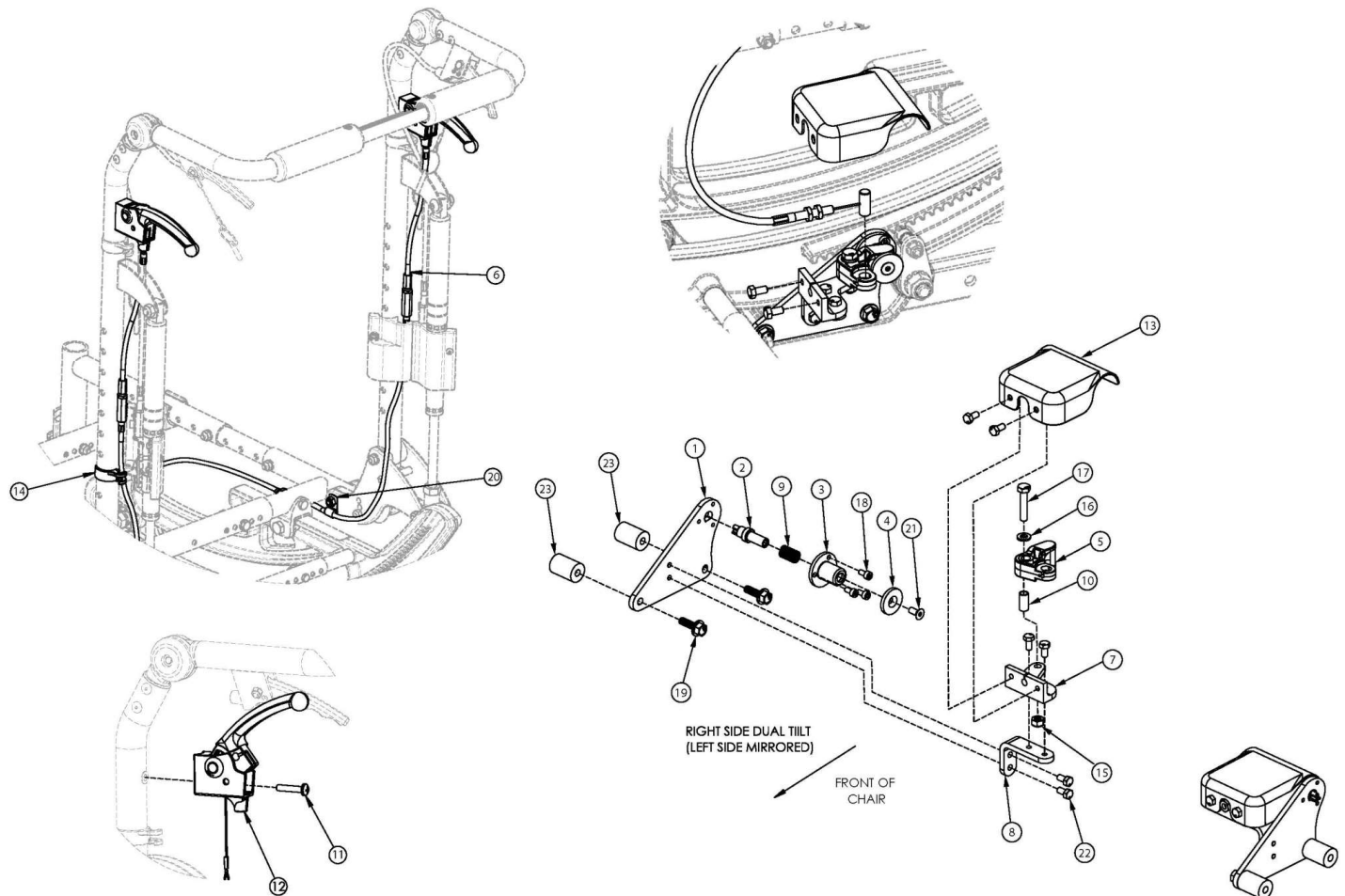


(Discontinued 2) Focus CR Dual Hand Tilt Mechanism Reclining Back



This Focus CR Hand Tilt is discontinued. This design was effective starting with serial numbers FCR0025162 and FCHD002316 to FCR0026598 and FCHD002332.

Item Number	Part Number	Description	Quantity
1-5, 7a, 7b, 8-10, 13, 15-18, 19a, 21, 22	506274	Dual Tilt Lock Mechanism Kit, Focus <i>For complete dual hand tilt mechanism, select appropriate Hand Tilt Cable/Trigger Kit in addition to this kit</i>	1
1-5, 7a, 7b, 8-10, 13, 15-18, 19b, 21-23	506275	Dual Tilt Lock Mechanism Kit, Heavy Duty, Focus <i>For complete dual hand tilt mechanism, select appropriate Hand Tilt Cable/Trigger Kit in addition to this kit</i>	1
6a, 11, 12, 14, 20	506254	Hand Tilt Cable/Trigger Kit with Short Cable, Stroller Handle/Recline, Focus <i>Used with Short Recline Back Post</i>	2
6b, 11, 12, 14, 20	506255	Hand Tilt Cable/Trigger Kit with Tall Cable, Stroller Handle/Recline, Focus <i>Used with Tall Recline Back Post</i>	2

Item Number	Part Number	Description	Quantity
1	004280	Mount Plate, Tilt Lock	2
2	004281	Pin, Plunger, Tilt Lock	2
3	004282	Housing, Plunger, Tilt Lock	2
4	004283	Thrust Washer, Tilt Lock	2
5	004284	Cam Lever, Drive, Tilt Lock	2
1-5, 7a, 8-10, 13, 15-18, 19a, 21, 22	506276	Tilt Lock Mechanism Dual Hand, Right	1
1-5, 7b, 8-10, 13, 15-18, 19a, 21, 22	506277	Tilt Lock Mechanism Dual Hand, Left	1
1-5, 7a, 8-10, 13, 15-18, 19b, 21-23	506278	Tilt Lock Mechanism Dual Hand, Heavy Duty Right	1
1-5, 7b, 8-10, 13, 15-18, 19b, 21-23	506279	Tilt Lock Mechanism Dual Hand, Heavy Duty Left	1
6a	004300	Cable, Tilt Short <i>Used with Short Recline Back Post</i>	2
6b	004301	Cable, Tilt, Medium <i>Used with Tall Recline Back Post</i>	2
7a	004287	Linkage Mount, Right	1
7b	004288	Linkage Mount, Left	1
8	004289	Bracket, Mount, Tilt Lock	2
9	004290	Spring, Comp, .42OD x 1.0L x .038W	2
10	004291	Bushing, Pivot, Tilt Lock	2
11	100734	M5 x 16 PHMS ZC	2
11, 12	110139	Lever Assembly with Lanyard Vertical Tilt	2
13	004298	Cover, Tilt Lock	2
14	001117	Cable Clip 1"	4
15	100658	M6 Nylock Nut Blk Zn	2
16	100746	M6 Flat Washer Blk Zn	2
17	101824	M6 X 30 Hhcs Blk Zn	2
18	102800	M4 x 8mm SHCS Blk Zn	6
19a	103510	M6 x 1 x 20 HHCS SFLG CLS8.8 Blk Zn DIN6921	4

Item Number	Part Number	Description	Quantity
		<i>Used with Standard Weight Capacity</i>	
19b	103511	M6 x 1 x 45 HHCS SFLG CLS8.8 Blk Zn DIN6921 <i>Used with Heavy Duty Option</i>	4
20	001239	P-Clip 3/16"	2
21	103522	M5 x 0.8 x 12 FHCS CLS 10.9 Nyl Blk Zn DIN7991	2
22	200427	M5 x 10 CLS8.8 HHCS ZC w/Patch DIN933	12
23	001405	Spacer, .69OD x .24ID x .1.01Lg <i>Used with Heavy Duty Option</i>	4