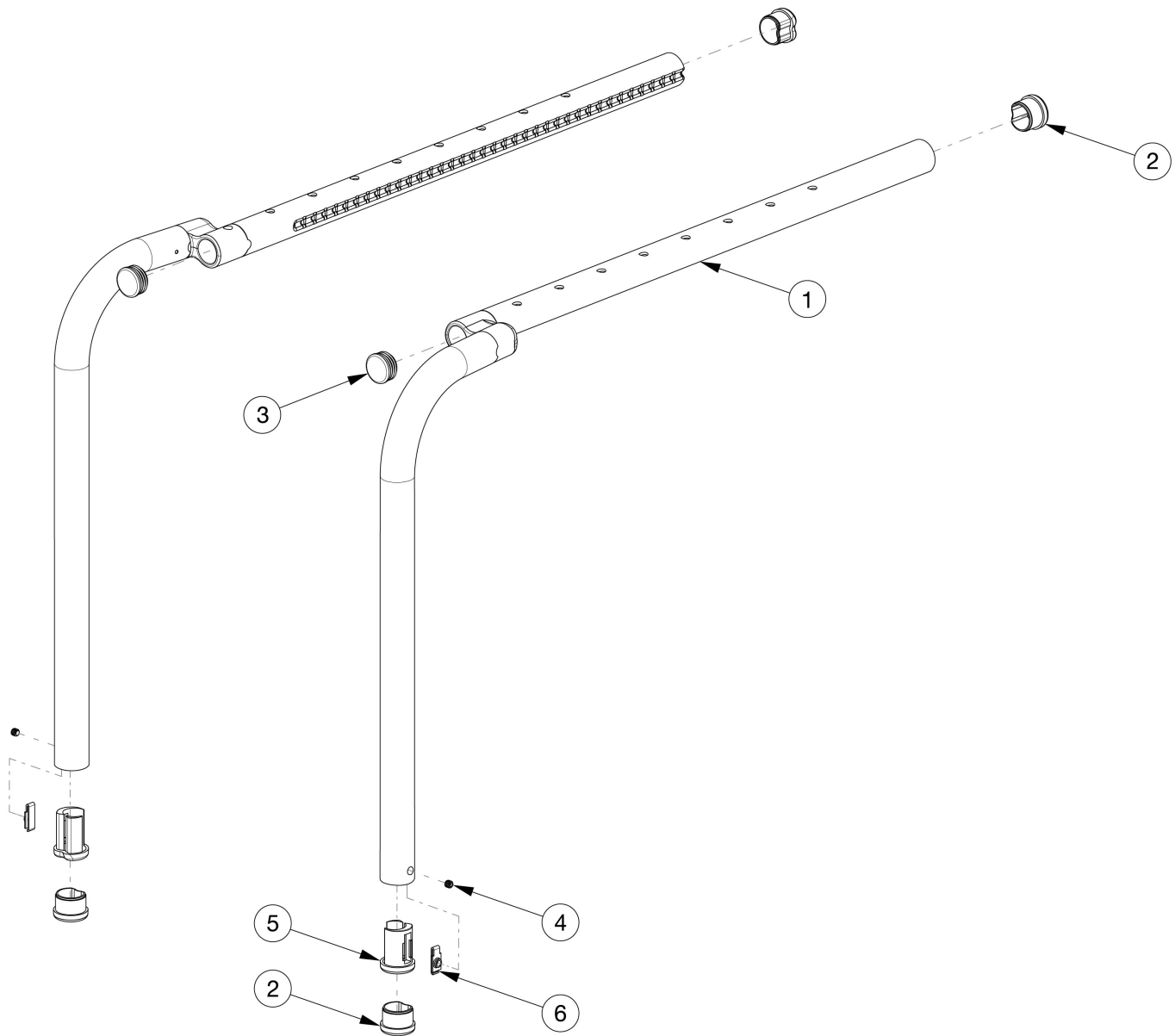


Clik Offset Side Frame



This design effective starting with serial number CLK005270. Drilled Clik Offset Side Frames effective April 13, 2018. A Sling Position of 1" or 2" is Required for an Offset Side Frame Replacement side frames may be quoted, but must be ordered through Customer Service. Serial number required upon order. If changing to an Offset Frame and have Push or Pull to Lock, Push to Lock Flush or Grade Aid wheel locks, the bent wheel lock bar and long wheel lock clamp are required. Item numbers 4-6 are only needed when footrest is not high mounted. Changing to offset that if frame mounted footrest new tubes/plate may be needed.

Item Number	Part Number	Description	Quantity
1a, 2, 3	RFCLLS	Replacement Little Wave Clik Side Frame Left	1
1b, 2, 3	RFCLRS	Replacement Little Wave Clik Side Frame Right	1

Item Number	Part Number	Description	Quantity
1a, 1b, 2, 3	RFCLPR	Replacement Little Wave Klik Side Frame PAIR	1
1c, 2, 3	RFCLGITLS	Replacement Little Wave Klik Side Frame w/ Graphic Image Transfer Left	1
1d, 2, 3	RFCLGITRS	Replacement Little Wave Klik Side Frame w/ Graphic Image Transfer Right	1
4-6	506824	Frame Inserted Footrest Hardware Kit, Pair, Klik	1
2	002791	Seat Tube End Cap <i>Use quantity 4 with high-mounted footrests.</i>	2
3	100804	Tube End Plug 1"	2
4	102090	M6 Set Screw Flat Point	2
5a	002797	Footrest Insert Right	1
5b	002799	Footrest Insert Left	1
6	002798	Footrest Screw Plate	2