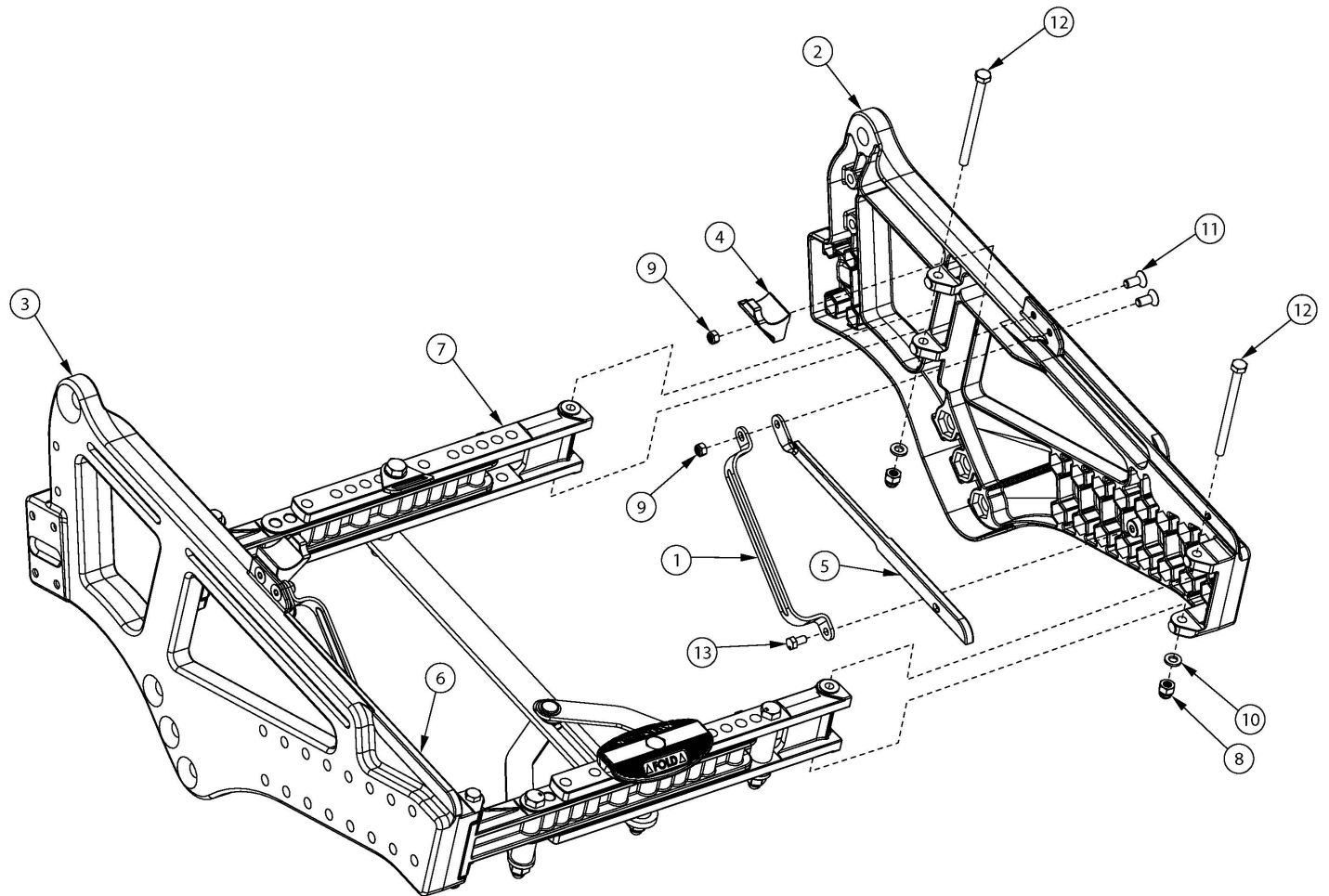


# Liberty Side Frame



If quoting a Left Frame for Australia or New Zealand, 122921 is required when transit is not present.

| Item Number | Part Number | Description  | Quantity |
|-------------|-------------|--|----------|
| 1           | 003248      | Retainer, Gas Spring   | 2        |
| 2, 5        | 506593_ _ _ | Side Frame, Right, Liberty   | 1        |
| 3, 6        | 506594_ _ _ | Side Frame, Left, Liberty  | 1        |
| 3,6         | 122519_ _ _ | Side Frame, Left, Liberty, Not for Transit<br><i>Please quote when transit is not present.</i> | 1        |
| 4           | 003269      | Bumper, Seat Frame   | 2        |
| 5           | 506591      | Inner Frame Cover Right, Liberty<br><i>Includes installation instructions</i>                  | 1        |
| 6           | 506592      | Inner Frame Cover Left, Liberty<br><i>Includes installation instructions</i>                   | 1        |

| Item Number | Part Number | Description   | Quantity |
|-------------|-------------|---|----------|
| 7a          | 110071      | Cross Brace Assembly, Base, Small, 14W with Instruction<br><i>Achieves all small width range settings 14" - 18" with folding frame. For complete breakdown of parts included, see Liberty FT Base Frame Cross Brace page.</i>   | 1        |
| 7b          | 110073      | Cross Brace Assembly, Base, Medium, 16W with Instruction<br><i>Achieves all medium width range settings 16" - 20" with folding frame. For complete breakdown of parts included, see Liberty FT Base Frame Cross Brace page.</i>   | 1        |
| 7c          | 110075      | Cross Brace Assembly, Base, Large, 18W with Instruction<br><i>Achieves all large width range settings 18" - 22" with folding frame. For complete breakdown of parts included, see Liberty FT Base Frame Cross Brace page.</i>   | 1        |
| 7d          | 110077      | Cross Brace Assembly Non-Folding, Base, Small, 14W with Instruction<br><i>Achieves all small width range settings 14" - 18" with non-folding frame. For complete breakdown of parts included, see Liberty FT Base Frame Cross Brace page and Liberty FT Non-Folding Cross Brace page.</i>   | 1        |
| 7e          | 110079      | Cross Brace Assembly Non-Folding, Base, Medium, 16W with Instruction<br><i>Achieves all medium width range settings 16" - 20" with non-folding frame. For complete breakdown of parts included, see Liberty FT Base Frame Cross Brace page and Liberty FT Non-Folding Cross Brace page.</i> | 1        |
| 7f          | 110081      | Cross Brace Assembly Non-Folding, Base, Large, 18W with Instruction<br><i>Achieves all large width range settings 18" - 22" with non-folding frame. For complete breakdown of parts included, see Liberty FT Base Frame Cross Brace page and Liberty FT Non-Folding Cross Brace page.</i>   | 1        |
| 8a          | 100558      | M6 Nyl Ins Domed Cap L/N Zc<br><i>Use quantity 4 if Transit Wheels are not present. Use quantity 2 if Transit Wheels are present.</i>   | 4        |
| 8b          | 100658      | M6 Nylock Nut Blk Zn<br><i>Use quantity 2 if Transit Wheels are present.</i>  | 2        |
| 9           | 100657      | M5 Nylock Nut Blk Zn  | 4        |
| 10a         | 100746      | M6 Flat Washer Blk Zn<br><i>Use quantity 4 if Transit Wheels are not present. Use quantity 2 if Transit Wheels are present.</i>   | 4        |
| 10b         | 102072      | Washer Nylon .234 ID x .406 OD x .062 Thick<br><i>Use quantity 2 if Transit Wheels are present.</i>   | 2        |
| 11          | 102937      | M5 X 14 FHCS, Blk Zn  | 4        |
| 12a         | 103027      | M6 x 80 HHCS, Partial Thread, Blk Zn<br><i>Use quantity 4 if Transit Wheels are not present. Use quantity 2 if Transit Wheels are present</i>   | 4        |
| 12b         | 100704      | M6 x 90 CLS8.8 DIN931 HHCS ZC<br><i>Use quantity 2 if Transit Wheels are present</i>  | 2        |
| 13          | 200427      | M5 x 10 CLS8.8 HHCS ZC w/Patch DIN933   | 2        |

| Item Number | Part Number | Description  | Quantity |
|-------------|-------------|--|----------|
|             | 122921      | Not AS/NZS 3696.19 Compliant On-Chair Label with Instruction | 1        |

| Matte Finish |                     |
|--------------|---------------------|
| Code         | Color Name          |
| CGM          | Charcoal Gray       |
| EGM          | Emerald Green       |
| GGM          | Graphite Gray*      |
| IBM          | Iridescent Burgundy |
| INM          | Iridescent Navy     |
| AGM          | Military Green**    |
| RRM          | Retro Red           |
| RBM          | Royal Blue          |
| SBM          | Shadow Black        |
| SWM          | Smooth White        |

\* Discontinued Color

\*\* Formerly called Army Green

| Gloss Finish |                        |
|--------------|------------------------|
| Code         | Color Name             |
| BLK          | Black                  |
| BLU          | Blue                   |
| SKY          | Blue Skies             |
| BRO          | Bright Orange*         |
| PNK          | Bubblegum Pink         |
| BUR          | Burgundy*              |
| CBL          | Candy Blue             |
| PUR          | Candy Purple           |
| RED          | Candy Red              |
| COP          | Copper                 |
| DPR          | Deep Purple*           |
| EBL          | Electric Blue*         |
| GRN          | Forest Green*          |
| FUS          | Fuchsia*               |
| GSM          | Granny Smith           |
| MTF          | Metallic Fuchsia*      |
| MOR          | Metallic Orange        |
| ORG          | Orange*                |
| SAP          | Sapphire*              |
| SIL          | Silver                 |
| TEA          | Teal                   |
| YLW          | Yellow                 |
| FLM          | Graphic Image Transfer |