

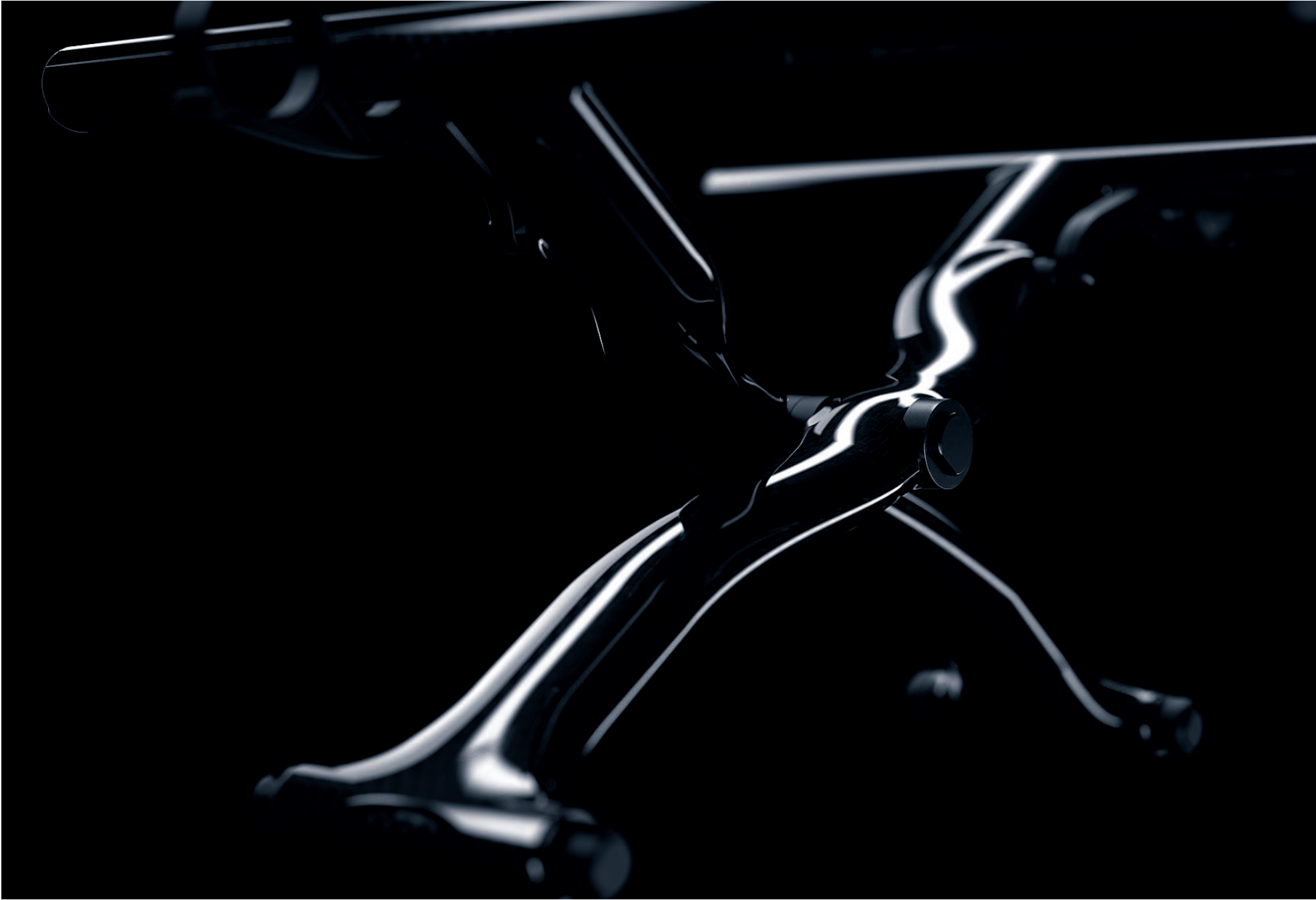


MOTION
COMPOSITES



MANUAL
WHEELCHAIR

OPTIONS AND ACCESSORIES GUIDE





NO MATTER WHAT YOU NEED, WE'VE GOT YOU COVERED

Our manual wheelchair options and accessories guide lets you explore the numerous choices available to tailor your wheelchair to your specific needs, while also offering elegant enhancements that truly reflects who you are.

GO BEYOND

INDEX

06

CASTERS

07

FOOTRESTS/
FOOTPLATES

10

BACK
CANES

12

BACK
UPHOLSTERY

13

ONE ARM
DRIVE

14

REAR
WHEELS

15

TIRES

16

HANDRIMS





18

AXLES



22

SIDE GUARDS



23

POSITIONING BELTS

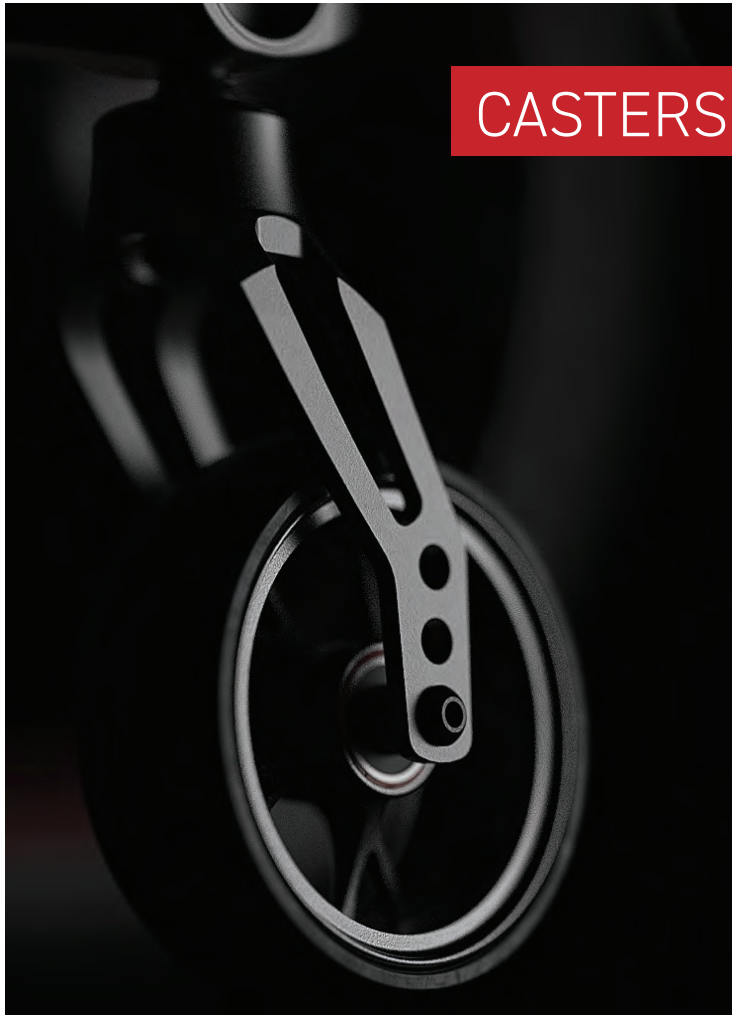
24

ACCESSORIES

26

FRAME COLORS

27 COMPATIBILITY TABLE



CASTERS

OPTION

CA13 →
Carbon fiber Frog Legs
suspension forks – Phase 2



CA01 (3") CA01 (4") CA01 (5") CA01 (6") CA01 (7") CA01 (8")

CA01 →
Composite wheel w/PU tire (1" width)



CA10 (6") CA11 (8")

CA10 →
Pneumatic casters 6" x 1 1/4"

CA11 →
Pneumatic casters 8" x 1 1/4"



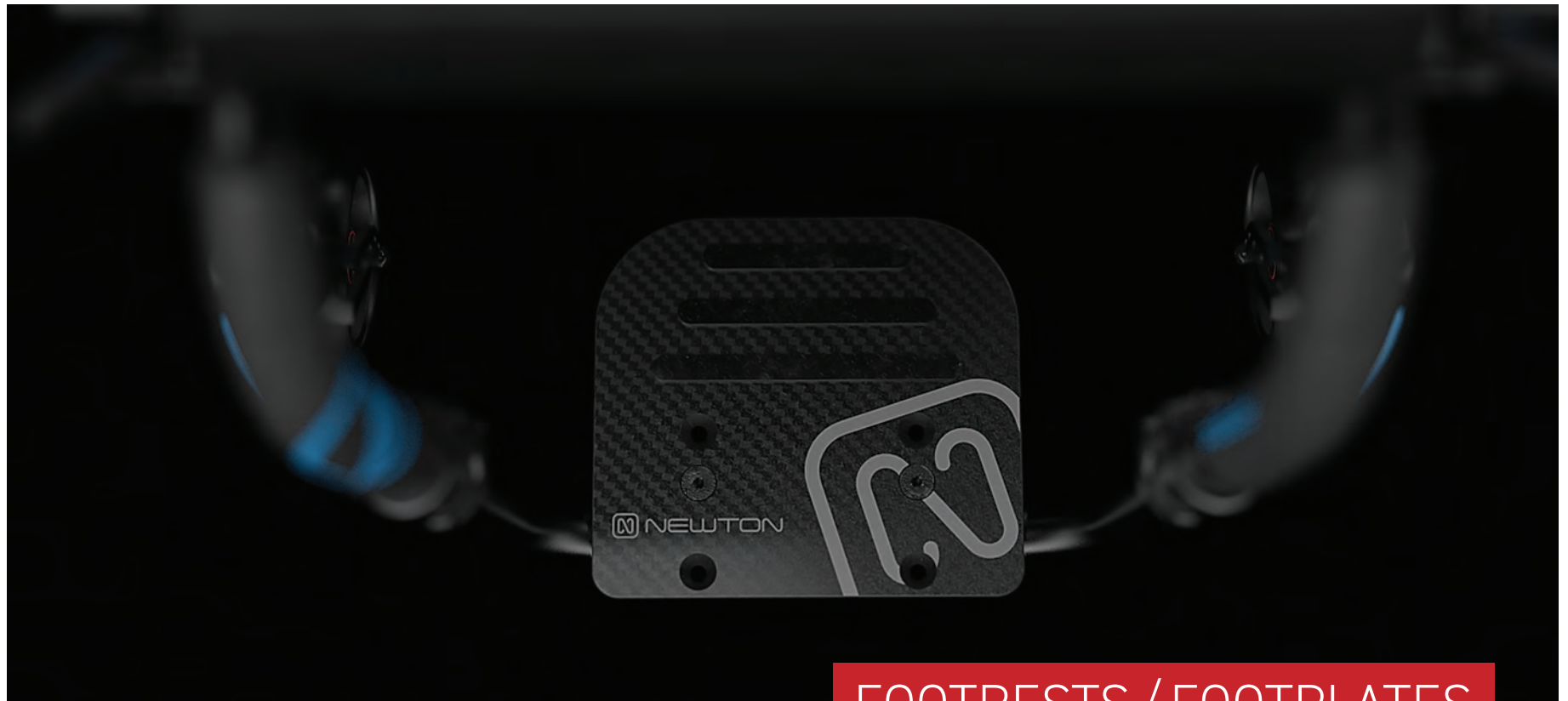
CA14 (4") CA15 (5") CA16 (6")

CA14 to CA16 →
Newton UltraCaster Soft-Roll composite
4", 5", 6" x 1 1/2"



CA17 (4") CA18 (5") CA19 (6")

CA17 to CA19 →
Newton UltraCaster Soft-Roll aluminum
4", 5" 6" x 1 1/2"



FOOTRESTS / FOOTPLATES

RIGID WHEELCHAIR FOOTRESTS



FP12 ↑
Tubular open loop



FP13 ↑
Tubular with ABS footplate



FP31 ↑
Adjustable angle –
Aluminum (one piece)



NEWTON FP32 ↑
Adjustable angle – Carbon fiber with
rubber inserts (one piece)



Flip back position

FP15 ↑

Flip back, adjustable angle – Carbon with rubber inserts (one piece)

FP14 Flip back, adjustable angle – Aluminum (one piece)



FR26 ↑

High mount with adjustable angle footplate – Carbon fiber with rubber inserts (one piece)

FR25 High mount with adjustable angle footplate – Aluminum (one piece)

FOLDING WHEELCHAIR FOOTRESTS



FR03 to FR08, FR15 ↑

Swing-in/swing-out footrest

FR01, FR02 Swing away footrest



FR09 ↑

High mount (footplate attached to the hanger with clamps)



FR10 ↑

Elevating legrest with calf pad, 14"-22" length adjustable



FR27 to FR30 ↑

Residual limb support (flat cushion)



FR32, FR33 ↑

Residual limb support (contoured)

FOOTPLATES



FP01 ↑
Standard – Composite



FP02 ↑
Newton adjustable angle – Aluminum



FP03 ↑
Newton adjustable angle – Composite



FP04 ↑
Newton adjustable angle – Carbon fiber with rubber inserts



FP05 ↑
Newton adjustable angle extra deep – Aluminum



FP06, FP07 ↑
One piece adjustable angle flip-up

Folded position



FP28, FP29 ↑
One piece auto-folding adjustable angle

Folded Position

FOOTREST/FOOTPLATE ACCESSORIES



FP16 ↑
2" riser



FP08 ↑
Length adjustable heel loop



FP09 ↑
Calf strap



FP30 ↑
Bodypoint Aeromesh padded calf strap

BACK CANES

RIGID WHEELCHAIRS

FOLD DOWN BACKRESTS



BC20 ↑
Locking backrest



BC21 ↑
Ultralight non locking backrest
(not locking in upright or
down position)



BC56 ↑
Depth adjustable back
(provides 3" of depth adjustment)

FOLDING WHEELCHAIRS

DEPTH ADJUSTABLE BACK



BC09 ↑ showed
Not available in the US



BC15 ↑ showed

For the complete back canes overview, please refer to the compatibility table on page 28.

BACK CANE OPTIONS

BACKREST OPTIONS



← BC57
Standard 3" deep rigidizer bar - Carbon



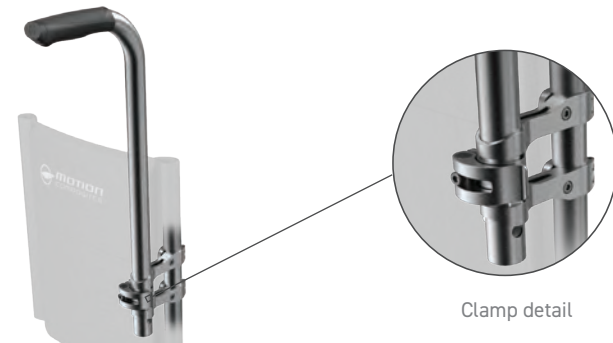
← BC57
Standard 3" deep rigidizer bar - Aluminum
BC55 4" deep rigidizer bar - Aluminum

PUSH HANDLE OPTIONS



Fold down position

PH05 ↑
Fold down push handles



Clamp detail

PH06 ↑
Clamp on height adjustable push handle

STROLLER HANDLE AND STABILIZER OPTIONS



← PH04
Stroller handle
Not available with the HD option

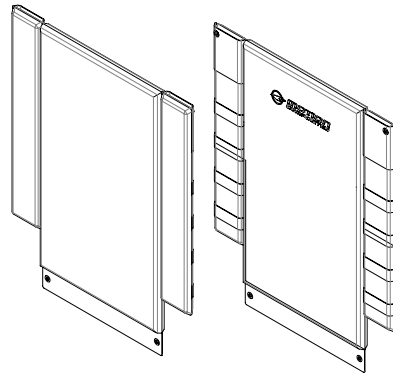


Folded position

← PH03
Newton folding stabilizer bar



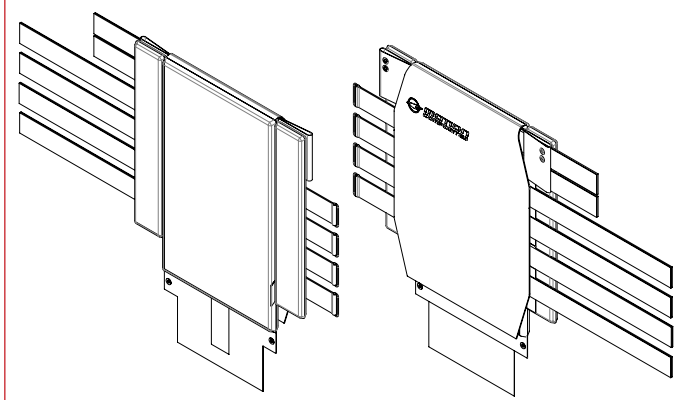
BACK UPHOLSTERY



Front

Back

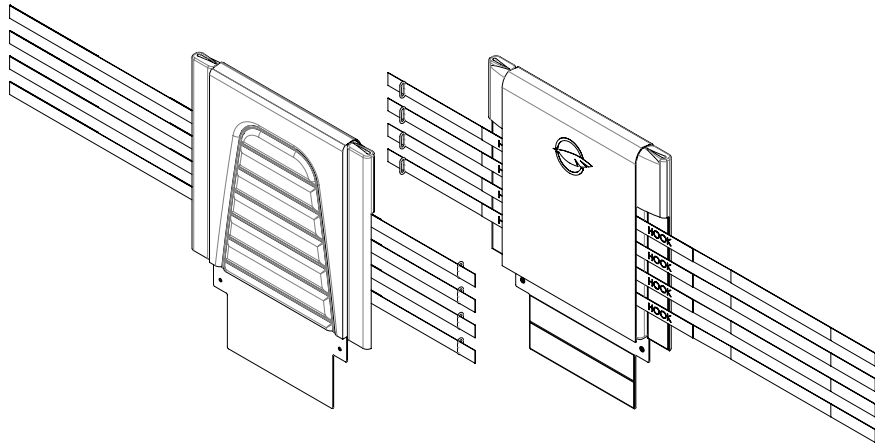
BH05 ↑
Slip-on Nylon back upholstery



Front

Back

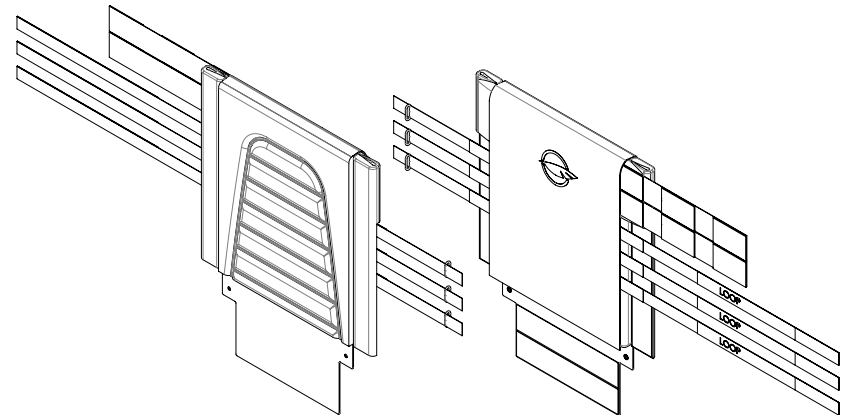
BH06 ↑
Adjustable tension Nylon back upholstery



Front

Back

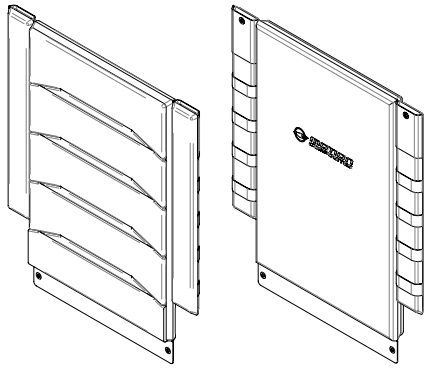
BH03 ↑
Slip-on Syntech-Suede back upholstery



Front

Back

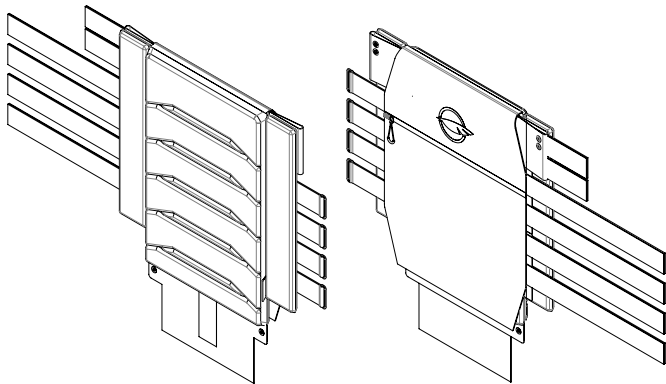
BH04 ↑
Adjustable tension Syntech-Suede back upholstery



Front

Back

BH07 ↑
Slip-on Active-Mesh back upholstery



Front

Back

BH08 ↑
Adjustable tension Active-Mesh back upholstery



ONE ARM DRIVE



HR22 ↑
One arm drive 24"



REAR WHEELS



RW01 ↑
Mag



RW02 ↑
Newton One - Spoke wheel



RW03 ↑
Newton Gravity - Ultralight wheel



RW04 ↑
Spinergy Spox*



RW05 ↑
Spinergy LX*



RW07 ↑
Spinergy CLX Carbon Blade*

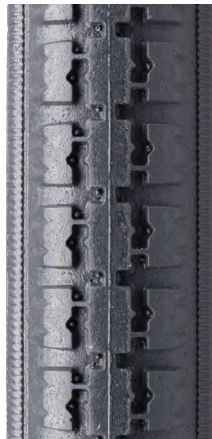
* Different colors are available for the Spinergy rear wheels.



TIRES



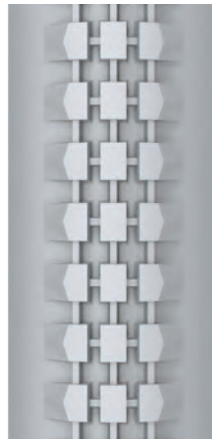
TI01 ↑
Soft Urethane 1 1/4"



TI02 ↑
Soft Urethane -
Knobby 1 3/8"



TI04 ↑
Soft Urethane -
Shox 1"



TI05 ↑
Pneumatic 1 3/8"
TI08 Pneumatic with
Airless insert 1 3/8"




TI06 ↑
Pneumatic HP 1"



TI07 ↑
Pneumatic HP
Schwalbe
Marathon Plus 1"



HANDRIMS

 HR07 to HR18 →
 Newton Air Grip:
 Black, Sunkissed Orange,
 Burgundy, Sapphire Blue,
 Monster Green, Charcoal,
 Fuchsia, Steel Blue,
 Ferrari Red, Acid Green,
 White, Sky Blue



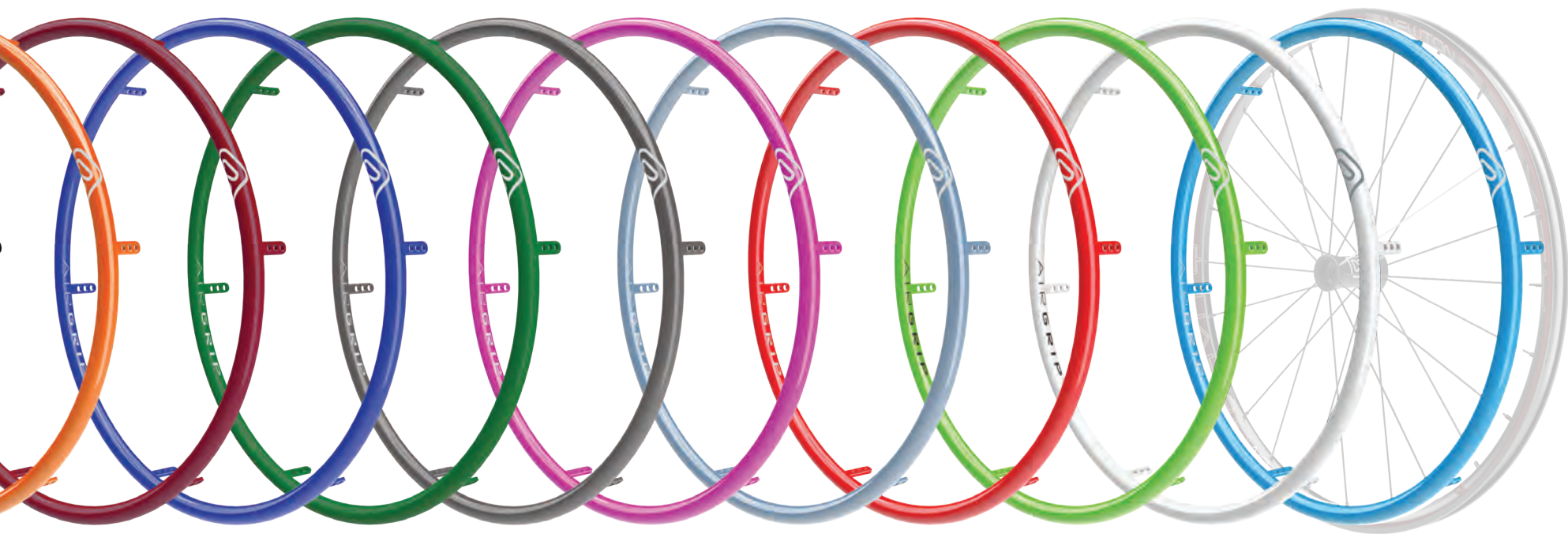
HR01 ↑
 Aluminum anodized
 Black Hard available 11/20



HR02 ↑
 Plastic coated



HR03 ↑
 Q-Grip high friction neoprene coated



Grip detail

HR05 ↑
Surge LT
HR28 Surge



Grip detail

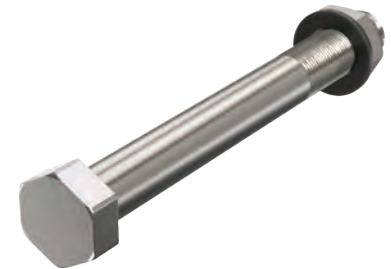
HR04 ↑
Natural Fit (shown with optional
thumb standard grip (HR23))



AXLES



AX01 ↑
Quick release axle



AX02 ↑
Permanent axle



AX03 ↑
Quad release axle




AX04 ↑
Amputee adjustable axle plate

WHEEL LOCKS






 **WL08** ↑
Newton wheel lock – push to lock



WL02 ↑
Pull to lock




 **WL04** ↑
Newton grade aid push to lock (suggested with
pneumatic or high pressure tire)



WL13 ↑
6" removable extension handle for grade-aid
and pull to lock



 **WL14** ↑
6" removable extension handle for
Newton push to lock



← **WL05**
Scissor lock



WL06 ↑
Attendant lock (additional set of wheel lock
mounted to the back)

ARMRESTS



AR02 ↑
Flip back armrest shown with 14" full length arm pad



AR14 ↑
"T" armrest shown with 14" full length arm pad



AR06 ↑
Swing-away armrest with 10" desk length arm pad



AR04 ↑
"T" armrest shown with 14" full length arm pad



AR05 ↑
Swing-away armrest with tubular arm pad

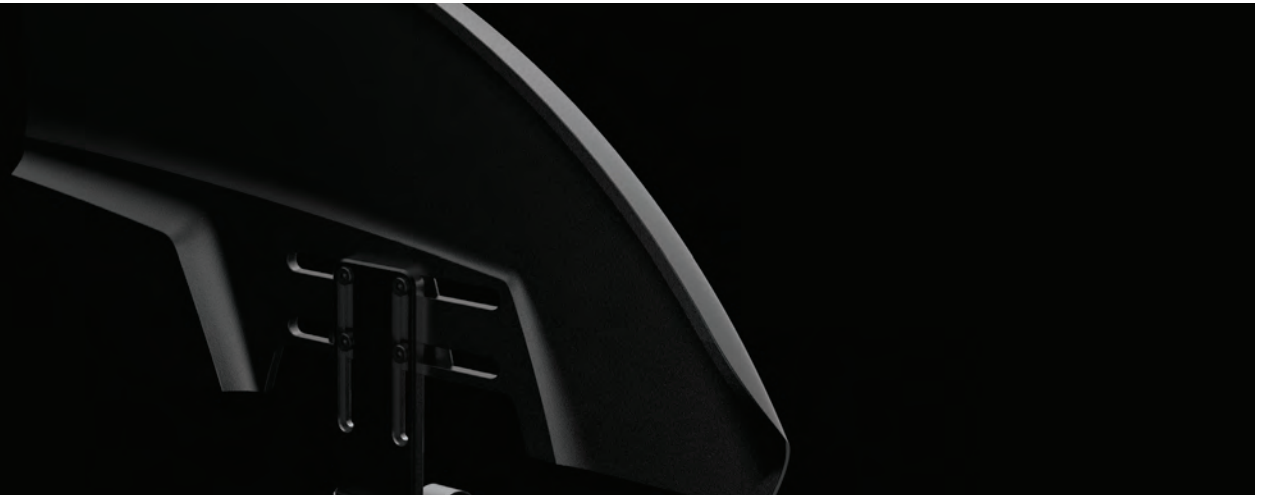


AR07 ↑
Locking flip-up armrest

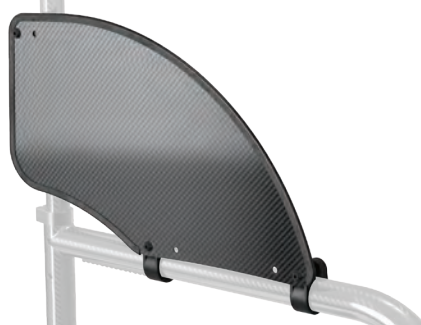


* Most of these armrests are available with the 10" desk length arm pad and with 14" full length arm pad. Please check the availability table on page 30.

SIDE GUARDS



SG01 ↑
Plastic side guards (removable)



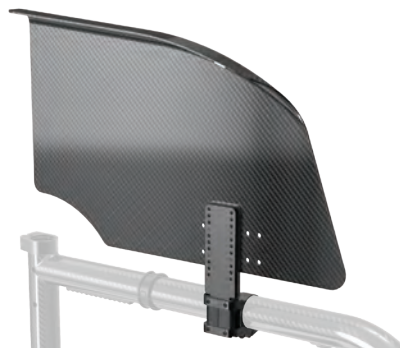
SG02 ↑
Carbon fiber side guards (fixed)



SG03 ↑
Carbon fiber side guards (removable)



SG06 ↑
Plastic fender side guards (removable)



SG04 ↑
Carbon fiber fender side guards (removable)

OPTION



SG07 ↑
Side guards clip

POSITIONING BELTS



SB01 ↑
Velcro adjustable



SB02 ↑
Auto buckle



SB05 ↑
BodyPoint Hip Belt - 2 point padded



SB06 ↑
BodyPoint Hip Belt - 4 point padded

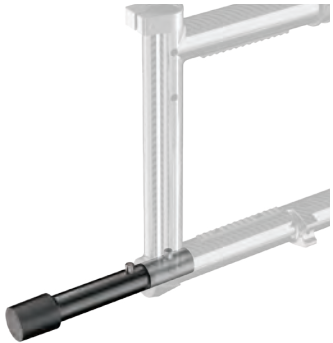


SB08 ↑
BodyPoint EVOFLEX® Positioning Belt Rehab latch and Band Clamps

ACCESSORIES



AC03 ↑
Anti tippers



AC27 ↑
Tip assist

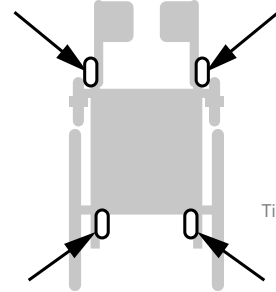


Front

AC04 ↑
Transit tie down (unoccupied)



Rear



Tie down location



AC06 ↑
Cane carrier



AC07 ↑
Oxygen tank holder - E type (left)



AC08 ↑
Spoke guards (pair)



AC09 ↑
Footrest neoprene impact guard (pair) - shown in red



AC10 ↑
Seat pouch



AC26 ↑
BodyPoint mobility bag



AC23 ↑
Newton backpack

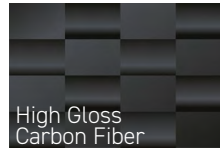


AC13 ↑
Tool kit

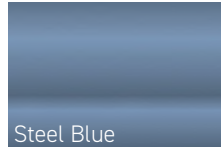
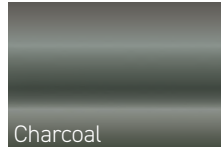
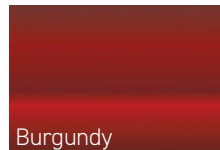


AC16 ↑
Motion Composites polo shirt

FRAME COLORS



FC01 ↑
Black or High Gloss Carbon Fiber
(if carbon fiber frame)



FC03 ↑
Color

FC99 Custom color
Motion Composites can match any desired color

FC10 →
Highlight color
Ferrari Red



FC11 →
Highlight color
White



FC12 →
Highlight color
Black



FC13 →
Highlight color
Sunkissed Orange



FC14 →
Highlight color
Sky Blue



FC15 →
Highlight color
Fuchsia



FC16 →
Highlight color
Acid Green



COMPATIBILITY TABLE

■ AVAILABLE ■ NOT AVAILABLE

APEX **VELOCE** **HELIO C2** **HELIO A7** **HELIO A6** **MOVE**¹ **HELIO KIDS**¹

CASTERS

		APEX	VELOCE	HELIO C2	HELIO A7	HELIO A6	MOVE ¹	HELIO KIDS ¹
CA01	Composite wheel w/PU tire 3", 4", 5", 6", 7", 8" x 1"	■	■	■	■	■	■	■
CA10	Pneumatic casters 6" x 1½"	■	■	■	■	■	■	■
CA11	Pneumatic casters 8" x 1½"	■	■	■	■	■	■	■
☒ CA14 to CA16	Newton UltraCaster Soft-Roll composite 4", 5", 6" x 1½"	■	■	■	■	■	■	■
☒ CA17 to CA19	Newton UltraCaster Soft-Roll aluminum 4", 5", 6" x 1½"	■	■	■	■	■	■	■

CASTER OPTIONS

		APEX	VELOCE	HELIO C2	HELIO A7	HELIO A6	MOVE ¹	HELIO KIDS ¹
CA12	Caster pin lock	■	■	■	■	■	■	■
CA13	Carbon fiber Frog Legs suspension forks Pase 2	■	■	■	■	■	■	■

FOOTRESTS/FOOTPLATES

Rigid wheelchair – Footrests

		APEX	VELOCE	HELIO C2	HELIO A7	HELIO A6	MOVE ¹	HELIO KIDS ¹
FP12	Tubular open loop	■	■	■	■	■	■	■
FP13	Tubular with ABS footplate	■	■	■	■	■	■	■
FP31	Adjustable angle – Aluminum (one piece)	■	■	■	■	■	■	■
FP32	Adjustable angle – Carbon fiber with rubber inserts (one piece)	■	■	■	■	■	■	■
FP14	Flip back, adjustable angle – Aluminum (one piece)	■	■	■	■	■	■	■
FP15	Flip back, adjustable angle – Carbon fiber with rubber inserts (one piece)	■	■	■	■	■	■	■
FR25	High mount with adjustable angle footplate – Aluminum (one piece)	■	■	■	■	■	■	■
FR26	High mount with adjustable angle footplate – Carbon fiber with rubber inserts (one piece)	■	■	■	■	■	■	■

Folding wheelchair – Footrests

		APEX	VELOCE	HELIO C2	HELIO A7	HELIO A6	MOVE ¹	HELIO KIDS ¹
FR01, FR02	Swing away footrest	■	■	■	■	■	■	■
FR03 to FR08, FR15	Swing-in/swing-out footrest	■	■	■	■	■	■	■
FR09	High mount (footplate attached to the hanger with clamps)	■	■	■	■	■	■	■
FR10	Elevating legrest with calf pad, 14"-22" length adjustable	■	■	■	■	■	■	■
FR27 to FR30	Residual limb support (flat cushion)	■	■	■	■	■	■	■
FR32, FR33	Residual limb support (contour cushion)	■	■	■	■	■	■	■

¹ Not available in USA.

Note: The availability of options and accessories may vary depending on your region. Refer to the order form.

Footplates

FP01	Standard – Composite							
FP02	Newton adjustable angle – Composite							
FP03	Newton adjustable angle – Aluminum							
FP04	Newton adjustable angle – Carbon fiber with rubber inserts							
FP05	Newton adjustable angle extra deep – Aluminum							
FP06, FP07	One piece adjustable angle flip-up – Aluminum, carbon fiber with rubber inserts							
FP28, FP29	One piece auto-folding adjustable angle – Aluminum, carbon fiber with rubber inserts							

FOOTPLATE ACCESSORIES

FP16	2" riser							
FP08	Length adjustable heel loop							
FP09	Calf strap							
FP30	Bodypoint Aeromesh padded calf strap							

BACK CANES

Fixed angle back – with integrated fixed height push handles

BC58	Straight aluminum back cane							
BC01	8° bend aluminum back cane							

Adjustable angle back – with integrated fixed height push handles

BC02	8° bend aluminum back cane							
------	----------------------------	--	--	--	--	--	--	--

Fixed angle back – fixed height without option

BC03	Straight carbon fiber back cane							
BC04	8° bend carbon fiber back cane							

Fixed angle back – height adjustable with options

BC06	Straight carbon fiber back cane height adjustable							
BC08	8° bend carbon fiber back cane height adjustable							
BC11	Straight aluminum back cane height adjustable							
BC12	8° bend aluminum back cane height adjustable							

Adjustable angle back – height adjustable with options

BC13	Adjustable angle, straight aluminum back cane							
BC14	Adjustable angle, 8° bend aluminum back cane							
BC09	Angle adjustable, straight carbon fiber back cane							
BC10	Angle adjustable, 8° bend carbon fiber back cane							

Adjustable back – depth and angle adjustable with options

BC15	Straight aluminum back cane							
BC16	8° bend aluminum back cane							

Fold down backrest

BC20	Locking backrest							
BC21	Ultralight non locking backrest (not locking in upright and down position)							

¹ Not available in USA.

Note: The availability of options and accessories may vary depending on your region. Refer to the order form.

Adjustable angle fold down backrest, fixed adjustable without options

		APEX	VELOCE	HELIO C2	HELIO A7	HELIO A6	MOVE	HELIO KIDS
BC22	Straight back canes	■	■	■	■	■	■	■
BC30	Fixed height without push handle	■	■	■	■	■	■	■

BACK CANE OPTIONS

Backrest options

BC57	Standard 3" deep rigidizer bar – Carbon or aluminum	■	■	■	■	■	■	■
BC55	4" Deep aluminum rigidizer bar	■	■	■	■	■	■	■
BC56	Depth adjustable back (provides 3" of depth adjustment)	■	■	■	■	■	■	■

Push handle options

PH01	Push handles	■	■	■	■	■	■	■
PH05	Fold down push handles	■	■	■	■	■	■	■
PH06	Clamp on height adjustable push handles	■	■	■	■	■	■	■

Stroller handle and stabilizer bar

PH04	Stroller handle (not available with the HD option)	■	■	■	■	■	■	■
PH03	Newton folding stabilizer bar	■	■	■	■	■	■	■

BACK UPHOLSTERY

BH05	Slip-on Nylon back upholstery	■	■	■	■	■	■	■
BH06	Adjustable tension Nylon back upholstery	■	■	■	■	■	■	■
BH03	Slip-on Syntech-Suede back upholstery	■	■	■	■	■	■	■
BH04	Adjustable tension Syntech-Suede back upholstery	■	■	■	■	■	■	■
BH07	Slip-on Active-Mesh back upholstery	■	■	■	■	■	■	■
BH08	Adjustable tension Active-Mesh back upholstery	■	■	■	■	■	■	■

ONE ARM DRIVE

HR22	One arm drive 24"	■	■	■	■	■	■	■
------	-------------------	---	---	---	---	---	---	---

REAR WHEELS

RW01	Mag	■	■	■	■	■	■	■
RW02	Newton One – spoke wheel	■	■	■	■	■	■	■
RW03	Newton Gravity – ultralight wheel	■	■	■	■	■	■	■
RW04	Spinergy Spox	■	■	■	■	■	■	■
RW05	Spinergy LX	■	■	■	■	■	■	■
RW07	Spinergy CLX Carbon Blade	■	■	■	■	■	■	■

TIRES

TI01	Soft Urethane 1½"	■	■	■	■	■	■	■
TI02	Soft Urethane Knobby 1¾"	■	■	■	■	■	■	■
TI04	Soft Urethane – Shox 1"	■	■	■	■	■	■	■
TI05	Pneumatic 1¾"	■	■	■	■	■	■	■
TI08	Pneumatic with Airless insert 1¾"	■	■	■	■	■	■	■
TI06	Pneumatic HP 1"	■	■	■	■	■	■	■
TI07	Pneumatic HP – Schwalbe Marathon Plus 1"	■	■	■	■	■	■	■

HANDRIMS

HR01	Aluminum anodized	■	■	■	■	■	■	■
☒ HR07 to HR18	Newton Air Grip <i>Black, Sunkissed Orange, Burgundy, Sapphire Blue, Monster Green, Charcoal, Fuchsia, Steel Blue, Ferrari Red, Acid Green, White, Sky Blue</i>	■	■	■	■	■	■	■
HR02	Plastic coated	■	■	■	■	■	■	■
HR03	Q-Grip High friction Neoprene coated	■	■	■	■	■	■	■
HR28	Surge	■	■	■	■	■	■	■
HR05	Surge LT	■	■	■	■	■	■	■
HR04	Natural Fit (shown with optional thumb standard grip HR23)	■	■	■	■	■	■	■

AXLES

AX01	Quick release axle	■	■	■	■	■	■	■
AX02	Permanent axle	■	■	■	■	■	■	■
AX03	Quad release axle	■	■	■	■	■	■	■
AX04	Amputee adjustable axle plate	■	■	■	■	■	■	■

WHEEL LOCKS

☒ WL08	Newton wheel lock – push to lock	■	■	■	■	■	■	■
WL02	Pull to lock	■	■	■	■	■	■	■
☒ WL04	Newton grade aid push to lock (suggested with pneumatic or high pressure tire)	■	■	■	■	■	■	■
WL13	6" removable extension handle for grade-aid and pull to lock	■	■	■	■	■	■	■
WL14	6" removable extension handle for Newton push to lock	■	■	■	■	■	■	■
WL05	Scissor Lock	■	■	■	■	■	■	■
WL06	Attendant Lock (additional set of wheel lock mounted to the back)	■	■	■	■	■	■	■

ARMRESTS

AR01	Height adjustable flip back armrest (convertible to "T" armrest) 10" desk length arm pad	■	■	■	■	■ ²	■	■
AR02	Height adjustable flip back armrest (convertible to "T" armrest) 14" full length arm pad	■	■	■	■	■ ²	■	■
AR03/AR13	Height adjustable "T" armrest, 10" desk length arm pad	■	■	■	■	■	■	■
AR04/AR14	Height adjustable "T" armrest, 14" full length arm pad	■	■	■	■	■	■	■
AR05	Height adjustable swing-away armrest, tubular arm pad	■	■	■	■	■	■	■
AR06	Height adjustable swing-away armrest, 10" desk length arm pad	■	■	■	■	■	■	■
AR07	Locking flip-up armrest	■	■	■	■	■	■	■
AR12	14" full length armrest gel pad	■	■	■	■	■	■	■

SIDE GUARDS

SG01	Plastic side guards (removable)	■	■	■	■	■	■	■
SG02	Carbon fiber side guards (fixed)	■	■	■	■	■	■	■

¹ Not available in USA. ² Not available in Canada

Note: The availability of options and accessories may vary depending on your region. Refer to the order form.

		APEX	VELOCE	HELIO C2	HELIO A7	HELIO A6	MOVE ¹	HELIO KIDS ¹
SG03	Carbon fiber side guards (removable)	■	■	■	■	■	■	■
SG06	Plastic fender side guards (removable)	■	■	■	■	■	■	■
SG04	Carbon fiber fender side guards (removable)	■	■	■	■	■	■	■
SG07	Side guards clip	■	■	■	■	■	■	■

POSITIONING BELTS

SB01	Velcro adjustable	■	■	■	■	■	■	■
SB02	Auto buckle	■	■	■	■	■	■	■
SB04	BodyPoint Hip Belt – 2 point not padded	■	■	■	■	■	■	■
SB05	BodyPoint Hip Belt – 2 point padded	■	■	■	■	■	■	■
SB06	BodyPoint Hip Belt – 4 point padded	■	■	■	■	■	■	■
SB08	BodyPoint EVOFLEX® Positioning Belt Rehab latch and Band Clamps	■	■	■	■	■	■	■

HEADRESTS

AC01	Profiled headrest	■	■	■	■	■	■	■
AC28	Headrest mounting hardware with stabilizer bar	■	■	■	■	■	■	■

ACCESSORIES

AC03	Anti tippers	■	■	■	■	■	■	■
AC27	Tip assist	■	■	■	■	■	■	■
AC04	Transit tie down (unoccupied)	■	■	■	■	■	■	■
AC05	WC-19 transit tie down w/Q'straint belt	■	■	■	■	■	■	■
AC06	Cane carrier	■	■	■	■	■	■	■
AC07	Oxygen tank holder – E type (left)	■	■	■	■	■	■	■
AC08	Spoke guards (pair)	■	■	■	■	■	■	■
AC09	Footrest neoprene impact guard (pair) – Available with various APEX A color frames	■	■	■	■	■	■	■
AC10	Seat pouch	■	■	■	■	■	■	■
AC26	BodyPoint mobility bag	■	■	■	■	■	■	■
AC12	Velcro closing strap	■	■	■	■	■	■	■

FRAME COLORS

FC01	Black or carbon fiber black (if carbon fiber frame)	■	■	■	■	■	■	■
FC03	Sunkissed Orange, Burgundy, Sapphire Blue, Monster Green, Charcoal, Fuchsia, Steel Blue, Ferrari Red, Acid Green	■	■	■	■	■	■	■
FC10	Highlight color Ferrari Red	■	■	■	■	■	■	■
FC11	Highlight color White	■	■	■	■	■	■	■
FC12	Highlight color Black	■	■	■	■	■	■	■
FC13	Highlight color Sunkissed Orange	■	■	■	■	■	■	■
FC14	Highlight color Sky Blue	■	■	■	■	■	■	■
FC15	Highlight color Fuchsia	■	■	■	■	■	■	■
FC16	Highlight color Acid Green	■	■	■	■	■	■	■
FC99	Custom color	■	■	■	■	■	■	■

GO BEYOND!

Who we are: passionate innovators pushing the boundaries of what is possible. **What we do:** combine leading-edge engineering with innovative materials to create movement. **What makes us proud:** having our ultralight wheelchairs echo the love of life their users demonstrate each day.

Through our unique approach and distinct attitude, our aim is to enhance lives, nourish a sense of freedom and revolutionize the way people see wheelchairs.

LEARN MORE To learn and find more information regarding our products, options and accessories, visit our website at motioncomposites.com



T 1 (866) 650-6555

F 1 (888) 966-6555

motioncomposites.com

