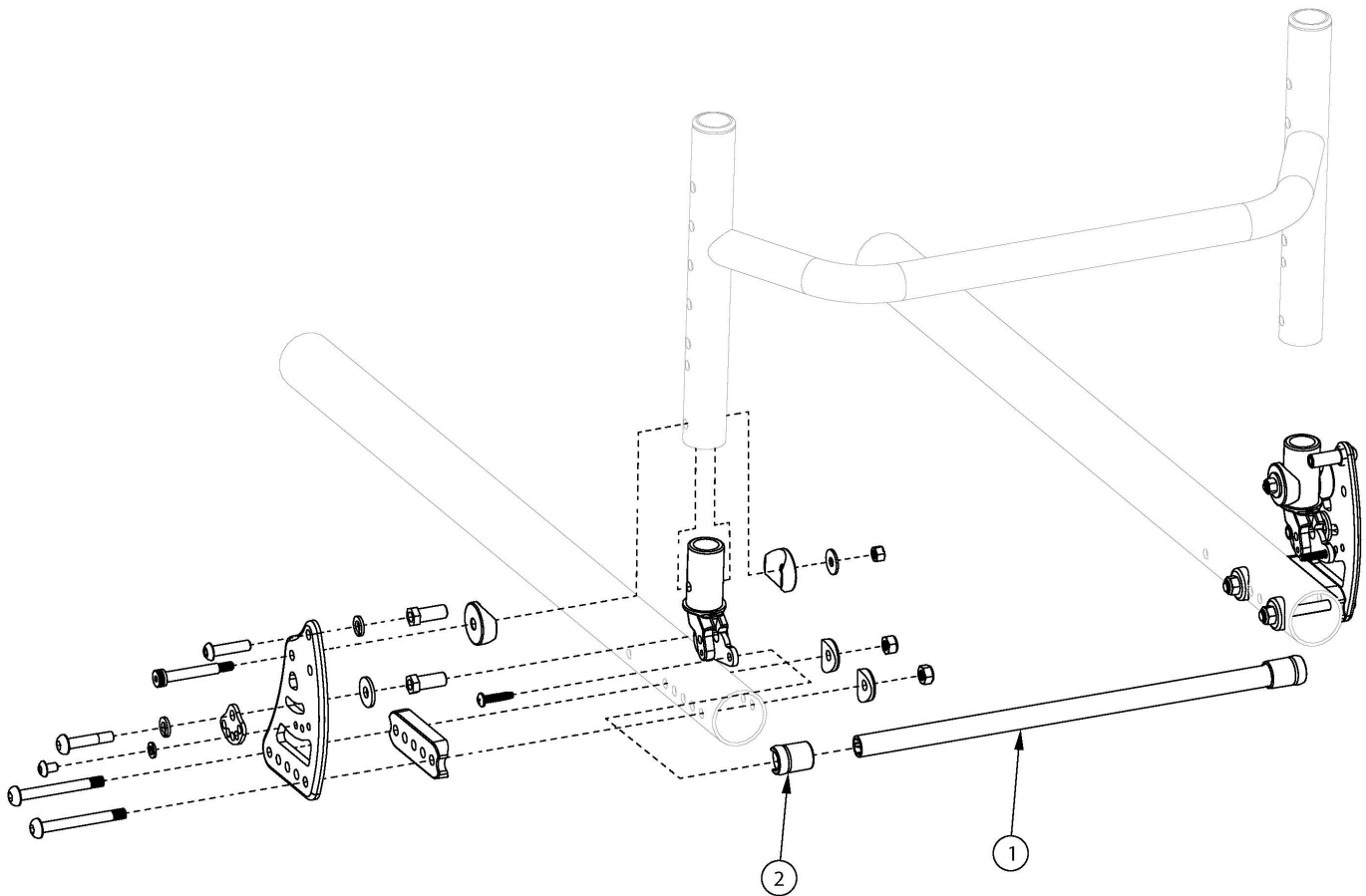


# Rogue Backrest Mount and Hardware - Growth



*This Rogue Backrest Mount and Hardware is effective starting with serial number RG0016612. <p>*

*If quoting growth parts for a Discontinued Rogue with XP option, see Discontinued Rogue Backrest Mount and Hardware - Growth page. If you have a Rogue XP, see the Rogue XP Backrest Mount pages.*

Item Number	Part Number	Description	Quantity	Retail
1a, 2	107190	Backrest Release Bar Kit, 12" Wide, Black Anodized with Backrest Release Bar Ends	1	\$28.12
1b, 2	107191	Backrest Release Bar Kit, 13" Wide, Black Anodized with Backrest Release Bar Ends	1	\$28.12
1c, 2	107192	Backrest Release Bar Kit, 14" Wide, Black Anodized with Backrest Release Bar Ends	1	\$28.12
1d, 2	107193	Backrest Release Bar Kit, 15" Wide, Black Anodized with Backrest Release Bar Ends	1	\$28.12
1e, 2	107194	Backrest Release Bar Kit, 16" Wide, Black Anodized with Backrest Release Bar Ends	1	\$28.12
1f, 2	107195	Backrest Release Bar Kit, 17" Wide, Black Anodized with Backrest Release Bar Ends	1	\$28.12
1g, 2	107196	Backrest Release Bar Kit, 18" Wide, Black Anodized with Backrest Release Bar Ends	1	\$28.12
1h, 2	107197	Backrest Release Bar Kit, 19" Wide, Black Anodized with Backrest Release Bar Ends	1	\$28.12

Item Number	Part Number	Description	Quantity	Retail
1i, 2	107198	Backrest Release Bar Kit, 20" Wide, Black Anodized with Backrest Release Bar Ends	1	\$28.12