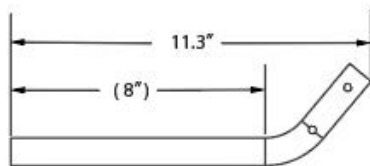
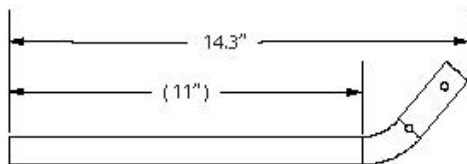


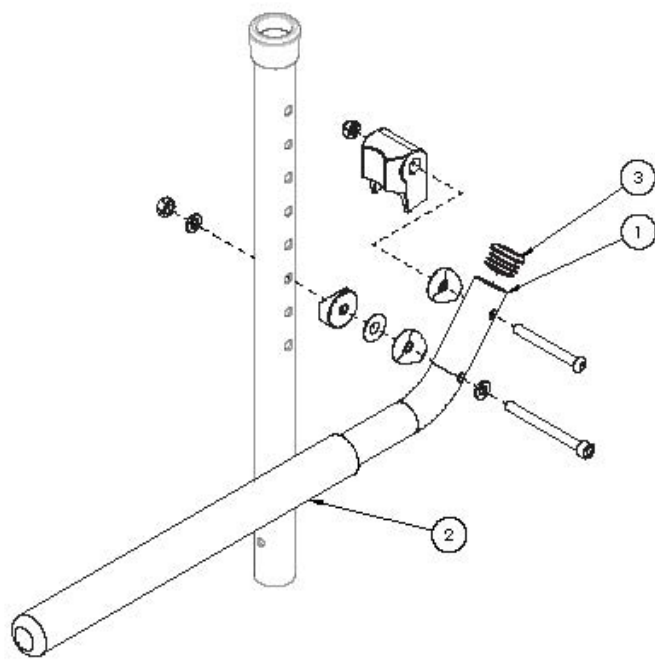
Tubular Flip Up Armrest - Growth



Short Flip Up Armrest



Standard Flip Up Armrest



If 10" - 14" deep chair (without a Therafin Tray) has Tubular Flip Up Arms and is growing in depth to 15" or greater, new Tubular Flip Up Armrest Tube Assemblies are required (part number 501250)

Item Number	Part Number	Description	Quantity
1a, 2, 3	501250	Tubular Flip Up Armrest Tube Assembly	1
1b, 2, 3	501251	Tubular Flip Up Armrest Tube Assembly Short <i>Used if chair depth is 10"-14" and Therafin Tray is not present</i>	1