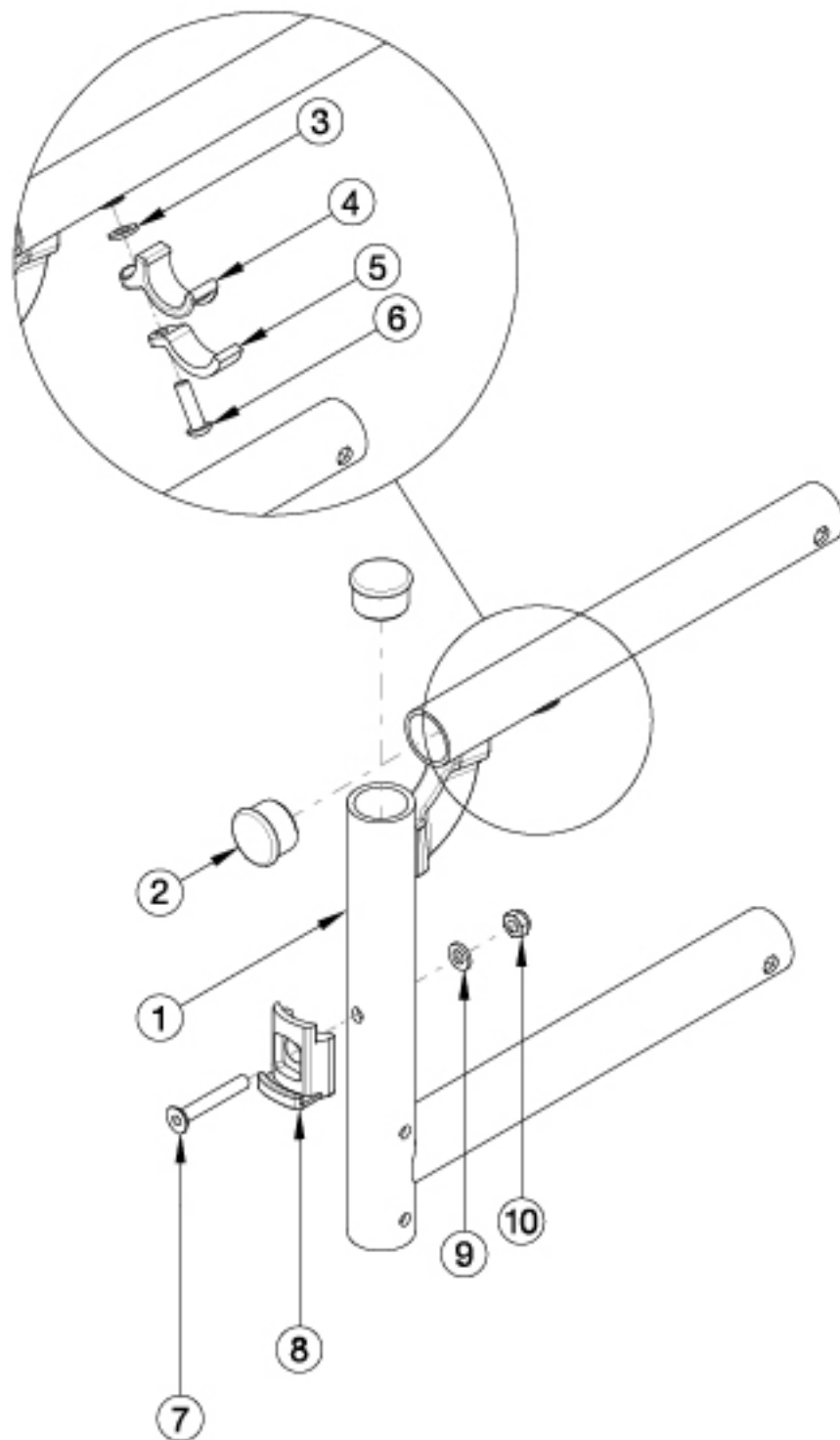


Catalyst 5Ti Swing Away Front Frame



16" and 18" seat depths use the same front frames. 17" and 19" seat depths use the same front frames. Frame assemblies are based on Seat Depth. If switching to a new Seat Depth, new Height Adjustable T-Arms or Height Adjustable Flip Back T-Arms may be needed. If chair has Flip Back or the discontinued Height Adjustable Flip Back armrests, select a frame assembly with the Flip Back Arm Modification. This modification does not apply to Height Adjustable Flip Back T-Arms. If retrofitting from a Fixed Front Frame, new caster housings and attaching hardware is required.

| Item Number | Part Number | Description | Quantity |
|-------------|-------------|---|----------|
| 3, 4, 5, 6 | 501005 | Seat Hook and Support Hardware Kit, Standard, Catalyst <i>This kit contains quantity of 1 each</i> | 1 |
| 1a, 2 | 100270 | Frame Assembly, Catalyst Ti Front, Left 14 | 1 |
| 1b, 2 | 100271 | Frame Assembly, Catalyst Ti Front, Left 15 | 1 |
| 1c, 2 | 100272 | Frame Assembly, Catalyst Ti Front, Left 16 | 1 |
| 1d, 2 | 100273 | Frame Assembly, Catalyst Ti Front, Left 17 | 1 |
| 1e, 2 | 501639 | Frame Assembly, Catalyst Ti Front, Left 18 | 1 |
| 1f, 2 | 501640 | Frame Assembly, Catalyst Ti Front, Left 19 | 1 |
| 1g, 2 | 100274 | Frame Assembly, Catalyst Ti Front, Left 20 | 1 |
| 1h, 2 | 100279 | Frame Assembly, Catalyst Ti Front, Right 14 | 1 |
| 1i, 2 | 100280 | Frame Assembly, Catalyst Ti Front, Right 15 | 1 |
| 1j, 2 | 100281 | Frame Assembly, Catalyst Ti Front, Right 16 | 1 |
| 1k, 2 | 100282 | Frame Assembly, Catalyst Ti Front, Right 17 | 1 |
| 1l, 2 | 501641 | Frame Assembly, Catalyst Ti Front, Right 18 | 1 |
| 1m, 2 | 501642 | Frame Assembly, Catalyst Ti Front, Right 19 | 1 |
| 1n, 2 | 100283 | Frame Assembly, Catalyst Ti Front, Right 20 | 1 |
| 1c, 2 | 114361 | Frame Assembly, Catalyst Ti Front with Flip Back Arm Modification, Left 16 | 1 |
| 1d, 2 | 114362 | Frame Assembly, Catalyst Ti Front with Flip Back Arm Modification, Left 17 | 1 |
| 1e, 2 | 114389 | Frame Assembly, Catalyst Ti Front with Flip Back Arm Modification, Left 18 | 1 |
| 1f, 2 | 114390 | Frame Assembly, Catalyst Ti Front with Flip Back Arm Modification, Left 19 | 1 |
| 1g, 2 | 114363 | Frame Assembly, Catalyst Ti Front with Flip Back Arm Modification, Left 20 | 1 |
| 1j, 2 | 114366 | Frame Assembly, Catalyst Ti Front with Flip Back Arm Modification, Right 16 | 1 |
| 1k, 2 | 114367 | Frame Assembly, Catalyst Ti Front with Flip Back Arm Modification, Right 17 | 1 |
| 1l, 2 | 114391 | Frame Assembly, Catalyst Ti Front with Flip Back Arm Modification, Right 18 | 1 |
| 1m, 2 | 114392 | Frame Assembly, Catalyst Ti Front with Flip Back Arm Modification, Right 19 | 1 |
| 1n, 2 | 114368 | Frame Assembly, Catalyst Ti Front with Flip Back Arm Modification, Right 20 | 1 |
| 2 | 100804 | Tube End Plug 1" | 1 |
| 3 | 100831 | 1/2" Washer OD .040" Thick | 1 |

| Item Number | Part Number | Description | Quantity |
|-------------|-------------|-------------------------------------|----------|
| 4 | 000003 | Seat Hook, Catalyst | 1 |
| 5 | 000004 | Seat Hook Support, Catalyst | 1 |
| 6 | 100668 | M6 x 20 CLS10.9 BTN SHCS ZC w/Patch | 1 |
| 7 | 101819 | M6 x 40 FHCS Blk Zn | 1 |
| 8 | 000336 | Latch Block | 1 |
| 9 | 100746 | M6 Flat Washer Blk Zn | 1 |
| 10 | 100658 | M6 Nylock Nut Blk Zn | 1 |

| Code | Color Name |
|---------------------|------------------------|
| Matte | |
| AGM | Army Green |
| EGM | Emerald Green |
| GGM | Graphite Gray |
| IBM | Iridescent Burgundy |
| INM | Iridescent Navy |
| RRM | Retro Red |
| RBM | Royal Blue |
| SBM | Shadow Black |
| SWM | Smooth White |
| Gloss | |
| BLK | Black |
| SKY | Blue Skies |
| PNK | Bubblegum Pink |
| CBL | Candy Blue |
| PUR | Candy Purple |
| RED | Candy Red |
| COP | Copper |
| FUS | Fuchsia |
| GSM | Granny Smith |
| ORG | Orange |
| FLM | Graphic Image Transfer |
| Discontinued | |
| BLU | Blue |
| BUR | Burgundy |
| EBL | Electric Blue |
| GRN | Forest Green |
| SAP | Sapphire |
| GRY | Slate Gray |