



# Zippie IRIS SE

## January 2025

EIZ5A

Date: _____ Dealer Acct #: _____ Dealer: _____ Dealer Contact: _____ Dealer Address: _____ Dealer City: _____ ST: _____ ZIP: _____ Dealer Phone: ( ) _____ Fax: ( ) _____  Confirm Via: <input type="checkbox"/> Fax <input type="checkbox"/> Email Mark For: _____	<b>SUBMITTING FOR:</b> <input type="checkbox"/> Quote <input type="checkbox"/> Order  PO#: _____ Ship To: _____ Attention: _____ Address: _____ Address: _____ Ship To City: _____ ST: _____ ZIP: _____ Ship To Phone: ( ) _____ Fax: ( ) _____
--	---

The HCPCS CODES herein are based on PDAC verification or interpretation of Medicare definitions and guidelines. Non-Medicare payers may accept alternative HCPCS CODES, including misc. codes to ensure access for their enrollees. The use of HCPCS CODES does not ensure coverage or payment.

✓	Option #	HCPCS	Definition	Price	✓	Option #	HCPCS	Definition	Price
---	----------	-------	------------	-------	---	----------	-------	------------	-------

### 1. FRAME

#### Base Model

Maximum user weight is 225 lbs.

Maximum weight capacity for Z-Finity footrests is 165 lbs.

<input type="checkbox"/>	188WM69	E1233	Zippie IRIS SE Transit Optional <i>True Fit Growth not included</i>	\$3,094
<input type="checkbox"/>	188WM92	E1234	Zippie IRIS SE Folding Transit Optional <i>True Fit Growth not included</i> <i>N/A with Mono Back or Rocker Cover</i>	\$3,306

Note: HCPCS Codes shown as submitted. Some sizes fit other HCPCS codes i.e. 15-18" widths = E1161

#### Frame Struts (Rigid Frames Only)

<input type="checkbox"/>	188GY01		Fixed Struts <i>Growth thru kits</i> <i>N/A w/ Folding Frame</i>	STD
<input type="checkbox"/>	188GY02		Width Adjusting System <i>Built in growth of 2"</i> <i>N/A w/ Mono Back or Folding</i>	\$52

#### Frame Options

<input type="checkbox"/>	188FT46		Contracture Seat Frame <i>N/A w/10" Frame Depth or Folding Frame</i>	NC
<input type="checkbox"/>	188FS29		Battery Tray <i>N/A w/ 10" &amp; 11" frame widths, foot wheel lock or Folding Frame</i>	\$583

#### Transit (For use when Transit Optional frame is selected)

<input type="checkbox"/>	188TO45	K0108	Transit Optional	\$374
--------------------------	---------	-------	------------------	-------

#### Tilt Release Options

<input type="checkbox"/>	188TT8		Foot Release <i>N/A with Vent and Battery Tray.</i> <i>May limit folded width, folding frame defaults to right side</i> <input type="checkbox"/> Left <input type="checkbox"/> Right ( <i>facing from rear</i> )	NC
<input type="checkbox"/>	188TT12		Dual Trigger Cable Release	NC

#### Pre-Set Tilt Angle (55° range) (Default in Bold, N/A w/ reclining back)

<input type="checkbox"/>	188TA5		-5° to 50° <i>N/A with 12.5" STFH</i>	NC
<input type="checkbox"/>	<b>188TA6</b>		<b>0° to 55°</b>	<b>STD</b>
<input type="checkbox"/>	188TA7		+5° to 60°	NC

#### Pre-Set Tilt Angle (40° range) (Default in Bold)

<input type="checkbox"/>	188TA8		-5° to 35° <i>N/A with 12.5" STFH</i>	NC
<input type="checkbox"/>	<b>188TA9</b>		<b>0° to 40°</b>	<b>STD</b>
<input type="checkbox"/>	188TA10		+5° to 45°	NC

### 2. SIZE / SEATING

#### Frame Width (Personalized set-up on 17" & 18" folding frame thru B4Me)

<input type="checkbox"/>	188W1		10" - <i>N/A w/ Mono Backrest</i>	NC
<input type="checkbox"/>	188W2		11" - <i>N/A w/ Mono Backrest</i>	NC
<input type="checkbox"/>	188W3		12"	NC
<input type="checkbox"/>	188W4		13"	NC
<input type="checkbox"/>	188W5		14"	STD
<input type="checkbox"/>	188W6		15"	NC
<input type="checkbox"/>	188W7		16" - <i>Folding Frame Grows to 18"</i>	NC
<input type="checkbox"/>	188W8		17" - <i>Folding Frame Grows to 18"</i>	NC
<input type="checkbox"/>	188W9		18" - <i>No Growth w/ Folding Frame</i>	NC

#### Seats

<input type="checkbox"/>	188ST35	E2231	Seat Pan-Growable <i>Some limits may exist. See Page 9 for matrix of offering</i>	\$234
<input type="checkbox"/>	188ST36	E2231	Drop Seat Pan	\$234
<input type="checkbox"/>	188ST54		Omit Seat Pan	STD

#### Made to Order Seating

For best seating to wheelchair integration, utilize universal hardware.

<input type="checkbox"/>	188QC01		JAY SureFit	
<input type="checkbox"/>	188QC02		JAY AES / ConfigureFit	
<input type="checkbox"/>	188QC03		JAY Fit	

#### JAY Cushions (Optional)

To order any JAY cushions on-chair, please see the JAY price list. Cushion name or part number must be filled out with desired width and depth.

<input type="checkbox"/>	188JC20		<b>JAY Bundled Cushion</b>	
			Name / Part #	Price List
			Width: _____ Depth: _____	

**2. SIZE / SEATING CONT.**

**Frame Depth**

(Choose Selections from A OR B)

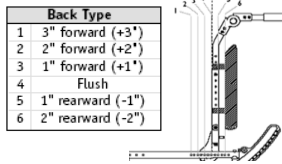
**Selection A: Frame Depth Set up By Zippie**

**Desired Seat Depth**

- 10"     11"     12"     13"     14"  
 15"     16"     17"     18"

**Back Type**

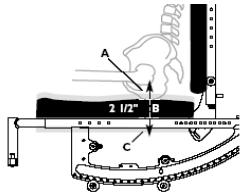
- 3"     2"     1"  
 Flush     -1"     -2"



This section determines frame length

**Top of Cushion to Seat Rail**

- 2 1/2" or Greater (A)  
 Less than 2 1/2" - STD (B)  
 Below Seat Rail (C)



**Selection B: Frame Depth Range**

<input type="checkbox"/>	188SN01	Short Seat Frame 10"-14"	NC
<input type="checkbox"/>	188SN02	Medium Seat Frame 12"-16"	NC
<input type="checkbox"/>	188SN03	Long Seat Frame 14"-18"	NC

**Selection B: Frame Depth**

<input type="checkbox"/>	188FD1	10" rec. w/ Short Seat Frame N/A with Contracture Footrest System	NC
<input type="checkbox"/>	188FD2	11" rec. w/ Short Seat Frame	NC
<input type="checkbox"/>	188FD3	12" rec. w/ Short Seat Frame	NC
<input type="checkbox"/>	188FD4	13" rec. w/ Med. Seat Frame	NC
<input type="checkbox"/>	188FD5	14" rec. w/ Med. Seat Frame	NC
<input type="checkbox"/>	188FD6	15" rec. w/ Med. Seat Frame	NC
<input type="checkbox"/>	188FD7	16" rec. w/ Long Seat Frame	NC
<input type="checkbox"/>	188FD8	17" rec. w/ Long Seat Frame	NC
<input type="checkbox"/>	188FD9	18" rec. w/ Long Seat Frame	NC

Select from A OR B

**3. CASTERS / SEAT HEIGHT**

**Caster Wheel**

<input type="checkbox"/>	188CW31	4" Micro Light Up - N/A with Folding	\$82
<input type="checkbox"/>	188CW73	4" x 1.25" Semi-Pneumatic -N/A w/ Folding	NC
<input type="checkbox"/>	188CW51	5" Micro Light Up	\$100
<input type="checkbox"/>	188CW5	5" Low-Profile Polyurethane	STD
<input type="checkbox"/>	188CW7	E2219 5" x 1.5" Semi-Pneumatic	\$100
<input type="checkbox"/>	188CW33	E2214 E2215 6" Pneumatic	\$88
<input type="checkbox"/>	188CW34	6" Polyurethane	NC
<input type="checkbox"/>	188CW35	E2219 6" x 1.5" Semi-Pneumatic	\$100
<input type="checkbox"/>	188CW21	E2214 E2215 8" Pneumatic	\$100
<input type="checkbox"/>	188CW32	8" Polyurethane	NC
<input type="checkbox"/>	188CW39	E2219 8" x 1.5" Semi-Pneumatic	\$100
<input type="checkbox"/>	188CW36	E2214 E2215 8" x 2" Pneumatic	\$169
<input type="checkbox"/>	188CW37	E2214 K0108 8" x 2" Pneumatic w/Airless Insert	\$263

Please call customer service for 13.25" on a 12" RW and 4" Caster (Rigid only)

Rear Wheel Size	CASTER SIZE							
	4"	5"	6"	8"x1"	8"x1.5"	8"x2"		
<input type="checkbox"/> 12"	<input type="checkbox"/> 13.0"	<input type="checkbox"/> 16.0"	<input type="checkbox"/> 16.0"	N/A	N/A	N/A		
	N/A	<input type="checkbox"/> 16.5"	<input type="checkbox"/> 16.5"	<input type="checkbox"/> 17.0"	<input type="checkbox"/> 17.0"	<input type="checkbox"/> 17.0"		
		<input type="checkbox"/> 17.0"	<input type="checkbox"/> 17.0"				<input type="checkbox"/> 17.5"	<input type="checkbox"/> 17.5"
<input type="checkbox"/> 12" Low Poly	N/A	<input type="checkbox"/> 15.0"	<input type="checkbox"/> 15.0"	N/A	N/A	N/A		
		<input type="checkbox"/> 15.5"	<input type="checkbox"/> 15.5"					
		<input type="checkbox"/> 16.0"	<input type="checkbox"/> 16.0"					
<input type="checkbox"/> 16"	N/A	<input type="checkbox"/> 13.5"	N/A	<input type="checkbox"/> 16.5"	<input type="checkbox"/> 16.5"	<input type="checkbox"/> 16.5"		
		<input type="checkbox"/> 14.0"	<input type="checkbox"/> 14.5"					
		<input type="checkbox"/> 14.5"	<input type="checkbox"/> 17.0"				<input type="checkbox"/> 17.5"	<input type="checkbox"/> 17.5"
		<input type="checkbox"/> 17.5"	<input type="checkbox"/> 17.5"				<input type="checkbox"/> 18.0"	<input type="checkbox"/> 18.0"
		<input type="checkbox"/> 18.0"	<input type="checkbox"/> 18.0"				<input type="checkbox"/> 18.5"	<input type="checkbox"/> 18.5"
<input type="checkbox"/> 20"	N/A	<input type="checkbox"/> 15.5"	<input type="checkbox"/> 16.0"	N/A	N/A	N/A		
		<input type="checkbox"/> 16.0"	<input type="checkbox"/> 16.5"	<input type="checkbox"/> 16.5"	<input type="checkbox"/> 16.5"			
		<input type="checkbox"/> 16.5"	<input type="checkbox"/> 17.0"	<input type="checkbox"/> 17.0"	<input type="checkbox"/> 17.0"			
<input type="checkbox"/> 22"	N/A	<input type="checkbox"/> 17.0"	<input type="checkbox"/> 16.5"	N/A	<input type="checkbox"/> 16.5"	N/A		
		<input type="checkbox"/> 17.5"	<input type="checkbox"/> 17.0"	<input type="checkbox"/> 17.0"	<input type="checkbox"/> 17.0"			
		<input type="checkbox"/> 18.0"	<input type="checkbox"/> 17.5"	<input type="checkbox"/> 17.5"	<input type="checkbox"/> 17.5"			
<input type="checkbox"/> 24"	N/A	N/A	<input type="checkbox"/> 18.0"	<input type="checkbox"/> 18.0"	<input type="checkbox"/> 18.0"	<input type="checkbox"/> 18.0"		
		<input type="checkbox"/> 17.5"	<input type="checkbox"/> 17.5"	<input type="checkbox"/> 18.0"	<input type="checkbox"/> 18.0"			
		<input type="checkbox"/> 18.0"	<input type="checkbox"/> 18.0"	<input type="checkbox"/> 18.5"	<input type="checkbox"/> 18.5"			
		<input type="checkbox"/> 18.5"	<input type="checkbox"/> 18.5"	<input type="checkbox"/> 19.0"	<input type="checkbox"/> 19.0"			

N/A with Folding

#### 4. REAR WHEELS / SEAT HEIGHT

##### One Arm Drive

*Only available with 6 spoke Mag wheels. One Arm Drive N/A with folding frame*

<input type="checkbox"/>	188AL17	E0958	One Arm Drive <i>Avail. w/ 20", 22", 24" Mag Rear Wheels</i>	\$1,051
<input type="checkbox"/>	188OA2		<b>Standard Handrim</b>	NC
<input type="checkbox"/>	188HM1		<i>Right</i>	NC
<input type="checkbox"/>	188HM2		<i>Left</i>	NC
<input type="checkbox"/>	188OA1		<b>Small Handrim</b>	NC
<input type="checkbox"/>	188HM1		<i>Right</i>	NC
<input type="checkbox"/>	188HM2		<i>Left</i>	NC

##### Axle

<input type="checkbox"/>	188AX26		One Arm Drive Axle <i>Only avail. w/One Arm Drive Option</i>	STD
<input type="checkbox"/>	188AX1		<i>Quick Release</i>	NC
<input type="checkbox"/>	188AX11		Quad Quick Release <i>N/A with Lite Spokes</i>	\$147

##### Rear Wheel Size

*12"-16" N/A w/handrims. 12" w/attendant wheel lock N/A w/ +5 - 60° tilt angle.*

<input type="checkbox"/>	188RW13		12" Mag - <i>N/A with handrims</i>	STD
<input type="checkbox"/>	188RW14		16" Mag - <i>N/A with handrims</i>	NC
<input type="checkbox"/>	188RW3		20" Mag	NC
<input type="checkbox"/>	188RW8		22" Mag	NC
<input type="checkbox"/>	188RW1		24" Mag	NC
<input type="checkbox"/>	188RW90		20" Lite Spoke	\$234
<input type="checkbox"/>	188RW91		22" Lite Spoke	\$234
<input type="checkbox"/>	188RW54		24" Lite Spoke	\$234
<input type="checkbox"/>	188RW103		20" Mag Wheel 5 Spoke	NC
<input type="checkbox"/>	188RW104		22" Mag Wheel 5 Spoke	NC
<input type="checkbox"/>	188RW102		24" Mag Wheel 5 Spoke	NC

##### Rear Wheel Tire

<input type="checkbox"/>	188RT1	E2211 E2212	Pneumatic	\$100
<input type="checkbox"/>	188RT2	E2211 E2213	Pneumatic Airless Insert	\$100
<input type="checkbox"/>	188RT3		Full Polyurethane <i>N/A w/ 12" &amp; 16" rear wheels</i>	NC
<input type="checkbox"/>	188RT4		Low Polyurethane <i>Only Available with 12" wheels</i>	NC

##### Rear Tire & Wheel Matrix

Tire	Rear Wheel		
	5 Spoke Mag	Spoke	Mag Wheel
Pneumatic	20",22",24"	24"	12",16",20",22",24"
Pneumatic w/ Airless Insert	20",22",24"	24"	12",16",20",22",24"
Full Poly	20",22",24"	24"	20",22",24"
Low Poly	N/A	N/A	12"

12" = 203mm 16" = 317mm 20" = 451mm 22" = 501mm 24" = 540mm

##### Handrim

*12" and 16" wheels not available with hand rims. See matrix for availability*

<input type="checkbox"/>	188HR1		Aluminum Anodized	NC
<input type="checkbox"/>	188HR4		Plastic Coated	\$130
<input type="checkbox"/>	188HR7		Omit <i>N/A with wheel/axle credit</i>	NC

##### Projections (Not Available on Plastic Coated)

*Only available with 24" Mag wheels & not available with spoke guards.*

<input type="checkbox"/>	188HR8		8 Oblique	\$384
--------------------------	--------	--	-----------	-------

##### Rear Wheel & Handrim Matrix

Handrim	Rear Wheel		
	5 Spoke Mag	Spoke	Mag Wheel
Aluminum Anodized	20",22",24"	24"	20",22",24"
Plastic Coat	20",22",24"	24"	20",22",24"
Projection 8 Oblique	N/A	N/A	24"

#### 5. WHEEL LOCKS / HUB LOCK

##### Wheel Lock

*Not available with Hub Lock*

<input type="checkbox"/>	188WL34		High Mount Push	NC
<input type="checkbox"/>	188WL36		Foot Lock <i>N/A w/ One Arm Drive, Folding frame defaults to left side, may limit folded width</i>	NC
<input type="checkbox"/>	188WL10		Omit	NC

##### Extension Handle

<input type="checkbox"/>	188EH1	E0961	6" Pair	\$89
--------------------------	--------	-------	---------	------

##### Hub Lock

*Only available with 12" or 16" wheels. N/A with one arm drive.*

<input type="checkbox"/>	188LK01		12" Hub Lock	\$118
<input type="checkbox"/>	188LK02		16" Hub Lock	\$118

**6. FOOTRESTS** (See Appendix on Page 9 for matrix of Leg Length ranges)

**Hanger Mounted Footrest (Footplates Mount to Hanger Tubing)**

**Hanger Type** (See Matrix on Page 9 for Lower Leg Length ranges)

<input type="checkbox"/>	188H140		70° Swing In/Out Front Mount	NC
<input type="checkbox"/>	188H142		80° Swing In/Out Front Mount	NC
<input type="checkbox"/>	188H158		90° Swing In/Out Front Mount	NC
<input type="checkbox"/>	188H9		70° Heavy Duty Front Mount Lift-Off	NC
<input type="checkbox"/>	188H10		80° Heavy Duty Front Mount Lift-Off	NC
<input type="checkbox"/>	188H11		90° Heavy Duty Front Mount Lift-Off	NC
<input type="checkbox"/>	188H161	E0990	Elev.Fnt Mount - N/A 10-11" wide	\$367

**Extensions** (may interfere with some seat heights & casters)

<input type="checkbox"/>	188E23		2" - not mounted	\$63
<input type="checkbox"/>	188E24		4" - not mounted	\$63

**Footplate**

<input type="checkbox"/>	188F9	K0040	Kids Angle Adjustable N/A with 17"-18" widths	\$216
<input type="checkbox"/>	188F8	K0040	Adult Angle Adj. Available with 10"-18" widths	\$221
<input type="checkbox"/>	188F62	K0040	Footboard Available with 10"-16" widths	\$221

**Ext. Tube Mounted Footrests (Footplates Mount to Ext. Tube)**

**Hanger Type** (See Matrix on Page 9 for Lower Leg Length ranges)

<input type="checkbox"/>	188H145		60° Swing In/Out	NC
<input type="checkbox"/>	188H139		70° Swing In/Out	STD
<input type="checkbox"/>	188H141		80° Swing In/Out - N/A with 8" Casters	STD
<input type="checkbox"/>	188H159	K0053	Articulating - N/A 10"-13" widths	\$431
<input type="checkbox"/>	188H160	E0990	Elevating N/A w/ platform footplates or < 14" width	\$367

**Extensions** (See Matrix on Page 9 for Lower Leg Length ranges)

<input type="checkbox"/>	188E1		Short	NC
<input type="checkbox"/>	188E2		Medium	NC
<input type="checkbox"/>	188E5		Long	NC
<input type="checkbox"/>	188E16		High Mount	\$88

**Footplate**

<input type="checkbox"/>	188F1		Composite N/A In 10", 11" or 12" width	STD
<input type="checkbox"/>	188F3	K0040	Adult Angle Adjustable Available with 10"-18" widths	\$221
<input type="checkbox"/>	188F4	K0040	Kids Angle Adjustable N/A with 17"-18" widths	\$216
<input type="checkbox"/>	188F5		Aluminum Available with elevating 14"-18" wide	NC
<input type="checkbox"/>	188F48	K0040	Platform Flip-Up - Ang Adj Available on 60° 70° and 80° ext. mount hangers only. N/A w/Folding Frame	\$221

**Hanger Mounts**

1" Offset N/A with -5-50° and -5-35° preset tilt angle and possible interference with 80° & 90° hangers

<input type="checkbox"/>	188MZ02		Standard Hanger Mount	STD
<input type="checkbox"/>	188MZ01		1" Offset Hanger Mount	\$36

**Articulating / Elevating Hanger Cover**

<input type="checkbox"/>	188DI47		Neoprene Cover	\$397
<input type="checkbox"/>	188DI48		Gel Pad Cover	\$467

**Footrest Hanger Options**

<input type="checkbox"/>	188IG2		Neoprene Covers Only available for ext. mount hangers	\$106
<input type="checkbox"/>	188HL1	E0951	Heel Loops N/A with Z-Finity 10-14 widths	\$47
<input type="checkbox"/>	188HL5	K0038	Leg Strap	\$47
<input type="checkbox"/>	188A54		Extra Single Leg Strap	\$37
<input type="checkbox"/>	188A110	E0952	Toe Loop Only avail. w/ adult ang adj. footplates, N/A with Z-Finity footrest	\$47
<input type="checkbox"/>	188H32		Omit Hanger	-\$15
<input type="checkbox"/>	188F7		Omit Footplate and Ext. Tube	-\$15

**Z-Finity Hangers/Footrest System**

Maximum weight capacity for Z-Finity footrests is 165 lbs.  
Some interference may exist in certain configurations.

<input type="checkbox"/>	188H162		Z-Finity Hanger	STD
--------------------------	---------	--	-----------------	-----

**Z-Finity Footrest Mount** (Must Chose see Illustration on Page 9)

<input type="checkbox"/>	188DI22		Direct Hanger Mt/Fixed Frame - High	NC
<input type="checkbox"/>	188DI23		Direct Hanger Mt/Fixed Frame - Low	NC
<input type="checkbox"/>	188DI24		Extension Tube Mount	NC

**Z-Finity Footrest Pivot Arm** (Must Choose, use matrix on Page 9 for leg length)

<input type="checkbox"/>	188DI20		Short 2"	NC
<input type="checkbox"/>	188DI21		Long 3 1/4"	NC

**Z-Finity Footplate**

Some interference may exist in certain configurations.

<input type="checkbox"/>	188F320	K0040	Multi Angle Adjustable - Pair N/A with 8"-9" widths	\$216
<input type="checkbox"/>	188F321	K0040	Angle Adjustable Platform Footboard	\$250
<input type="checkbox"/>	188F6		Omit Footplate	NC

**Z-Finity Extension Tube Length** (When Choosing Ext. Tube Mount)

<input type="checkbox"/>	188E62		Hemi Short	NC
<input type="checkbox"/>	188E1		Short	NC
<input type="checkbox"/>	188E2		Medium	NC
<input type="checkbox"/>	188E5		Long	NC

**JAY FOOT BOXES**

Only available with Swing Away, Lift-off Hangers, Adult Angle Adj Footplates and ALR/ELR. Single Foot Box pairs N/A with 10"-15" frame widths. Full Foot boxes N/A with Heel Loop or Leg Strap or in odd number sizes, Tall Height N/A w/ 14"-15" frame widths and ALR/ELR. N/A with Z-Finity.

**Single Foot Box**

<input type="checkbox"/>	188JX01	E0954	Foot Box Standard Height - Left	\$263
<input type="checkbox"/>	188JX02	E0954	Foot Box Tall Height - Left	\$263
<input type="checkbox"/>	188JX03	E0954	Foot Box Standard Height - Right	\$263
<input type="checkbox"/>	188JX04	E0954	Foot Box Tall Height - Right	\$263
<input type="checkbox"/>	188JX05	E0954	Foot Box Standard Height - Pair	\$526
<input type="checkbox"/>	188JX06	E0954	Foot Box Tall Height - Pair	\$526

**OR**

**Full Foot Box**

<input type="checkbox"/>	188JX07	E0954	Full Foot box Std Height	\$468
<input type="checkbox"/>	188JX08	E0954	Full Foot box Tall Height	\$468
<input type="checkbox"/>	188JX09	E0954	Full Foot box w/ Divider Std Ht	\$525
<input type="checkbox"/>	188JX10	E0954	Full Foot box w/ Divider Tall Ht	\$525

**6. FOOTRESTS CONT.** (See Appendix for matrix)

**Contracture Footrest System (CFS)**

N/A w/ Neoprene Impact Guards, Kids Angle Adj. Aluminum Footrests, Dual Post Armrest or Folding Frame.

<input type="checkbox"/>	188H26	Contracture Footrest System	\$408
<input type="checkbox"/>	188FP01	CFS - Center Mount	NC
<input type="checkbox"/>	188FP02	CFS - Outside Mount	NC
<input type="checkbox"/>	<b>188E1</b>	<b>SHORT</b>	<b>NC</b>
<input type="checkbox"/>	188EP1	10.5" Extension Height	NC
<input type="checkbox"/>	188EP2	11.0" Extension Height	NC
<input type="checkbox"/>	188EP3	11.5" Extension Height	NC
<input type="checkbox"/>	188EP4	12.0" Extension Height	NC
<input type="checkbox"/>	188EP5	12.5" Extension Height	NC
<input type="checkbox"/>	188EP6	13.0" Extension Height	NC

<input type="checkbox"/>	<b>188E2</b>	<b>REGULAR</b>	<b>NC</b>
<input type="checkbox"/>	188EP5	12.5" Extension Height	NC
<input type="checkbox"/>	188EP6	13.0" Extension Height	NC
<input type="checkbox"/>	188EP7	13.5" Extension Height	NC
<input type="checkbox"/>	188EP8	14.0" Extension Height	NC
<input type="checkbox"/>	188EP9	14.5" Extension Height	NC
<input type="checkbox"/>	188EP10	15.0" Extension Height	NC

**7. BACKREST / SEATING**

**DYNAMIC BACKREST**

<input type="checkbox"/>	188BT101	E2398	Dynamic Backrest N/A w/ Reclining or Folding Frame. N/A in some configurations.	\$1,744
--------------------------	----------	-------	---	---------

**JAY Backs (Optional)**

Ordering JAY backs on-chair, See the JAY Price List. Requires Part #

<input type="checkbox"/>	188JB01	JAY Bundled Backrest	Price List
		Backrest Name or Part #	
		Width:	Height:

**STROLLER HANDLE BACK POSTS - BACK RESTS (Choose A, B, C or D)**

**A. Fixed Height**

<input type="checkbox"/>	188BP9	Low (19" Ht)	NC	<b>A</b>
<input type="checkbox"/>	188BP10	Medium (22" Ht)	NC	
<input type="checkbox"/>	188BP11	Tall (25" Ht)	NC	
<input type="checkbox"/>	188BP13	Removable Extension	\$100	
<input type="checkbox"/>	188RG1	Folding Adjustable Rigidizer N/A w/ Mono Back	\$205	

**OR**

**C. Mono Back System**

Must select JAY J3 when ordering Mono Back.  
N/A w/ Folding Frame.

**Select One**

<input type="checkbox"/>	188MO1		Mono Backrest System	\$578	<b>C</b>
<input type="checkbox"/>	188MO2	E2398	Mono Backrest System with Dynamic Backrest	\$1,744	

**AND Select desired Push Handle**

<input type="checkbox"/>	188PH8		Std. Angle Adj. Push Handle Length	NC
<input type="checkbox"/>	188PH9		Long Angle Adj. Push Handle Length	NC

**OR**

**B Height Adjustable**

Rigid Back w/ Angle Adjust Push Handle

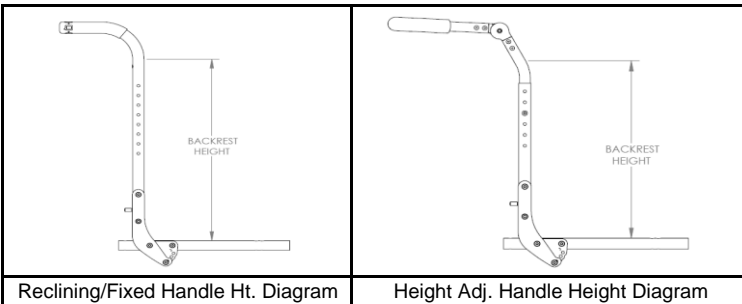
<input type="checkbox"/>	188B170	<b>Std. (16"-22" Height.)</b>	NC	<b>B</b>
<input type="checkbox"/>	188PH8	Std. Angle Adj. Push Handle Lgth	NC	
<input type="checkbox"/>	188PH9	Long Angle Adj. Push Handle Length	NC	
<input type="checkbox"/>	188B171	<b>Tall (19"-25" Height.)</b>	NC	
<input type="checkbox"/>	188PH8	Std. Angle Adj. Push Handle Lgth	NC	
<input type="checkbox"/>	188PH9	Long Angle Adj. Push Handle Length	NC	

**OR**

**D. Reclining Backrest**

Only available with 40° Tilt Range. N/A w/Folding Frame

<input type="checkbox"/>	188BT21	E1225	Reclining Backrest	\$1,032	<b>D</b>
		<input type="checkbox"/>	188B172 Medium (21" Height)	NC	
		<input type="checkbox"/>	188B173 Tall (24" Height)	NC	
<input type="checkbox"/>	188BP64		Angle Adj stroller handles Height adj range 19"- 23" N/A on 10" widths w/Dual Trigger tilt release	\$175	
		<input type="checkbox"/>	188PH8 Standard push handle	NC	
		<input type="checkbox"/>	188PH9 Long push handle	NC	



**7. BACKREST / SEATING CONT.**

**Mono Backrest Options ONLY**

*N/A on Folding Frame, Vent/Battery Tray Base (LTV only), Reclining Backrest, Desk Length Arm pads, Canopy and 10"-11" frame widths and depths.*

**JAY J3 Back for Mono Backrest System**

<input type="checkbox"/>	188JB04		JAY J3 Back Mono	See OF
<input type="checkbox"/>	188JB05		JAY J3 via JAY Your Way	See OF

**JAY J3 Backrest Contour**

<input type="checkbox"/>	188JP06	E2613	J3 PA Back - 2.2" of Contour Depth	\$625
<input type="checkbox"/>	188JP08	E2615	J3 PL Back - 3" of Contour Depth	\$729
<input type="checkbox"/>	188JP09	E2620	J3 PDL Back - 6" of Contour Depth N/A w/ 12" width	\$875
<input type="checkbox"/>	188JP10	E2620	J3 PDC Back - 6" of Contour Depth N/A w/ 12" width	\$875

**JAY J3 Backrest Height**

<input type="checkbox"/>	188JR07		UT Standard - 16.5" shell height	NC
<input type="checkbox"/>	188JR08		UT Medium - 18" shell height N/A w/ 12" width	NC
<input type="checkbox"/>	188JR09		UT Tall - 19.5" shell height N/A w/ 12" width	NC
<input type="checkbox"/>	188JR10		SH Standard - 21" shell height N/A w/ 12" width	NC
<input type="checkbox"/>	188JR11		SH Medium - 22.5" shell height N/A w/ 12" width	NC
<input type="checkbox"/>	188JR12		SH Tall - 24" shell height N/A w/ 12" width	NC

**JAY J3 Backrest Width**

Some interference may exist w/ armrest when ordering a backrest width greater than 4" wider than the base.

<input type="checkbox"/>	188JQ06		12" Backrest Width Available w/UT Standard 16.5" shell ht	NC
<input type="checkbox"/>	188JQ01		14" Backrest Width	NC
<input type="checkbox"/>	188JQ02		16" Backrest Width	NC
<input type="checkbox"/>	188JQ03		18" Backrest Width	NC

**JAY J3 Backrest Color**

<input type="checkbox"/>	188GZ01		Black	NC
<input type="checkbox"/>	188GZ02		Match Frame- Standard Colors	NC
<input type="checkbox"/>	188GZ03		Match Frame- Personalized Color	\$58

**JAY J3 Back for Mono Backrest System Cont.**

**Select desired Headrest Mount - optional**

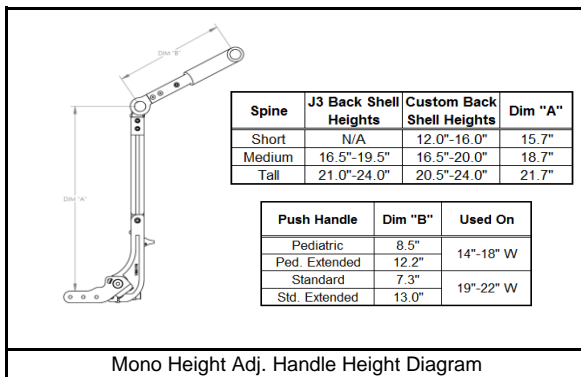
<input type="checkbox"/>	188MH10	E1028	Axys Mount & Bracket	\$259
<input type="checkbox"/>	188MH15	E1028	Cobra Flip Back Mount and Bracket	\$393
<input type="checkbox"/>	188MH16	E1028	Onyx Mount and Bracket	\$234
<input type="checkbox"/>	188MH17		Omit	NC

**Select desired Headrest Pad - optional**

<input type="checkbox"/>	188HE65	E0955	Plush Head Support Pad 8"	\$190
<input type="checkbox"/>	188HE66	E0955	Plush Head Support Pad 10"	\$190
<input type="checkbox"/>	188HE78	E0955	Plush Head Support Pad 14"	\$205
<input type="checkbox"/>	188HE87	E0955	HeadsUp Lrg: 5.3" Lng Arms	\$365
<input type="checkbox"/>	188HE88	E0955	HeadsUp Med: 4.1" Sht Arms	\$365
<input type="checkbox"/>	188HE89	E0955	HeadsUp Sml: 3.5" Sht Arms	\$365
<input type="checkbox"/>	188HE83	E0955	Adjust-A-Plush Standard	\$307
<input type="checkbox"/>	188HE82	E0955	Adjust-A-Plush Narrow	\$307

**Select desired Lateral - optional**

<input type="checkbox"/>	<b>LAT 4X4 S/A MOUNTS includes 1" OFFSET - PR</b>			\$910
	188ZV14	E0956	LATERAL 4X4 W/ 1" OFFSET-PAIR	\$294
	188ZS07	E1028	LATERAL SWING AWAY MOUNT-PAIR	\$616
<input type="checkbox"/>	<b>LAT 4X5 S/A MOUNTS includes 1" OFFSET - PR</b>			\$910
	188ZV15	E0956	LATERAL 4X5 W/ 1" OFFSET-PAIR	\$294
	188ZS07	E1028	LATERAL SWING AWAY MOUNT-PAIR	\$616
<input type="checkbox"/>	<b>LAT 4X6 S/A MOUNTS includes 1" OFFSET - PR</b>			\$910
	188ZV16	E0956	LATERAL 4X6 W/ 1" OFFSET-PAIR	\$294
	188ZS07	E1028	LATERAL SWING AWAY MOUNT-PAIR	\$616
<input type="checkbox"/>	<b>LAT 6X4 S/A MOUNTS includes 1" OFFSET - PR</b>			\$910
	188ZV17	E0956	LATERAL 6X4 W/ 1" OFFSET-PAIR	\$294
	188ZS07	E1028	LATERAL SWING AWAY MOUNT-PAIR	\$616
<input type="checkbox"/>	<b>LAT 6X5 S/A MOUNTS includes 1" OFFSET - PR</b>			\$910
	188ZV18	E0956	LATERAL 6X5 W/ 1" OFFSET-PAIR	\$294
	188ZS07	E1028	LATERAL SWING AWAY MOUNT-PAIR	\$616
<input type="checkbox"/>	<b>LAT 6X6 S/A MOUNTS includes 1" OFFSET - PR</b>			\$910
	188ZV19	E0956	LATERAL 6X6 W/ 1" OFFSET-PAIR	\$294
	188ZS07	E1028	LATERAL SWING AWAY MOUNT-PAIR	\$616



**8. ARMRESTS / SIDE GUARDS**

**Armrest - Height Adjustable**

Dual Post not available with 0 - 13" deep or with 14 - 15" deep seat pan, Dual Post also not available with contracture Footrest. Some interference may exist in some configurations.

<input type="checkbox"/>	188AA12	E0973	T-Post Regular w/Foam	\$309
<input type="checkbox"/>	188AA13	E0973	T-Post Tall w/Foam	\$309
<input type="checkbox"/>	188AA3		Flip-Up	NC
<input type="checkbox"/>	188AA1	E0973	Adjustable Locking Flip-Up	\$309
<input type="checkbox"/>	188AA7	E0973	Length Adjust. Locking Flip-Up N/A with Contour Armpad	\$321
<input type="checkbox"/>	188AA62		Dual Post	NC
<input type="checkbox"/>	188AA63	E0973	Dual Post Height Adjustable	\$314
<input type="checkbox"/>	188AA43		Dual Post Flip Back	\$222
<input type="checkbox"/>	188AA48	E0973	Dual Post Flip Back Height Adj.	\$345
<input type="checkbox"/>	188AA11	E0973	Single-Post Height Adj. Std.	\$333
<input type="checkbox"/>	188AA29	E0973	Single-Post Height Adj. Low	\$333
<input type="checkbox"/>	188AA154	E0973	Height Adj. Cantilever Armrest Avail. w/ Mono Back only. N/A w/ 20", 22" and 24" rear wheels.	\$292

**Armpad**

Contour & Ergo only w/ Single Post Height Adj. - Foam only Length Adj.

<input type="checkbox"/>	188AM23		Desk Classic	NC
<input type="checkbox"/>	188AM21		Desk Contour	NC
<input type="checkbox"/>	188AM24		Full Classic	NC
<input type="checkbox"/>	188AM22		Full Contour	NC
<input type="checkbox"/>	188AM9		Foam Short	NC
<input type="checkbox"/>	188AM10		Foam Long	NC
<input type="checkbox"/>	188AM27		Ergo armpad	NC

**Armrest Receiver for Single Post Height Adjustable Armrest**

<input type="checkbox"/>	188AR17		Low	NC
<input type="checkbox"/>	188AR18		Std	NC

**JAY Arm Troughs**

N/A with Length Adj. Locking Flip Up and Adj Locking Flip Up armrests and Single Post Height Adj Armrests. Full Length Classic Armpads will automatically be selected when choosing only one side Arm Trough.

<input type="checkbox"/>	188JL01	E2209	Arm Trough - 14" long - Left	\$239
<input type="checkbox"/>	188JL04	E2209	Arm Trough - 14" long - Right	\$239
<input type="checkbox"/>	188JL05	E2209	Arm Trough - 14" long - Pair	\$478
<input type="checkbox"/>	188JL02	E2209	Arm Trough - 18" long - Left	\$239
<input type="checkbox"/>	188JL06	E2209	Arm Trough - 18" long - Right	\$239
<input type="checkbox"/>	188JL07	E2209	Arm Trough - 18" long - Pair	\$478
<input type="checkbox"/>	188JL03	E2209	Arm Trough - 22" long - Left	\$239
<input type="checkbox"/>	188JL08	E2209	Arm Trough - 22" long - Right	\$239
<input type="checkbox"/>	188JL09	E2209	Arm Trough - 22" long - Pair	\$478

**JAY Arm Trough - Hardware**

<input type="checkbox"/>	188JN01		Fixed - Each	NC
<input type="checkbox"/>	188JN03		Fixed - Pair	NC
<input type="checkbox"/>	188JN02	E1028	Swing Away - Rotational - Each	\$292
<input type="checkbox"/>	188JN04	E1028	Swing Away - Rotational - Pair	\$584

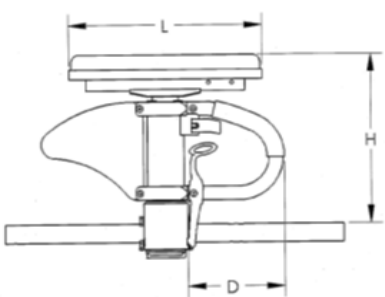
**Side Guard**

Not available with height adjustable armrests, T Posts or Cantilever armrests. N/A with Mono Back.

<input type="checkbox"/>	188SG33	K0108	Plastic Std	\$169
<input type="checkbox"/>	188SG29	K0108	Plastic Low	\$169

Armrest Matrix for Single Post

Armrest Size	Transfer Tube Length D	Receiver	Classic Pad		
			H Range	Pad length L	
				Desk	Full
Std	8"	Std	10-3/4" to 15-3/4"	10-1/4"	14"
		Low	8-3/4" to 13-3/4"		
Low	5-1/4"	Std	9" to 13"	10-1/4"	14"
		Low	7-1/4" to 11-1/4"		
Contour Pad					
		Receiver	H Range	Pad length L	
				Desk	Full
			Std	10" to 15"	10-1/2"
Low	8-1/4" to 13-1/4"				
Std	8-1/2" to 12-1/2"	10-1/2"	14-1/4"		
Low	6-3/4" to 10-3/4"				
Ergo Pad					
		Receiver	H Range	Pad length L	
				11-3/4"	
			Std	10-1/2" to 15-1/2"	11-3/4"
			Low	8-3/4" to 13-3/4"	
Std	9" to 13"	11-3/4"			
Low	7-1/4" to 11-1/4"				



**9. ACCESSORIES**

**Back Pack (Kids Backpack included)**

All Zippie chairs ship with one Kids Backpack at NC

<input type="checkbox"/>	188A1	Utility Backpack - Black	\$88
<input type="checkbox"/>	188A2	Additional Zippie Backpack	\$70

**Seat Pouch**

<input type="checkbox"/>	188A8	Black	\$58
--------------------------	-------	-------	------

**Miscellaneous**

<input type="checkbox"/>	188A83	Tool Kit	\$63
--------------------------	--------	----------	------

**Positioning Belt (w/clamps)**

<input type="checkbox"/>	188A112	E0978	1" Dual Pull Side Squeeze Padded	\$100
<input type="checkbox"/>	188A117	E0978	Belt 2" Aircraft Buckle	\$129
<input type="checkbox"/>	188A118	E0978	Belt 2" Aircraft Buckle Padded	\$139
<input type="checkbox"/>	188A814	E0978	JAY 2 Pt 1" Push Btn - 4.5" Pad	\$139
<input type="checkbox"/>	188ZZ25	E0978	JAY 2 Pt 1.5" Push Btn - No Pad	\$48
<input type="checkbox"/>	188ZZ28	E0978	JAY 2 Pt 1.5" Push Btn - 7.5" Pad	\$101
<input type="checkbox"/>	188ZZ27	E0978	JAY 2 Pt 2" Push Btn - No Pad	\$48
<input type="checkbox"/>	188ZZ26	E0978	JAY 2 Pt 2" Push Btn - 9.5" Pad	\$101

**Vertical Mount Vent Tray-Back cane Mount**

<input type="checkbox"/>	188LF12	E1029	Dovetail Vertical Frame Mounted Hardware for LTV Vent (limit 15lbs) includes 1 Utility Hook. - <i>Must remove for folding.</i>	\$578
<input type="checkbox"/>	188LF13	E1029	Dovetail Vertical Frame Mt Hardware for Trilogy Vent (limit 15lbs) includes 1 Utility Hook - <i>Must remove for folding.</i>	\$578
<input type="checkbox"/>	188LF7		Utility Hook	\$30

**Upper Extremity Support Tray**

When ordering a tray with full armrest or desk armrest pads, add 1" to seat width to determine best tray size. N/A with JAY Arm Trough. *Must remove for folding.*

<input type="checkbox"/>	188A29	E0950	X-Sm (Suggested 10"-12" Width)	\$298
<input type="checkbox"/>	188A30	E0950	Sm (Suggested 13"-14" Width)	\$298
<input type="checkbox"/>	188A31	E0950	Med (Suggested 15"-17" Width)	\$298
<input type="checkbox"/>	188A32	E0950	Lrg (Suggested 18"-20" Width)	\$311

**10. FRAME COLOR**

**Standard Colors**

<input type="checkbox"/>	188C140	Aztec Gold	NC
<input type="checkbox"/>	188C2	Black - <i>N/A as base with Zebra</i>	NC
<input type="checkbox"/>	188C141	Black Cherry	NC
<input type="checkbox"/>	188C10	Black Opal	NC
<input type="checkbox"/>	188C38	Blue Opal	NC
<input type="checkbox"/>	188C36	Candy Blue	NC
<input type="checkbox"/>	188C14	Candy Purple	NC
<input type="checkbox"/>	188C35	Candy Red	NC
<input type="checkbox"/>	188C142	Electric Blue	NC
<input type="checkbox"/>	188C143	Evergreen	NC
<input type="checkbox"/>	188C126	Glow	NC
<input type="checkbox"/>	188C144	Green Apple	NC
<input type="checkbox"/>	188C147	Hot Sparkle Pink	NC
<input type="checkbox"/>	188C148	Mauve Pink	NC
<input type="checkbox"/>	188C103	Rootbeer	NC
<input type="checkbox"/>	188C114	Sparkle Silver	NC
<input type="checkbox"/>	188C145	Sunrise Orange	NC
<input type="checkbox"/>	188C113	Titanium Color Paint	NC
<input type="checkbox"/>	188C8	Yellow	NC

**Canopy (SunShade)**

Need 2" back post clearance to mount canopy hardware, may require next height based on seating; please note some interference may occur with some headrest configurations. N/A with Mono Back. *Must remove for folding.*

<input type="checkbox"/>	1888A06	K0108	Canopy (Sunshade) 10"-14" Width	\$321
<input type="checkbox"/>	1888A07	K0108	Canopy (Sunshade) 15"-20" Width	\$321

**JAY Anterior Thoracic Support**

**Style**

<input type="checkbox"/>	188JY01	E0960	Classic Dynamic	\$177
<input type="checkbox"/>	188JY02	E0960	Classic Structure	\$177
<input type="checkbox"/>	188JY03	E0960	Contour Dynamic	\$177
<input type="checkbox"/>	188JY04	E0960	Contour Structure	\$177
<input type="checkbox"/>	188JY05	E0960	Center Opening with Buckle	\$177

**Size**

<input type="checkbox"/>	188JZ01		Small	NC
<input type="checkbox"/>	188JZ02		Medium	NC
<input type="checkbox"/>	188JZ03		Large	NC
<input type="checkbox"/>	188JZ04		X-Large	NC

**JAY Padded Trunk Strap**

<input type="checkbox"/>	188JA01	E0960	Padded Trunk Strap - Small	\$165
<input type="checkbox"/>	188JA02	E0960	Padded Trunk Strap - Medium	\$165
<input type="checkbox"/>	188JA03	E0960	Padded Trunk Strap - Large	\$165
<input type="checkbox"/>	188JA04	E0960	Padded Trunk Strap - XL	\$165

**Spoke Guard**

Not available with 12" & 16" rear wheels & Projections Handrims

<input type="checkbox"/>	188A23	K0065	Black	\$135
<input type="checkbox"/>	188A303	K0065	Clear Zippie	\$135

**Anti-Tip**

<input type="checkbox"/>	188AT1	E0971	Rear Anti-Tip	\$176
--------------------------	--------	-------	---------------	-------

**Standard Matte Colors**

<input type="checkbox"/>	188C116	Matte Black	NC
<input type="checkbox"/>	188C151	Matte Black Cherry	NC
<input type="checkbox"/>	188C152	Matte Purple	NC
<input type="checkbox"/>	188C150	Matte Electric Blue	NC
<input type="checkbox"/>	188C149	Matte Evergreen	NC

**Personalized Colors**

<input type="checkbox"/>	188C43	Mossy Oak Camouflage	\$460
<input type="checkbox"/>	188C42	Stars and Stripes	\$460
<input type="checkbox"/>	188C108	Zebra <i>Choose base color from Standard colors: White is Standard.</i>	\$460

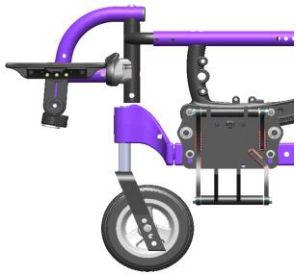


**APPENDIX**

**Z-Finity Matrix**

**Growing Seat Pan Matrix - Rigid and Folding Frame Options**

**Direct Hanger Mount**



**Extension Tube Mount**



**Direct Hanger Mounted**

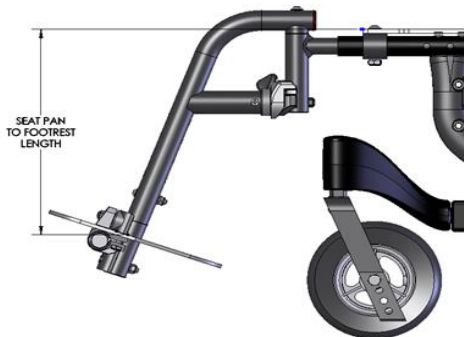
Footrest Adaptor	Hanger Mounting Position	Min	Max
Short	High Mount	-0.9"	3.4"
	Low Mount	2.6"	6.7"
Long	High Mount	-2.1"	4.6"
	Low Mount	1.3"	7.9"

**Extension Tube Mounted**

Footrest Adaptor	Extension Tube Length	Min	Max
Short	Hemi Short	3.9"	12.4"
	Short	4.9"	13.4"
	Medium	6.6"	15.4"
	Long	8.6"	17.4"
Long	Hemi Short	2.6"	13.6"
	Short	4.1"	14.6"
	Medium	5.6"	16.6"
	Long	7.6"	18.6"

**Lower Leg Length Matrix**

Hanger	Extension	Seat Pan to Top of Footrest		Min Allowable FSH
		Min	Max	
70° Front Mount	No Ext.	3 1/2"	9"	11 1/2"
	2"	3 1/2"	11 1/2"	13 1/2"
	4"	3 1/2"	13 1/2"	15 1/2"
80° Front Mount	No Ext.	3 1/2"	9 1/2"	11 1/2"
	2"	3 1/2"	12"	14"
	4"	3 1/2"	14"	16"
90° Front Mount	No Ext.	3"	9"	11 1/2"
ELR Front Mount	No Ext.	3"	7"	10 1/2"
60° Swing In/Out	Short	9"	12 1/2"	12 1/2"
	Medium	9"	14 1/2"	12 1/2"
	Long	11 1/2"	16"	14 1/2"
70° Swing In/Out	Short	10 1/2"	15 1/2"	12 1/2"
	Medium	10 1/2"	17 1/2"	13"
	Long	13 1/2"	19"	15"
80° Swing In/Out	Short	11"	14 1/2"	13"
	Medium	11"	16 1/2"	13"
	Long	13"	18"	15"
ALR	Short	14"	17 1/2"	12 1/2"
	Medium	15"	19 1/2"	13 1/2"
	Long	16 1/2"	19"	14 1/2"
ELR Ext Mount	Short	13"	17"	12 1/2"
	Medium	13"	18 1/2"	13 1/2"
	Long	14 1/2"	20"	14 1/2"

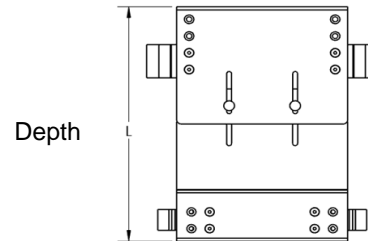


**Rigid Frame - Frame Depth Growth Range Matrix**

Seat Pan Size	Dim A Range
10" - 16"	11-1/4" - 15-1/4"
14" - 18"	15" - 19"

**Folding Frame - Frame Depth Growth Range Matrix**

Seat Depth Pan Size	Seat Depth											L Range	
	10"	11"	12"	13"	14"	15"	16"	17"	18"	19"	20"	Min	Max
Short	x	x	x	x	x							10"	14"
Medium					x	x						11.75"	16.25"
Long							x	x				13.75"	18.25"
X-Long									x	x	x	15.75"	20.25"



**Additional Options Through Built-4-Me**

To inquire about any unique personalization for Zippie products, contact: Phone: (800) 333-4000, Fax: (800) 333-9011



**Commonly Requested Options Include:**

- ✓ Reverse Configuration
- ✓ Angle Adjustable Handle for Reclining Backrest
- ✓ Dual Mount Wheel Locks - Attendant Foot Lock
- ✓ Dynamic Back on Frame Depth up to 20"
- ✓ O2 Holder with Transit
- ✓ IV Pole with Transit
- ✓ Solid Seat w/ Quick Release Hardware for folding frame



Sunrise Medical (US) LLC  
12002 Volunteer Blvd · Mount Juliet, TN 37122 · USA

Customer Service: 800-333-4000 Fax: 800-300-7502 Email: orders@sunmed.com Web: www.sunrisemedical.com

©1/2025 MK-100011 REV U