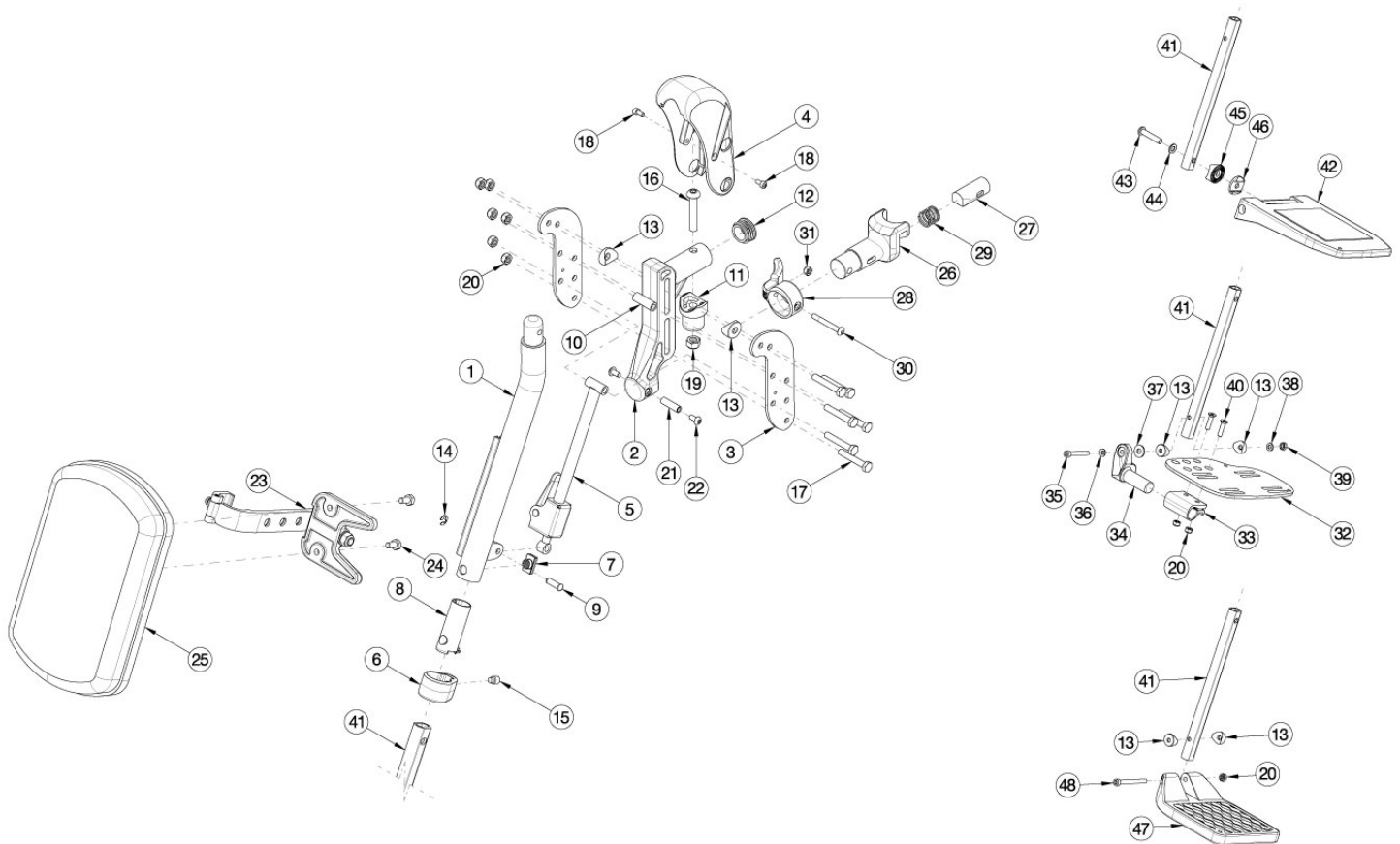


# Pro Elevating Leg Rest



Sizes for assemblies are based on seat width with straight frame; if Tilt chair has Offset Frame, add 2" to seat width. Seat to Footrest Length range for Short Extension is 10.5"-17.5" on Catalyst chairs and 8.5"-17" on tilt chairs. Seat to Footrest Length range for Long Extension is 13"-21" on Catalyst chairs and 11.5"-19" on tilt chairs. If chair was built with a fixed front frame or hangers were omitted, then latch blocks need to be ordered with ELRs. Please reference the "Front Frame" parts manual page for Catalyst chairs and the "Seat Frame" parts manual page for Focus, Flip, and Liberty chairs. If switching from a contracture footrest to an ELR, front seat tubes and latch blocks with hardware will be needed.

| Item Number   | Part Number | Description   | Quantity |
|---|-------------|---|----------|
| 1a, 1b, 2-24, 25b, 26a, 27a, 28a, 29-31, 41a, 47a, 48 | 110563      | Pro ELR Assembly 14, Composite Footplate, Short Ext, Classic Release, Pair    | 1        |
| 1a, 1b, 2-24, 25a, 26a, 27a, 28a, 29-31, 41a, 47a, 48 | 110564      | Pro ELR Assembly 15, Composite Footplate, Short Ext, Classic Release, Pair    | 1        |
| 1a, 1b, 2-24, 25a, 26a, 27a, 28a, 29-31, 41a, 47b, 48 | 110565      | Pro ELR Assembly 16-17, Composite Footplate, Short Ext, Classic Release, Pair | 1        |
| 1a, 1b, 2-24, 25a, 26a, 27a, 28a, 29-31, 41a, 47c, 48 | 110566      | Pro ELR Assembly 18-24, Composite Footplate, Short Ext, Classic Release, Pair | 1        |

| Item Number   | Part Number | Description  | Quantity |
|---|-------------|--|----------|
| 1a, 2-24, 25b, 26a, 27a, 28a, 29-31, 41a, 47a, 48     | 110547      | Pro ELR Assembly 14, Composite Footplate, Short Ext, Classic Release, Right    | 1        |
| 1a, 2-24, 25a, 26a, 27a, 28a, 29-31, 41a, 47a, 48     | 110548      | Pro ELR Assembly 15, Composite Footplate, Short Ext, Classic Release, Right    | 1        |
| 1a, 2-24, 25a, 26a, 27a, 28a, 29-31, 41a, 47b, 48     | 110549      | Pro ELR Assembly 16-17, Composite Footplate, Short Ext, Classic Release, Right | 1        |
| 1a, 2-24, 25a, 26a, 27a, 28a, 29-31, 41a, 47c, 48     | 110550      | Pro ELR Assembly 18-24, Composite Footplate, Short Ext, Classic Release, Right | 1        |
| 1b, 2-24, 25b, 26a, 27a, 28a, 29-31, 41a, 47a, 48     | 110531      | Pro ELR Assembly 14, Composite Footplate, Short Ext, Classic Release, Left     | 1        |
| 1b, 2-24, 25a, 26a, 27a, 28a, 29-31, 41a, 47a, 48     | 110532      | Pro ELR Assembly 15, Composite Footplate, Short Ext, Classic Release, Left     | 1        |
| 1b, 2-24, 25a, 26a, 27a, 28a, 29-31, 41a, 47b, 48     | 110533      | Pro ELR Assembly 16-17, Composite Footplate, Short Ext, Classic Release, Left  | 1        |
| 1b, 2-24, 25a, 26a, 27a, 28a, 29-31, 41a, 47c, 48     | 110534      | Pro ELR Assembly 18-24, Composite Footplate, Short Ext, Classic Release, Left  | 1        |
| 1a, 1b, 2-24, 25b, 26a, 27a, 28a, 29-31, 41b, 47a, 48 | 110571      | Pro ELR Assembly 14, Composite Footplate, Long Ext, Classic Release, Pair      | 1        |
| 1a, 1b, 2-24, 25a, 26a, 27a, 28a, 29-31, 41b, 47a, 48 | 110572      | Pro ELR Assembly 15, Composite Footplate, Long Ext, Classic Release, Pair      | 1        |
| 1a, 1b, 2-24, 25a, 26a, 27a, 28a, 29-31, 41b, 47b, 48 | 110573      | Pro ELR Assembly 16-17, Composite Footplate, Long Ext, Classic Release, Pair   | 1        |
| 1a, 1b, 2-24, 25a, 26a, 27a, 28a, 29-31, 41b, 47c, 48 | 110574      | Pro ELR Assembly 18-24, Composite Footplate, Long Ext, Classic Release, Pair   | 1        |
| 1a, 2-24, 25b, 26a, 27a, 28a, 29-31, 41b, 47a, 48     | 110555      | Pro ELR Assembly 14, Composite Footplate, Long Ext, Classic Release, Right     | 1        |
| 1a, 2-24, 25a, 26a, 27a, 28a, 29-31, 41b, 47a, 48     | 110556      | Pro ELR Assembly 15, Composite Footplate, Long Ext, Classic Release, Right     | 1        |

| Item Number  | Part Number | Description   | Quantity |
|--|-------------|---|----------|
| 1a, 2-24, 25a, 26a, 27a, 28a, 29-31, 41b, 47b, 48        | 110557      | Pro ELR Assembly 16-17, Composite Footplate, Long Ext, Classic Release, Right | 1        |
| 1a, 2-24, 25a, 26a, 27a, 28a, 29-31, 41b, 47c, 48        | 110558      | Pro ELR Assembly 18-24, Composite Footplate, Long Ext, Classic Release, Right | 1        |
| 1b, 2-24, 25b, 26a, 27a, 28a, 29-31, 41b, 47a, 48        | 110539      | Pro ELR Assembly 14, Composite Footplate, Long Ext, Classic Release, Left     | 1        |
| 1b, 2-24, 25a, 26a, 27a, 28a, 29-31, 41b, 47a, 48        | 110540      | Pro ELR Assembly 15, Composite Footplate, Long Ext, Classic Release, Left     | 1        |
| 1b, 2-24, 25a, 26a, 27a, 28a, 29-31, 41b, 47b, 48        | 110541      | Pro ELR Assembly 16-17, Composite Footplate, Long Ext, Classic Release, Left  | 1        |
| 1b, 2-24, 25a, 26a, 27a, 28a, 29-31, 41b, 47c, 48        | 110542      | Pro ELR Assembly 18-24, Composite Footplate, Long Ext, Classic Release, Left  | 1        |
| 1a, 1b, 2-24, 25a, 26a, 27a, 28a, 29-31, 41a, 42a, 43-46 | 504500      | PRO ELR Assembly 15/16 Comp Angle Adj FP Short Ext Classic Release PAIR       | 1        |
| 1a, 1b, 2-24, 25a, 26a, 27a, 28a, 29-31, 41a, 42b, 43-46 | 504501      | PRO ELR Assembly 17/18 Comp Angle Adj FP Short Ext Classic Release PAIR       | 1        |
| 1a, 1b, 2-24, 25a, 26a, 27a, 28a, 29-31, 41a, 42c, 43-46 | 504502      | PRO ELR Assembly 19-22 Comp Angle Adj FP Short Ext Classic Release PAIR       | 1        |
| 1a, 2-24, 25a, 26a, 27a, 28a, 29-31, 41a, 42a, 43-46     | 504488      | PRO ELR Assembly 15/16 Comp Angle Adj FP Short Ext Classic Release Right      | 1        |
| 1a, 2-24, 25a, 26a, 27a, 28a, 29-31, 41a, 42b, 43-46     | 504489      | PRO ELR Assembly 17/18 Comp Angle Adj FP Short Ext Classic Release Right      | 1        |
| 1a, 2-24, 25a, 26a, 27a, 28a, 29-31, 41a, 42c, 43-46     | 504490      | PRO ELR Assembly 19-22 Comp Angle Adj FP Short Ext Classic Release Right      | 1        |
| 1b, 2-24, 25a, 26a, 27a, 28a, 29-31, 41a, 42a, 43-46     | 504476      | PRO ELR Assembly 15/16 Comp Angle Adj FP Short Ext Classic Release Left       | 1        |

| Item Number   | Part Number | Description   | Quantity |
|---|-------------|---|----------|
| 1b, 2-24, 25a, 26a, 27a, 28a, 29-31, 41a, 42b, 43-46                        | 504477      | PRO ELR Assembly 17/18 Comp Angle Adj FP Short Ext Classic Release Left | 1        |
| 1b, 2-24, 25a, 26a, 27a, 28a, 29-31, 41a, 42c, 43-46                        | 504478      | PRO ELR Assembly 19-22 Comp Angle Adj FP Short Ext Classic Release Left | 1        |
| 1a, 1b, 2-24, 25a, 26a, 27a, 28a, 29-31, 41b, 42a, 43-46                    | 504506      | PRO ELR Assembly 15/16 Comp Angle Adj FP Long Ext Classic Release PAIR  | 1        |
| 1a, 1b, 2-24, 25a, 26a, 27a, 28a, 29-31, 41b, 42b, 43-46                    | 504507      | PRO ELR Assembly 17/18 Comp Angle Adj FP Long Ext Classic Release PAIR  | 1        |
| 1a, 1b, 2-24, 25a, 26a, 27a, 28a, 29-31, 41b, 42c, 43-46                    | 504508      | PRO ELR Assembly 19-22 Comp Angle Adj FP Long Ext Classic Release PAIR  | 1        |
| 1a, 2-24, 25a, 26a, 27a, 28a, 29-31, 41b, 42a, 43-46                        | 504494      | PRO ELR Assembly 15/16 Comp Angle Adj FP Long Ext Classic Release Right | 1        |
| 1a, 2-24, 25a, 26a, 27a, 28a, 29-31, 41b, 42b, 43-46                        | 504495      | PRO ELR Assembly 17/18 Comp Angle Adj FP Long Ext Classic Release Right | 1        |
| 1a, 2-24, 25a, 26a, 27a, 28a, 29-31, 41b, 42c, 43-46                        | 504496      | PRO ELR Assembly 19-22 Comp Angle Adj FP Long Ext Classic Release Right | 1        |
| 1b, 2-24, 25a, 26a, 27a, 28a, 29-31, 41b, 42a, 43-46                        | 504482      | PRO ELR Assembly 15/16 Comp Angle Adj FP Long Ext Classic Release Left  | 1        |
| 1b, 2-24, 25a, 26a, 27a, 28a, 29-31, 41b, 42b, 43-46                        | 504483      | PRO ELR Assembly 17/18 Comp Angle Adj FP Long Ext Classic Release Left  | 1        |
| 1b, 2-24, 25a, 26a, 27a, 28a, 29-31, 41b, 42c, 43-46                        | 504484      | PRO ELR Assembly 19-22 Comp Angle Adj FP Long Ext Classic Release Left  | 1        |
| 1a, 1b, 2-24, 25b, 26a, 27a, 28a, 29-31, 32a, 32b, 33, 34a, 34b, 35-40, 41a | 504544      | PRO ELR Assembly 14 Angle Adj FP Short Ext Classic Release PAIR         | 1        |
| 1a, 1b, 2-24, 25a, 26a, 27a, 28a, 29-31, 32a, 32b, 34a, 33, 34b, 35-40, 41a | 504545      | PRO ELR Assembly 15 Angle Adj FP Short Ext Classic Release PAIR         | 1        |

| Item Number   | Part Number | Description   | Quantity |
|---|-------------|---|----------|
| 1a, 1b, 2-24, 25a, 26a, 27a, 28a, 29-31, 32c, 32d, 33, 34a, 34b, 35-40, 41a | 504546      | PRO ELR Assembly 16/17 Angle Adj FP Short Ext Classic Release PAIR  | 1        |
| 1a, 1b, 2-24, 25a, 26a, 27a, 28a, 29-31, 32e, 32f, 33, 34a, 34b, 35-40, 41a | 504547      | PRO ELR Assembly 18-24 Angle Adj FP Short Ext Classic Release PAIR  | 1        |
| 1a, 2-24, 25b, 26a, 27a, 28a, 29-31, 32b, 33, 34a, 35-40, 41a               | 504528      | PRO ELR Assembly 14 Angle Adj FP Short Ext Classic Release Right    | 1        |
| 1a, 2-24, 25a, 26a, 27a, 28a, 29-31, 32b, 33, 34a, 35-40, 41a               | 504529      | PRO ELR Assembly 15 Angle Adj FP Short Ext Classic Release Right    | 1        |
| 1a, 2-24, 25a, 26a, 27a, 28a, 29-31, 32d, 33, 34a, 35-40, 41a               | 504530      | PRO ELR Assembly 16/17 Angle Adj FP Short Ext Classic Release Right | 1        |
| 1a, 2-24, 25a, 26a, 27a, 28a, 29-31, 32f, 33, 34a, 35-40, 41a               | 504531      | PRO ELR Assembly 18-24 Angle Adj FP Short Ext Classic Release Right | 1        |
| 1b, 2-24, 25b, 26a, 27a, 28a, 29-31, 32a, 33, 34b, 35-40, 41a               | 504512      | PRO ELR Assembly 14 Angle Adj FP Short Ext Classic Release Left     | 1        |
| 1b, 2-24, 25a, 26a, 27a, 28a, 29-31, 32a, 33, 34b, 35-40, 41a               | 504513      | PRO ELR Assembly 15 Angle Adj FP Short Ext Classic Release Left     | 1        |
| 1b, 2-24, 25a, 26a, 27a, 28a, 29-31, 32c, 33, 34b, 35-40, 41a               | 504514      | PRO ELR Assembly 16/17 Angle Adj FP Short Ext Classic Release Left  | 1        |
| 1b, 2-24, 25a, 26a, 27a, 28a, 29-31, 32e, 33, 34b, 35-40, 41a               | 504515      | PRO ELR Assembly 18-24 Angle Adj FP Short Ext Classic Release Left  | 1        |
| 1a, 1b, 2-24, 25b, 26a, 27a, 28a, 29-31, 32a, 32b, 33, 34a, 34b, 35-40, 41b | 504552      | PRO ELR Assembly 14 Angle Adj FP Long Ext Classic Release PAIR      | 1        |

| Item Number   | Part Number | Description  | Quantity |
|---|-------------|--|----------|
| 1a, 1b, 2-24, 25a, 26a, 27a, 28a, 29-31, 32a, 32b, 34a, 33, 34b, 35-40, 41b | 504553      | PRO ELR Assembly 15 Angle Adj FP Long Ext Classic Release PAIR     | 1        |
| 1a, 1b, 2-24, 25a, 26a, 27a, 28a, 29-31, 32c, 32d, 33, 34a, 34b, 35-40, 41b | 504554      | PRO ELR Assembly 16/17 Angle Adj FP Long Ext Classic Release PAIR  | 1        |
| 1a, 1b, 2-24, 25a, 26a, 27a, 28a, 29-31, 32e, 32f, 33, 34a, 34b, 35-40, 41b | 504555      | PRO ELR Assembly 18-24 Angle Adj FP Long Ext Classic Release PAIR  | 1        |
| 1a, 2-24, 25b, 26a, 27a, 28a, 29-31, 32b, 33, 34a, 35-40, 41b               | 504537      | PRO ELR Assembly 14 Angle Adj FP Long Ext Classic Release Right    | 1        |
| 1a, 2-24, 25a, 26a, 27a, 28a, 29-31, 32b, 33, 34a, 35-40, 41b               | 504538      | PRO ELR Assembly 15 Angle Adj FP Long Ext Classic Release Right    | 1        |
| 1a, 2-24, 25a, 26a, 27a, 28a, 29-31, 32d, 33, 34a, 35-40, 41b               | 504539      | PRO ELR Assembly 16/17 Angle Adj FP Long Ext Classic Release Right | 1        |
| 1a, 2-24, 25a, 26a, 27a, 28a, 29-31, 32f, 33, 34a, 35-40, 41b               | 504540      | PRO ELR Assembly 18-24 Angle Adj FP Long Ext Classic Release Right | 1        |
| 1b, 2-24, 25b, 26a, 27a, 28a, 29-31, 32a, 33, 34b, 35-40, 41b               | 504520      | PRO ELR Assembly 14 Angle Adj FP Long Ext Classic Release Left     | 1        |
| 1b, 2-24, 25a, 26a, 27a, 28a, 29-31, 32a, 33, 34b, 35-40, 41b               | 504521      | PRO ELR Assembly 15 Angle Adj FP Long Ext Classic Release Left     | 1        |
| 1b, 2-24, 25a, 26a, 27a, 28a, 29-31, 32c, 33, 34b, 35-40, 41b               | 504522      | PRO ELR Assembly 16/17 Angle Adj FP Long Ext Classic Release Left  | 1        |
| 1b, 2-24, 25a, 26a, 27a, 28a, 29-31, 32e, 33, 34b, 35-40, 41b               | 504523      | PRO ELR Assembly 18-24 Angle Adj FP Long Ext Classic Release Left  | 1        |

| Item Number                      | Part Number | Description  | Quantity |
|----------------------------------|-------------|--|----------|
| 1a, 2-22, 26a, 27a, 28a, 29 - 31 | 506825      | PRO ELR Upper Assembly with Classic Hanger Latch Release Right | 1        |
| 1b, 2-22, 26a, 27a, 28a, 29 - 31 | 506826      | PRO ELR Upper Assembly with Classic Hanger Latch Release Left  | 1        |
| 26a, 27a, 28a, 29 - 31           | 003416      | Classic Hanger Latch Assembly, Right                           | 1        |
| 26a, 27a, 28a, 29 - 31           | 003417      | Classic Hanger Latch Assembly, Left                            | 1        |
| 1a, 2-20                         | 003342      | Pro ELR Upper Assembly, Right                                  | 1        |
| 1b, 2-20                         | 003343      | Pro ELR Upper Assembly, Left                                   | 1        |
| 4, 18                            | 504473      | Cover Kit, Adjustable PRO ELR                                  | 1        |
| 6-8,15                           | 504475      | Footrest Adjustment Kit, Adj PRO ELR                           | 1        |
| 1a                               | 003114      | Pro ELR Tube Weldment, Right                                   | 1        |
| 1b                               | 003115      | Pro ELR Tube Weldment, Left                                    | 1        |
| 3                                | 003121      | Side Plate, Pro ELR  | 1        |
| 4                                | 003122      | Cover, Pro ELR   | 1        |
| 5                                | 115767      | Lock Rod Assembly, Pro ELR w/ Instructions                     | 1        |
| 6                                | 003190      | Clamp, Footrest Extension                                      | 1        |
| 7                                | 003191      | Mandrel, Footrest Extension                                    | 1        |
| 8                                | 003140      | Sleeve, Footrest Extension                                     | 1        |
| 9                                | 003131      | Clevis Pin, 6mm x .64L   | 1        |
| 10                               | 003123      | Spacer, .375OD x .242ID x 1.030LG                              | 1        |
| 11                               | 000032      | Footrest Hanger Pivot Saddle                                   | 1        |
| 12                               | 100804      | Tube End Plug 1"   | 1        |
| 13                               | 000053      | Saddle 3/4"  | 4        |
| 14                               | 102822      | E-Ring, M6, YZ   | 1        |
| 15                               | 103009      | M8 x 12 Dog Pt Set Screw Blk ZN                                | 1        |
| 16                               | 100673      | M8 x 45 BTN SHCS BLKZC   | 1        |
| 17                               | 102940      | M6 x 38 HHCS, 8mm THD, BLK ZN                                  | 6        |
| 18                               | 102800      | M4 x 8mm SHCS Blk Zn   | 2        |
| 19                               | 100659      | M8 Nylock Nut Blk Zn   | 1        |

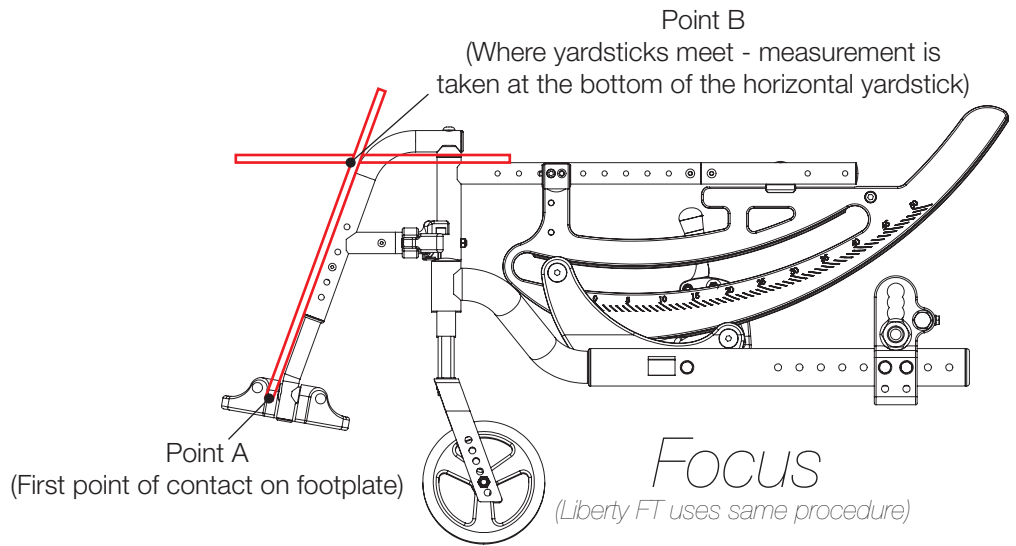
| Item Number | Part Number | Description   | Quantity |
|-------------|-------------|---|----------|
| 20          | 100658      | M6 Nylock Nut Blk Zn  | 6        |
| 21          | 000073      | M5 x 24 Threaded Barrel   | 1        |
| 22          | 100669      | M5 x 10 BTN SHCS BLKZC w/Patch  | 2        |
| 23          | 003344      | Pro ELR Calf Pad Bracket Assembly                                       | 1        |
| 24          | 101823      | M6 x 20 HHCS Blk Zn   | 2        |
| 25a         | 101585      | Calf Pad  | 1        |
| 25b         | 101470      | Pediatric Calf Pad  | 1        |
| 28a         | 001158      | Lever Swing Away Short  | 1        |
| 29          | 000119      | Hanger Spring   | 1        |
| 30          | 001374      | M5 x 40 BHCS P/THD BLKZC  | 1        |
| 31          | 100657      | M5 Nylock Nut Blk Zn  | 1        |
| 32a         | 000105      | Footplate Angle Adjustable 14-15" Wide<br>CAT/TILT Left (Std ELR Right) | 1        |
| 32b         | 000106      | Footplate Angle Adjustable 14-15" Wide<br>CAT/TILT Right (Std ELR Left) | 1        |
| 32c         | 000107      | Footplate Angle Adjustable 16-17" Wide<br>CAT/TILT Left (Std ELR Right) | 1        |
| 32d         | 000108      | Footplate Angle Adjustable 16-17" Wide<br>CAT/TILT Right (Std ELR Left) | 1        |
| 32e         | 000109      | Footplate Angle Adjustable 18-24" Wide<br>CAT/TILT Left (Std ELR Right) | 1        |
| 32f         | 000110      | Footplate Angle Adjustable 18-24" Wide<br>CAT/TILT Right (Std ELR Left) | 1        |
| 33          | 100502      | Angle Adj Footplate Clamp 2"  | 1        |
| 34a         | 000047      | Footplate Angle Adjustable Casting 3/4 Right                            | 1        |
| 34b         | 000049      | Footplate Angle Adjustable Casting 3/4" Left                            | 1        |
| 35          | 101472      | M6 x 45 SHCS BLK ZC   | 1        |
| 36          | 101455      | M6 Belleville Washer (.252 x .551 x .050)                               | 1        |
| 37          | 000428      | Wear Washer   | 1        |
| 38          | 100746      | M6 Flat Washer Blk Zn   | 1        |
| 39          | 120030      | M6 Top Lock Nut   | 1        |
| 40          | 100662      | M6 x 25 FSHCS BLK ZC  | 2        |
| 41a         | 003150      | Pro ELR Extension Tube Short  | 1        |



| Item Number | Part Number | Description   | Quantity |
|-------------|-------------|---|----------|
| 41b         | 003151      | Pro ELR Extension Tube Long   | 1        |
| 42a         | 003173      | Composite Angle Adjustable Footplate Small 15-16" Wide  | 1        |
| 42b         | 003174      | Composite Angle Adjustable Footplate Medium 17-18" Wide   | 1        |
| 42c         | 003175      | Composite Angle Adjustable Footplate Large 19-24" Wide  | 1        |
| 43-46       | 003185      | Extension Tube Hardware Assembly with Ext Tube Plug for Composite Angle Adjustable Footplate<br><i>The Extension Tube Plug is not shown in the diagram.</i> | 1        |
| 47a         | 100537      | Footplate Composite 14-15" Wide CAT/TILT  | 1        |
| 47b         | 100540      | Footplate Composite 16-17" Wide CAT/TILT  | 1        |
| 47c         | 100542      | Footplate Composite 18-24" Wide CAT/TILT  | 1        |
| 48          | 101849      | M6 x 65 SHCS Blk Zn   | 1        |

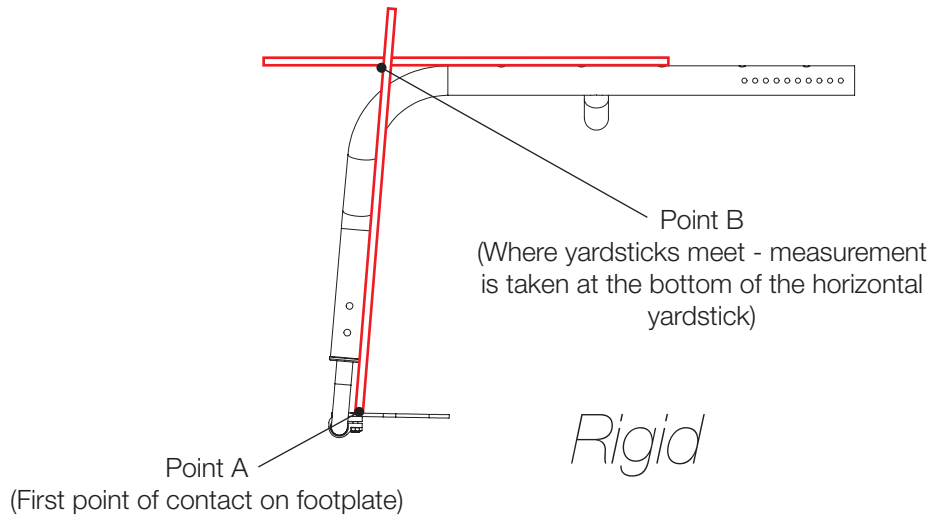
Distance between Point A and Point B = Footplate Length

**NOTE:** The yardstick on the top plane of the seat frame must lie flat against frame. The yardstick going from the footplate to the second yardstick must be square against the hanger tube.



Distance between Point A and Point B = Footplate Length

**NOTE:** The yardstick on the top plane of the seat frame must lie flat against frame. The yardstick going from the footplate to the second yardstick must be square against the front tube.



Distance between Point A and Point B = Footplate Length

**NOTE:** The yardstick on the top plane of the hanger must lie flat against hanger. The yardstick going from the footplate to the second yardstick must be square against the hanger tube.

